

**TYPE “FM-100”  
manometer plug valve**



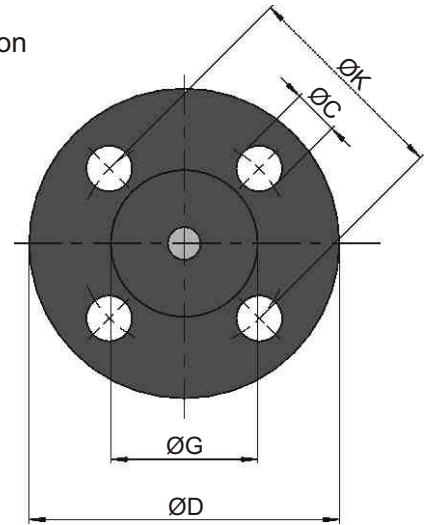
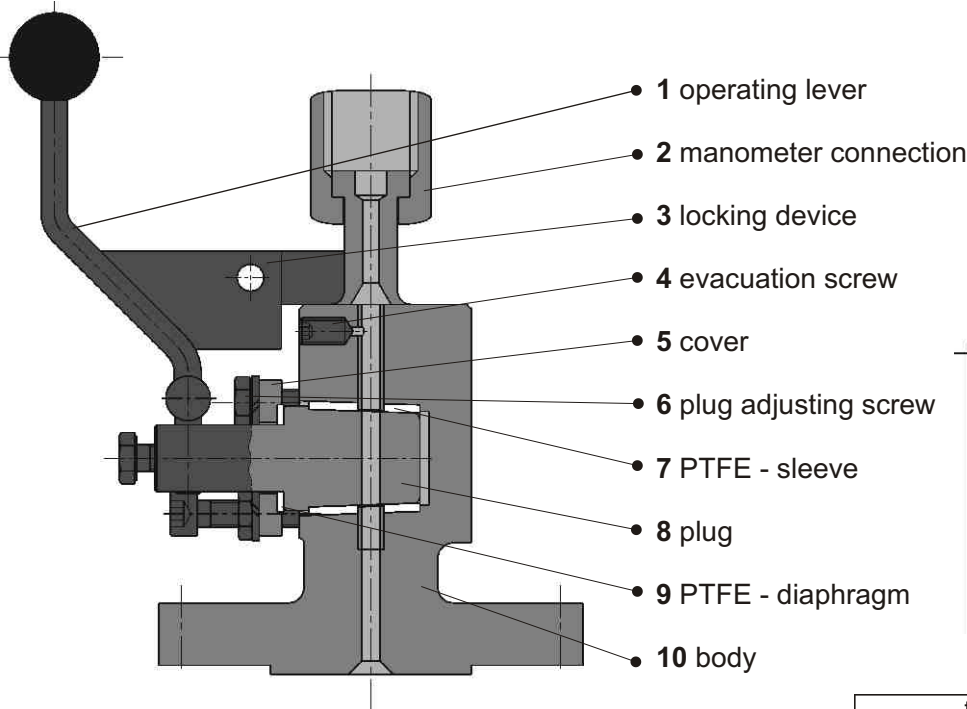
3.3

- cavity and maintenance free
- lockable
- safe-guarded ventilation for the pressure relief of the manometer
- easy accessible adjustment of the plug
- rating up to PN 160
- static eliminator (optional)
- temperature range from -90°C to +240°C
- material 1.4571 (other materials on request)



# Typ "FM-100"

## manometer plug valve



The standard AZ-Manometer Plug Valve is available in two sizes **DN15** and **DN25**. It also has a locking device for the use of a padlock or lead sealing.

**Manometer connection:** G 1/2"  
**Test connection:** M20x1,5

**Material:** Body and operating lever stainless steel 1.4571.

**Available materials:**

Inconel, Hastelloy, Nickel, Monel, Zirconium.  
 Other materials on request.

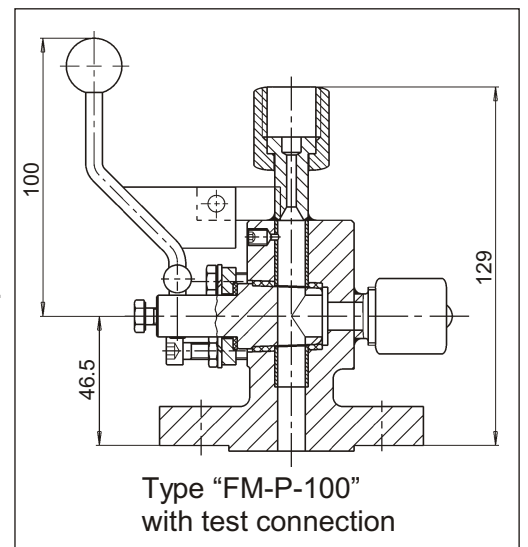
**Other connections:**

1/2" and 1" ANSI 150 or ANSI 300  
 Manometer connection G 1/4", other connections on request.  
 Flange dimensions see also our leaflet No. 1.1

**Range of applications:**

Mineral oil products, neutral gases and liquids, solutions, corrosive gases and liquids.

flange dimensions "FM-100"						
	DN	PN	ØG	ØD	ØK	ØC
DIN	15	40	45	95	65	4x14
	25	10	68	115	85	4x14
ANSI	1/2"	150	35,1	88,9	60,5	4x15,7
	1"	300	35,0	95,2	66,5	4x15,7
		150	50,8	98,6	69,9	4x15,7
		300	50,8	117,3	82,5	4x19,0



Operating datas: • Depending on working pressure and material, the temperature range goes from -90°C up to +240°C. Higher temperatures on request.  
 • working pressure up to 160 bar.

**Pressure-Temperature-Table**

P [bar]	160	160	160	160	160	150	140	120	100	50	20	10
T [°C]	-90	-40	0	50	100	120	140	160	180	200	220	240

**Example for ordering:**

FM-100-DN15-PN40-1.4571  
 FM-100 = Type, DN15= Size,  
 PN40= nominal pressure, 1.4571=body material



**AZ-Armaturen GmbH**  
 D-78087 Mönchweiler  
 Waldstraße 7  
 Telefon +49 (0)7721 7504-0  
 Telefax +49 (0)7721 7504-13  
 e-mail: info@az-armaturen.de  
<http://www.az-armaturen.de>