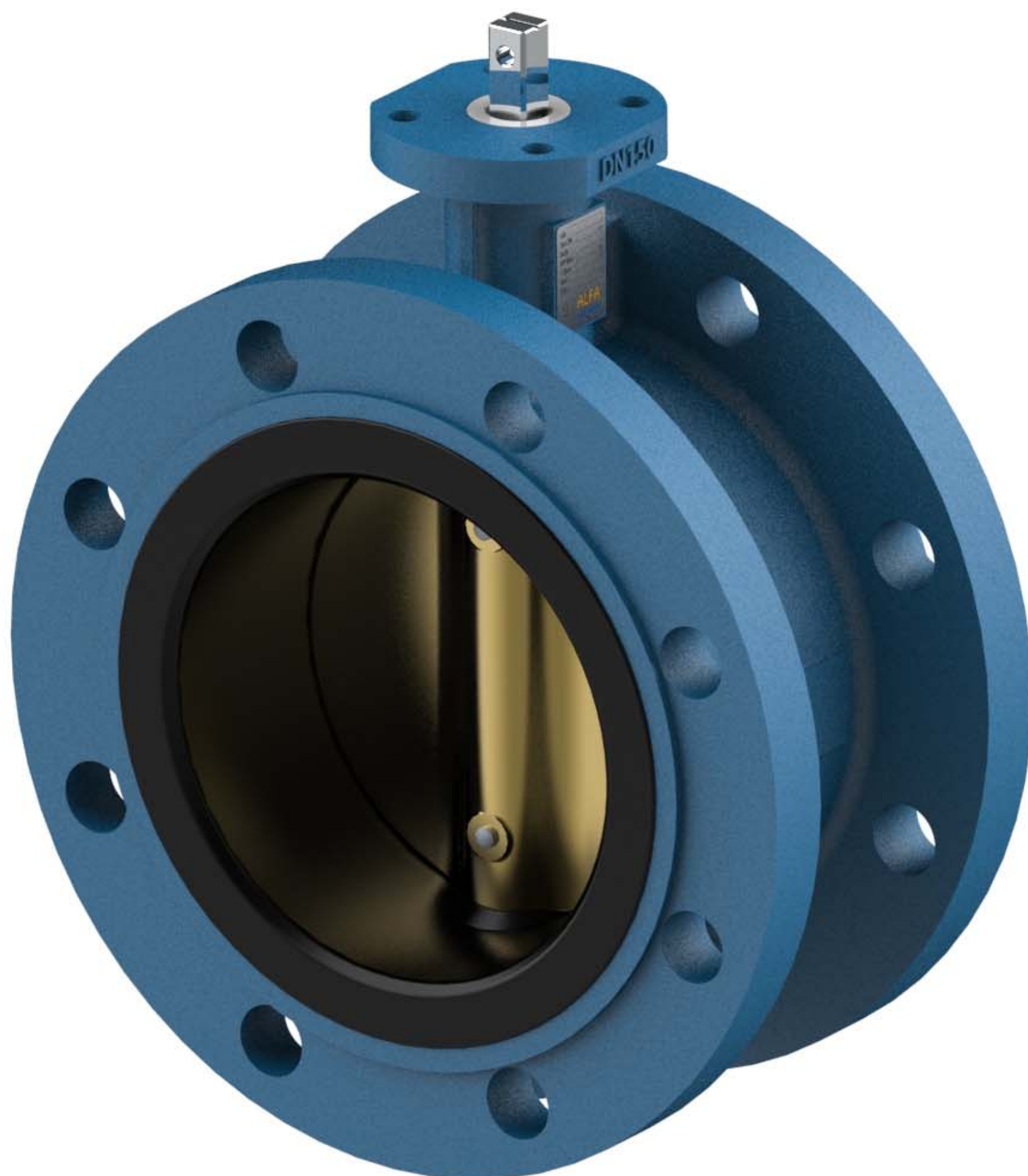
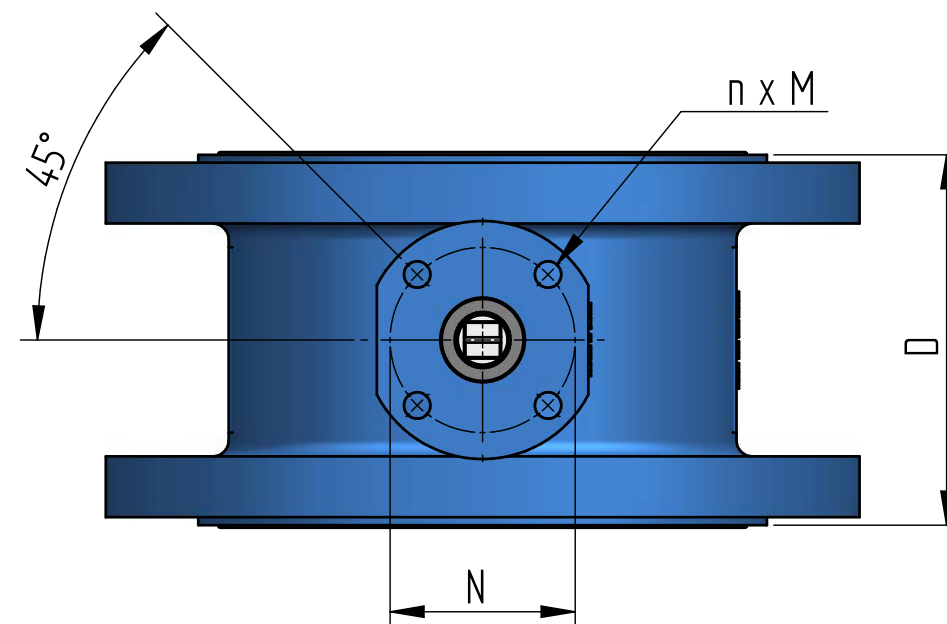
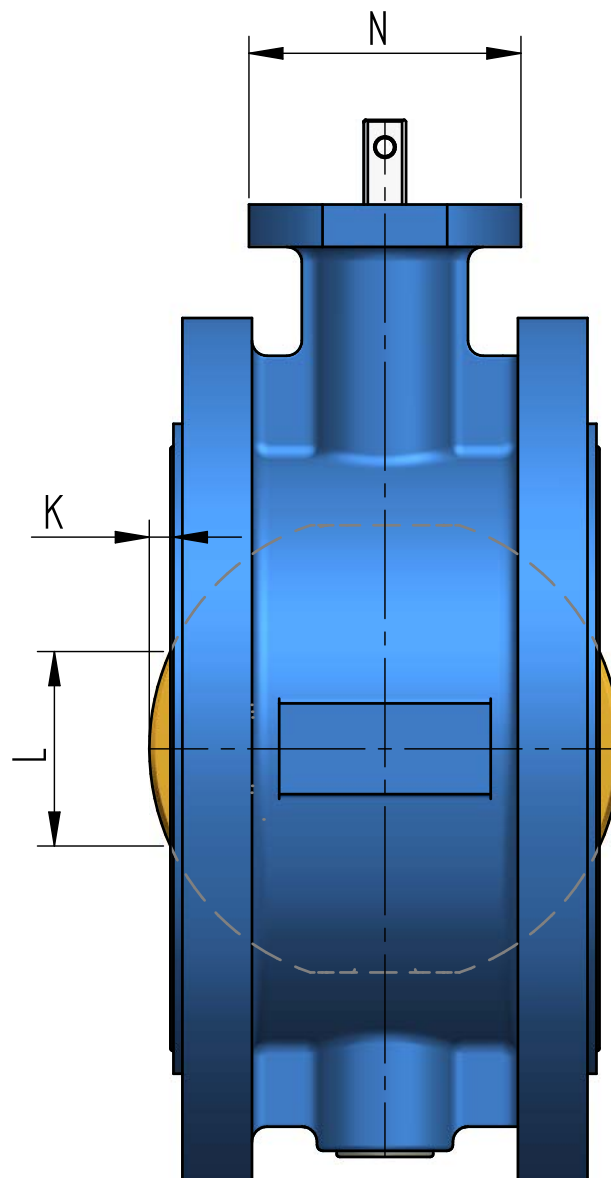
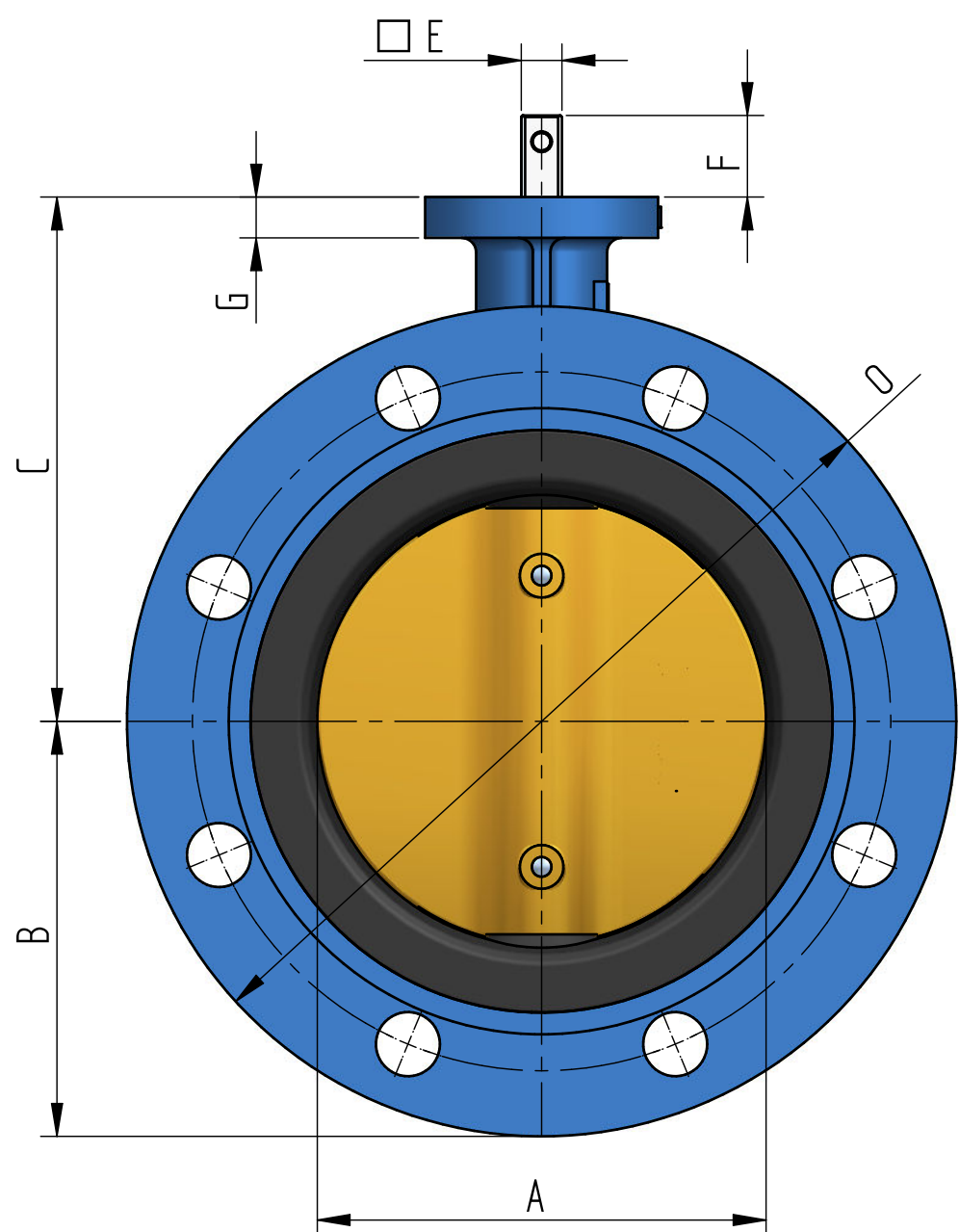


# DOUBLE FLANGED TYPE S46 BARE SHAFT



# DOUBLE FLANGED TYPE S46 - BARE SHAFT DN40 - DN150

Size DN 40 to DN 150, Design EN593  
Face to face acc. EN558.1 series 13  
Flange connections: DIN PN6-10-16-25  
ANSI B 16.5 Cl. 150#, JIS B 2211 5K, 10K  
Temperature -40/+250°C  
Various pressure ratings up to 25 bar  
Top flange according ISO 5211  
Vacuum to  $1 \cdot 10^{-3}$  0.2 Torr absolute

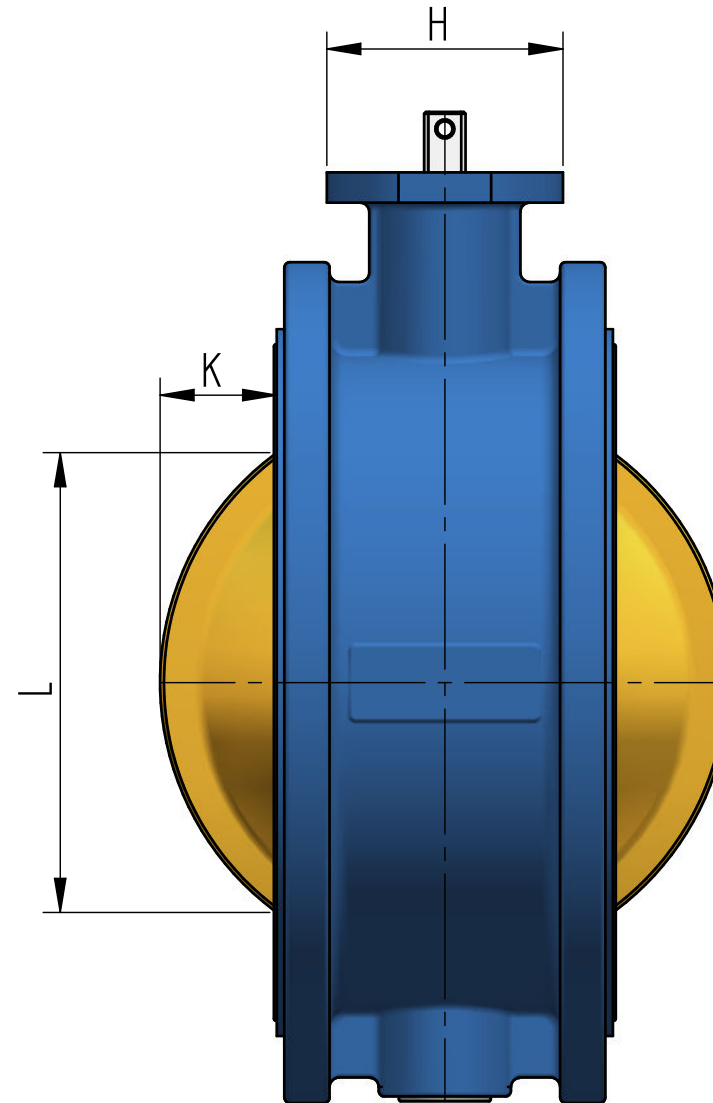
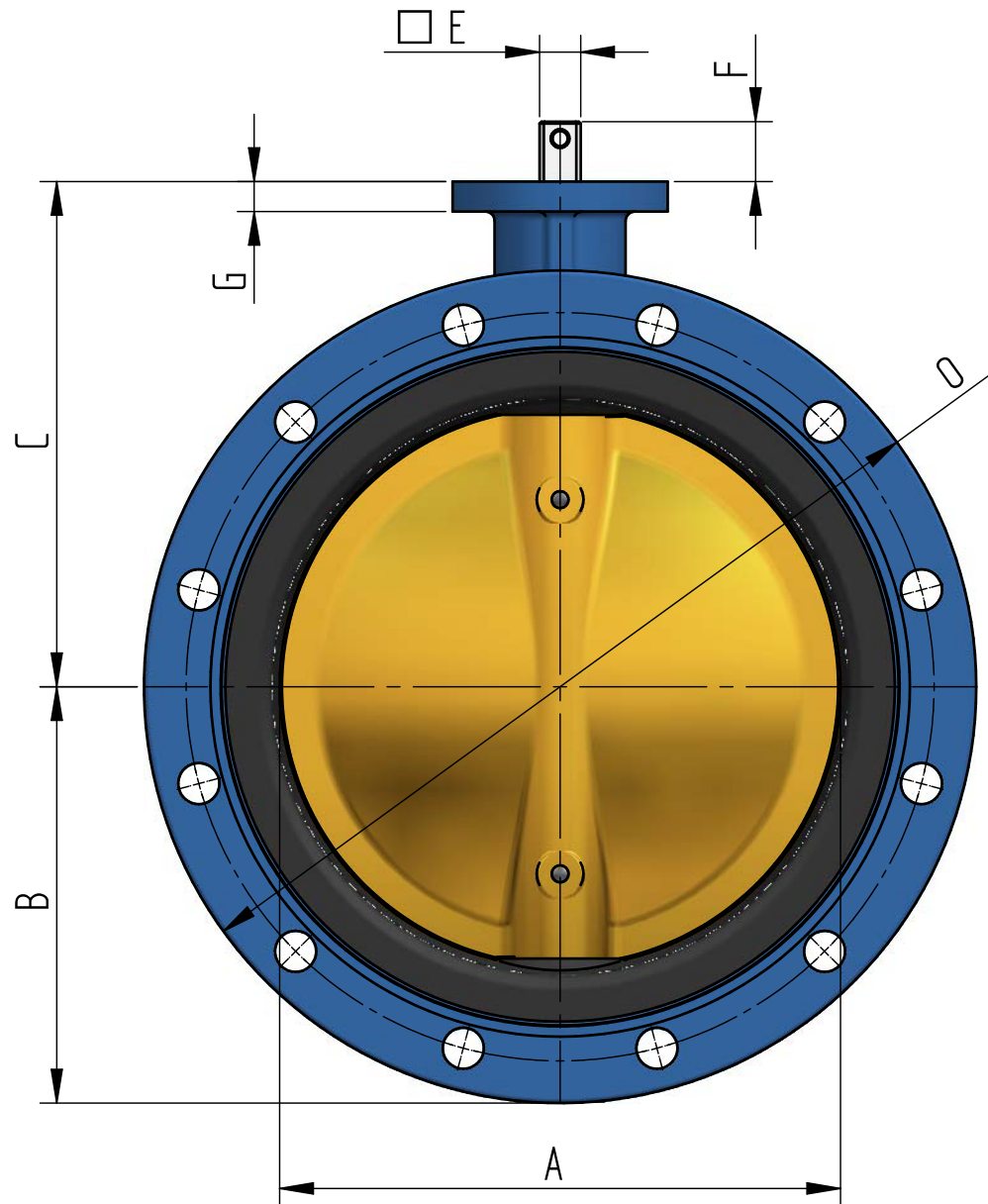


Standard available materials :			
BODY	DISC	SHAFT	SEAT
EN-JS1030	BS 1400 AB2	SS 1.4122	NBR -15°C / +80°C
A216 WCB	EN-JS1030	SS 431	EPDM -23°C / +120°C
SS 1.4408	SS 1.4408	SS 1.4462	Viton -0°C / +200°C
BS 1400 AB2	SD 2507	SD F53	Silicone -40°C / +250°C

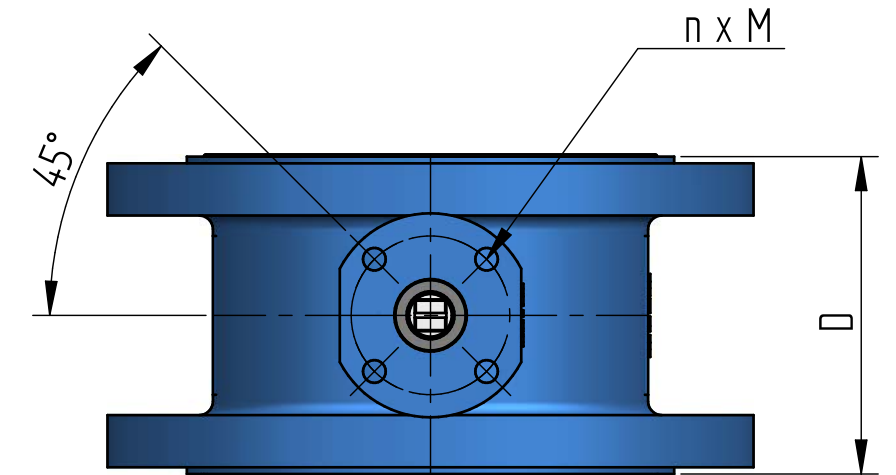
Size	A	B	C	D	E	F	G	Topflange				K	L	Ø	Weight ± Kg
								ISO 5211	H	N	n x M				
DN 40	41	75.0	113	106	[ ] 11	26	12	F07	Ø90	Ø70	4 x Ø10	--	--	150	5.5
DN 50	52	82.5	118	108	[ ] 11	26	12	F07	Ø90	Ø70	4 x Ø10	--	--	165	7.5
DN 65	63	92.5	126	112	[ ] 11	26	13	F07	Ø90	Ø70	4 x Ø10	--	--	185	9.0
DN 80	78	100.0	133	114	[ ] 11	26	14	F07	Ø90	Ø70	4 x Ø10	--	--	200	10.7
DN 100	103	110.0	147	127	[ ] 11	26	14	F07	Ø90	Ø70	4 x Ø10	--	--	220	13.6
DN 125	125	125.0	160	140	[ ] 14	28	14	F07	Ø90	Ø70	4 x Ø10	--	--	250	19.3
DN 150	155	142.5	180	140	[ ] 14	28	14	F07	Ø90	Ø70	4 x Ø10	8	69	285	22.7

# DOUBLE FLANGED TYPE S46 - BARE SHAFT DN200 - DN400

Size DN 200 to DN 400, Design EN593  
Face to face acc. EN558.1 series 13  
Flange connections: DIN PN6-10-16-25  
ANSI B 16.5 Cl. 150#, JIS B 2211 5K, 10K  
Temperature -40/+250°C  
Various pressure ratings up to 25 bar  
Top flange according ISO 5211  
Vacuum to 1\*10<sup>-3</sup> 0.2 Torr absolute

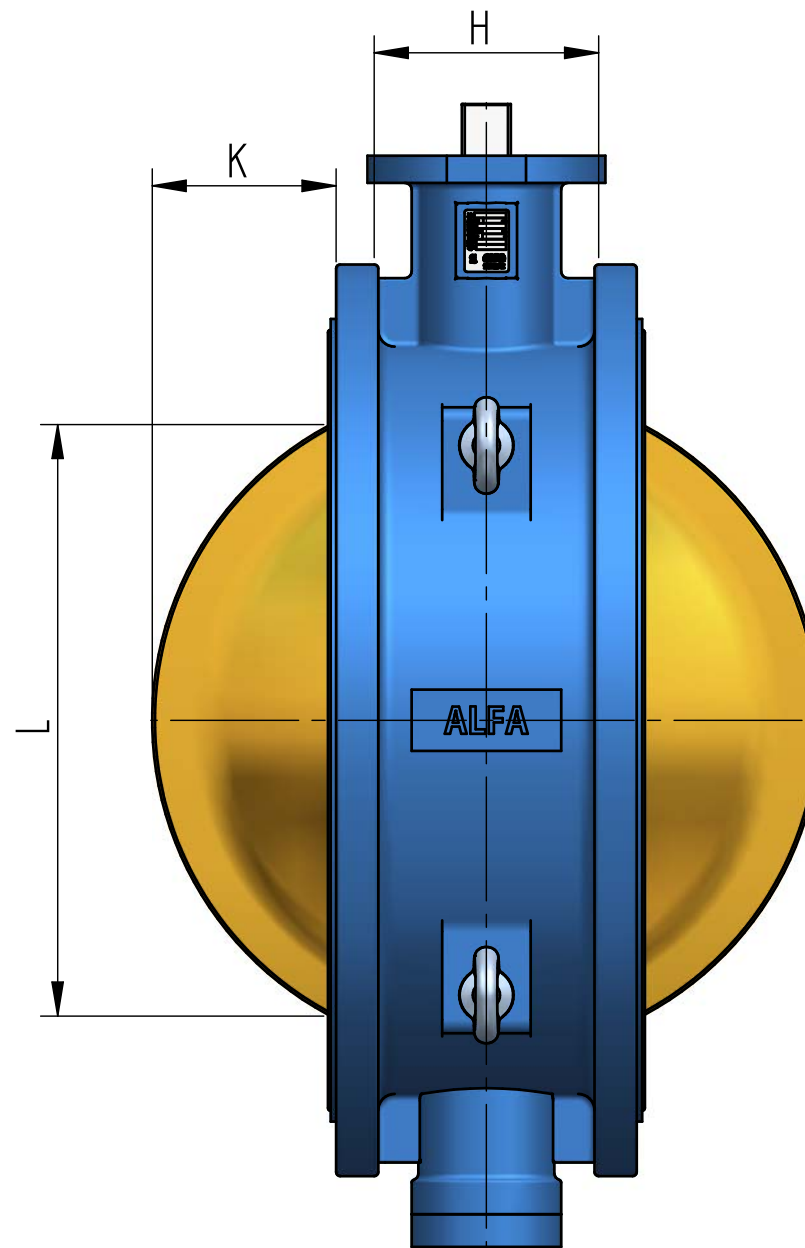
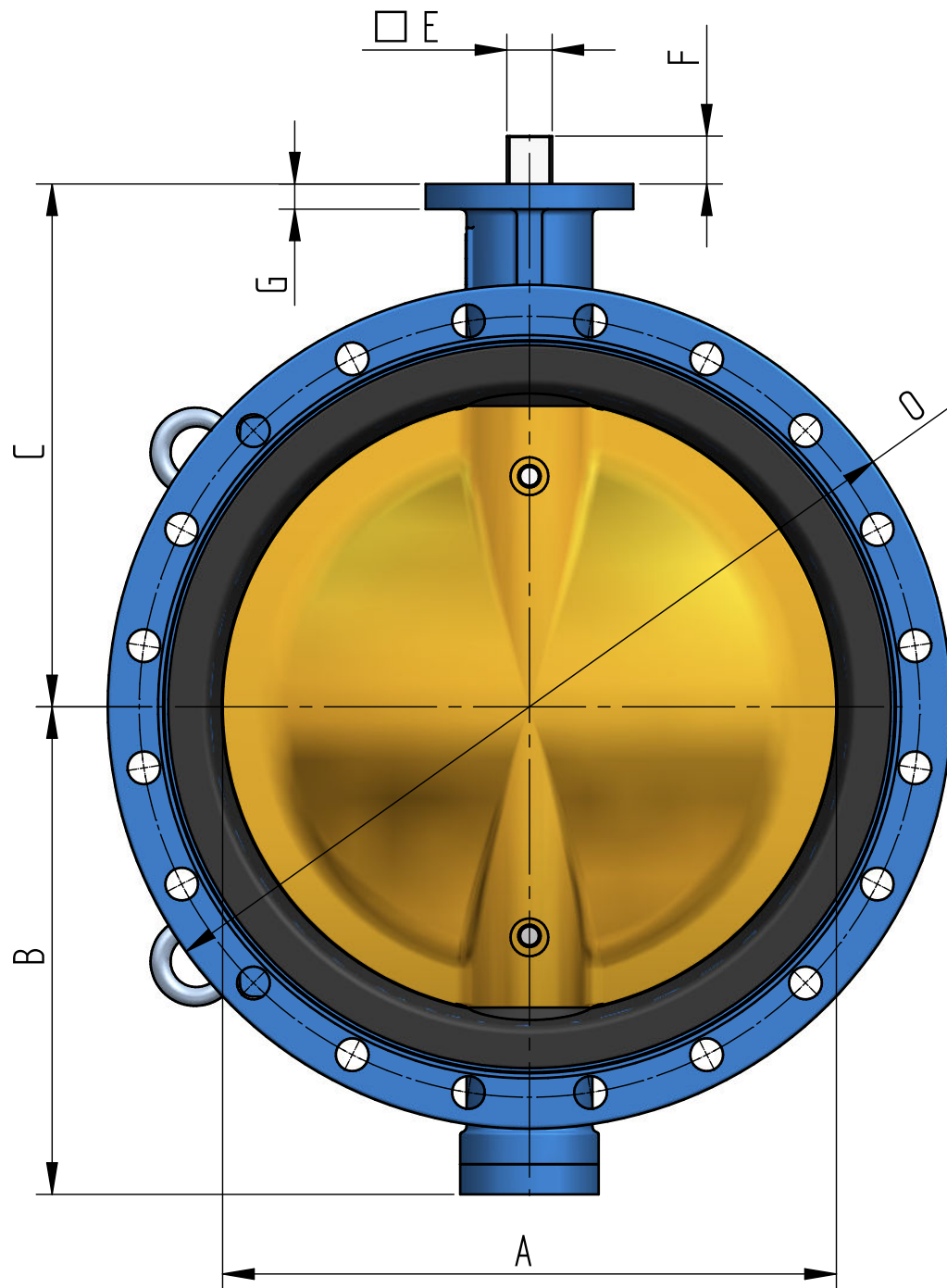


Standard available materials :			
BODY	DISC	SHAFT	SEAT
EN-JS1030	BS 1400 AB2	SS 1.4122	NBR -15°C / +80°C
A216 WCB	EN-JS1030	SS 431	EPDM -23°C / +120°C
SS 1.4408	SS 1.4408	SS 1.4462	Viton -0°C / +200°C
BS 1400 AB2	SD 2507	SD F53	Silicone -40°C / +250°C



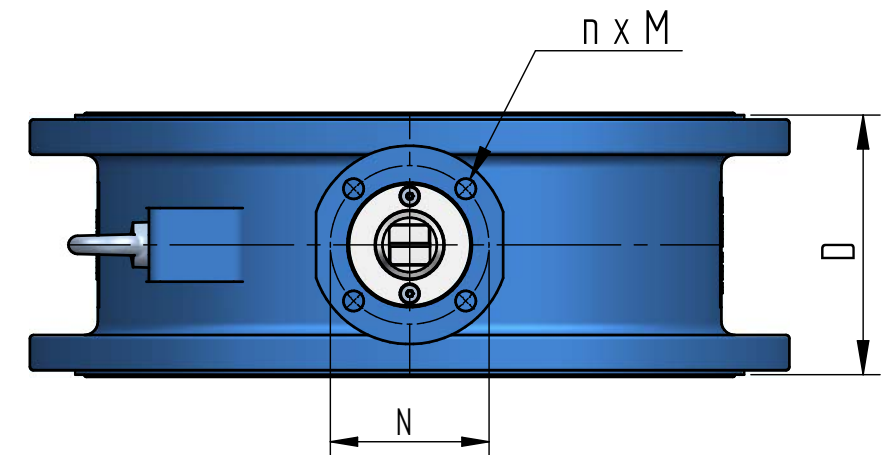
Size	A	B	C	D	E	F	G	Topflange				K	L	O	Weight ± Kg
								ISO 5211	H	N	n x M				
DN 200	201	170.0	204	152	[ ] 17	30	14	F07	∅90	∅70	4 x ∅10	25	134	340	32.4
DN 250	249	197.5	245	165	[ ] 22	30	15	F10	∅125	∅102	4 x ∅12	43	189	395	49.4
DN 300	302	222.5	270	178	[ ] 22	32	16	F10	∅125	∅102	4 x ∅12	62	244	445	58.6
DN 350	340	252.5	315	190	[ ] 27	29	20	F12	∅150	∅125	4 x ∅14	72	275	505	89.2
DN 400	397	282.5	350	216	[ ] 27	29	20	F12	∅150	∅125	4 x ∅14	87	325	565	109.3

# DOUBLE FLANGED TYPE S46 - BARE SHAFT DN450 - DN600



Size DN 450 to DN 600, Design EN593  
Face to face acc. EN558.1 series 13  
Flange connections: DIN PN6-10-16-25  
ANSI B 16.5 Cl. 150#, JIS B 2211 5K, 10K  
Temperature -40/+250°C  
Various pressure ratings up to 25 bar  
Top flange according ISO 5211  
Vacuum to  $1 \cdot 10^{-3}$  0.2 Torr absolute

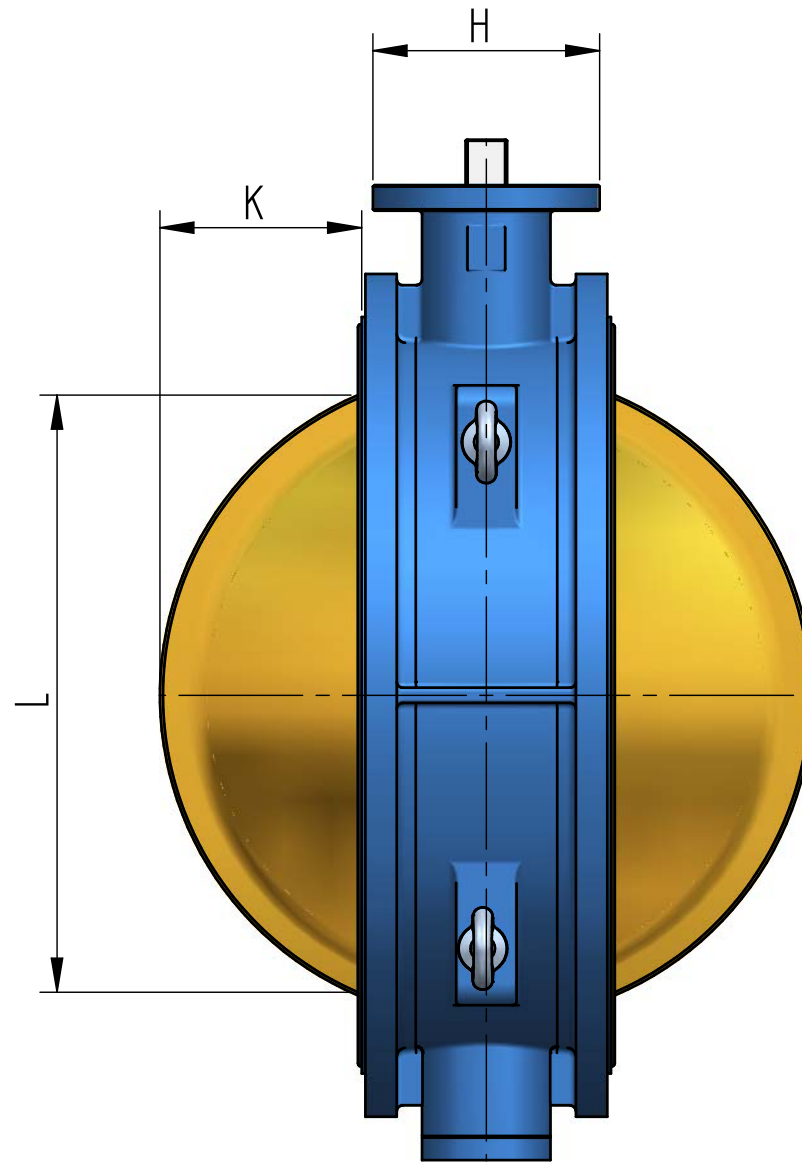
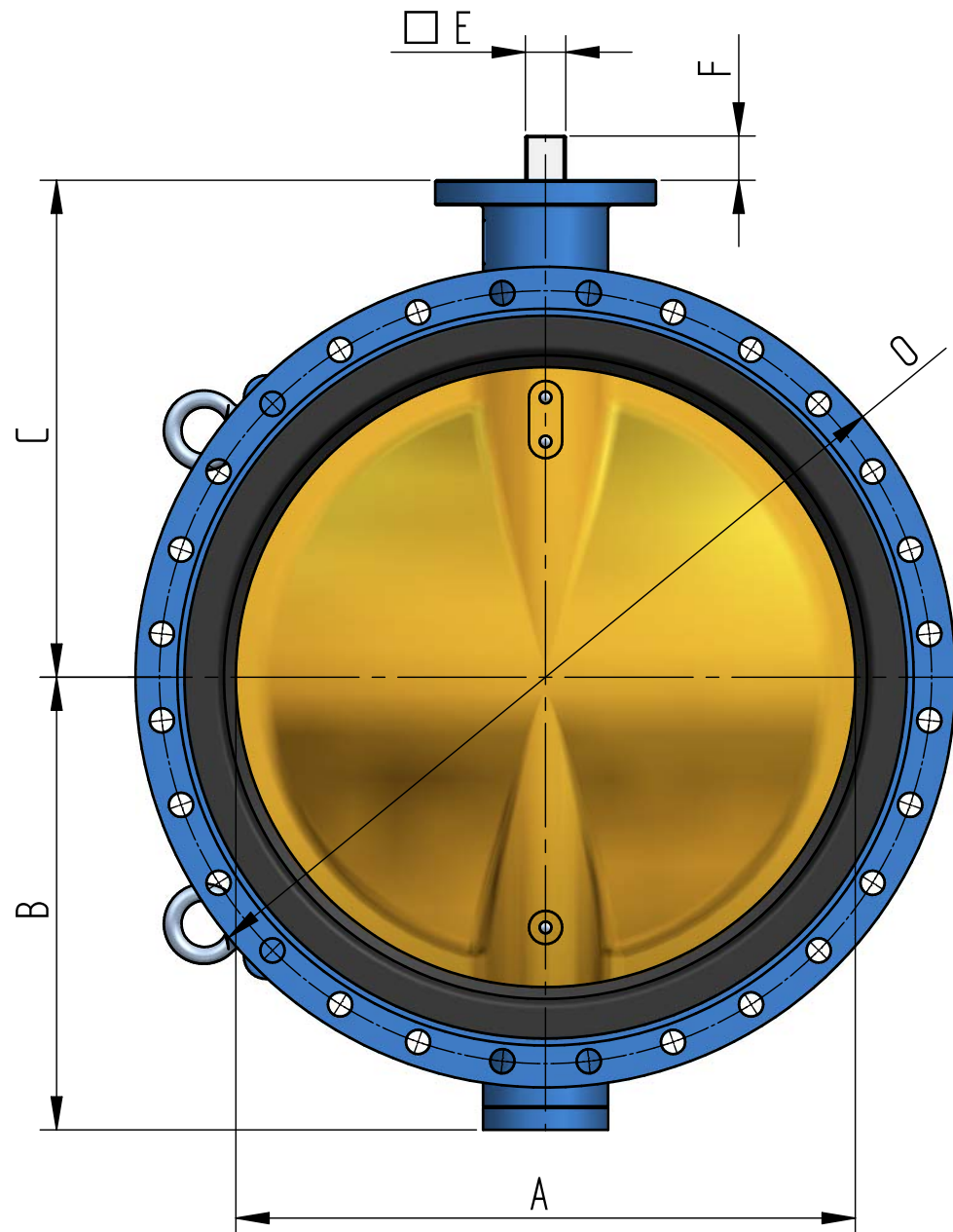
Standard available materials :			
BODY	DISC	SHAFT	SEAT
EN-JS1030	BS 1400 AB2	SS 1.4122	NBR -15°C / +80°C
A216 WCB	EN-JS1030	SS 431	EPDM -23°C / +120°C
SS 1.4408	SS 1.4408	SS 1.4462	Viton -0°C / +200°C
BS 1400 AB2	SD 2507	SD F53	Silicone -40°C / +250°C



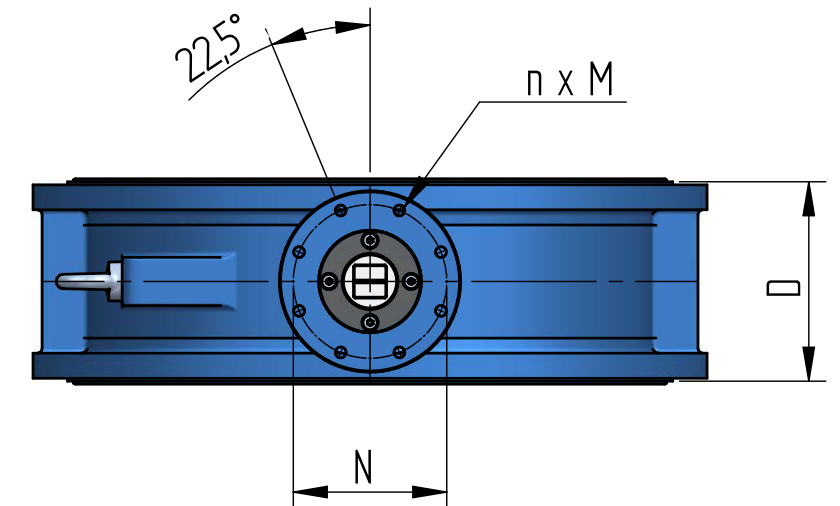
Size	A	B	C	D	E	F	G	Topflange				K	L	O	Weight ± Kg
								ISO 5211	H	N	n x M				
DN 450	438	353	375	222	[ ] 36	38	20	F14	∅175	∅140	4 x ∅18	109	381	615	135
DN 500	489	387	415	229	[ ] 36	38	20	F14	∅175	∅140	4 x ∅18	131	435	670	172
DN 600	590	453	562	267	[ ] 46	48	25	F16	∅210	∅165	4 x ∅22	163	529	780	256

# DOUBLE FLANGED TYPE S46 - BARE SHAFT DN700 - DN1200

Size DN 700 to DN 1200, Design EN593  
Face to face acc. EN558.1 series 13  
Flange connections: DIN PN6-10-16-25  
ANSI B 16.5 Cl. 150#, JIS B 2211 5K, 10K  
Temperature -40/+250°C  
Various pressure ratings up to 16 bar  
Top flange according ISO 5211  
Vacuum to  $1 \cdot 10^{-3}$  0.2 Torr absolute



Standard available materials :			
BODY	DISC	SHAFT	SEAT
EN-JS1030	BS 1400 AB2	SS 1.4122	NBR -15°C / +80°C
A216 WCB	EN-JS1030	SS 431	EPDM -23°C / +120°C
SS 1.4408	SS 1.4408	SS 1.4462	Viton -0°C / +200°C
BS 1400 AB2	SD 2507	SD F53	Silicone -40°C / +250°C



Size	A	B	C	D	E	F	G	Topflange				K	L	O	Weight ± Kg
								ISO 5211	H	N	n x M				
DN 700	692	491	560	292	[ ] 46	50	25	F16	ø210	ø165	4 x ø22	202	631	895	350
DN 800	792	550	620	318	[ ] 55	55	30	F25	ø300	ø254	8 x ø18	238	728	1055	540
DN 900	861	615	675	330	[ ] 55	60	30	F25	ø300	ø254	8 x ø18	267	799	1115	650
DN 1000	961	670	735	410	[ ] 55	60	30	F25	ø300	ø254	8 x ø18	277	873	1230	850
DN 1200	1156	788	917	470	[ ] 60	60	35	F30	ø350	ø298	8 x ø22	345	1059	1455	1375