

## CONCENTRIC VULCANISED BUTTERFLY VALVE S570/S640/S460/S600/S610

中线硫化蝶阀·安装使用维护手册



Installation . Operation . Maintenance



# TABLE OF CONTENTS 目录

1. TRANSPORT 运输 .....	1
2. STORAGE 存放 .....	1
3. INSPECTION 查验 .....	2
4. INSTALLATION 安装 .....	3
5. OPERATION 操作 .....	4
6. MAINTENANCE 维护 .....	5
7. DISPOSALS 处置 .....	6
8. SAFETY 安全 .....	6
9. DATA 数据 .....	7

## MANUFACTURER'S DECLARATION

We hereby declare that this product does satisfy fully the conditions set out in the Machinery Directive. The products conform to the standards of EN 558, EN 19 and ISO 5752. It is prohibited to utilize the machine in which our product has been integrated before the former has been certified as complying with the conditions of the Machinery Directive.





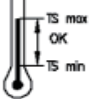



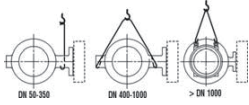
Manufacturer retains a right not to notice in advance for modification of contents in the instruction.

### 厂商声明


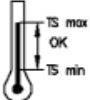



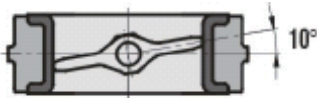
我方在此声明，该文件产品充分满足 Machinery Directive 机械认证要求，符合 EN558, EN19 以及 ISO5752 规定。相关设备未通过 Machinery Directive 机械认证要求的情况下，禁止将我方产品安装使用。

厂商保留未经通知对本说明文件内容进行修改的权利。








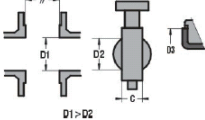


## 1. TRANSPORT 运输

	<p>Packaging 包装</p>	<p>Use original packaging 使用原包装</p>   <p>Top 向上      Fragile 易碎</p>
	<p>Environment 环境</p>	   <p>Max. 最高 40°C      30%-80% H.R. 相对湿度      Shade 防晒</p> <p>Clean 整洁</p>
	<p>When lifting 吊装</p>	<p>Use the correct equipment 使用正确吊装设备</p>  <p>DN 50-250      DN 400-1000      &gt; DN 1000</p>

## 2. STORAGE 存放

	<p>Environment 环境</p>	   <p>Max. 最高 40°C      30%-80% H.R. 相对湿度      Shade 防晒</p> <p>Clean 整洁</p>
	<p>Disc position 阀板位置</p>	 <p>10°</p>

### 3. INSPECTION 查验

	<p>Transport damage 运输损坏情况</p>	<p>Check if butterfly valve is damaged. Notify damage within 10 days after arrival 检查阀门存在损坏，应在到达 10 日内通知厂商</p>												
	<p>Application 材料适用性</p>	<p>Check if valve materials are suitable for the fluid 检查阀门材料是否适合管道流体介质</p>												
	<p>Working pressure and temperature 工作压力和温度</p>													
	<p>Suitability for pipe flanges 管法兰适配性</p>													
	<p>Dimensions of pipe flange 管法兰尺寸</p>	 <table border="1" data-bbox="773 1008 891 1084"> <thead> <tr> <th>DN</th> <th>D3 - D1</th> </tr> </thead> <tbody> <tr> <td>50 - 200</td> <td>±16 mm</td> </tr> <tr> <td>250 - 300</td> <td>±20</td> </tr> <tr> <td>350 - 750</td> <td>±30</td> </tr> <tr> <td>800 - 900</td> <td>±36</td> </tr> <tr> <td>1000 - 1400</td> <td>±40</td> </tr> </tbody> </table>	DN	D3 - D1	50 - 200	±16 mm	250 - 300	±20	350 - 750	±30	800 - 900	±36	1000 - 1400	±40
DN	D3 - D1													
50 - 200	±16 mm													
250 - 300	±20													
350 - 750	±30													
800 - 900	±36													
1000 - 1400	±40													
	<p>Sealing face of pipe flange 管道法兰密封面</p>	<p>NO: burrs, radial grooves, weld spatters, sharp edges, oil 无毛刺、径向沟槽、焊滴、锐利边缘、油液等</p>												
	<p>Valve interior 阀门内部</p>	<p>No damage and foreign matters 无损坏和异物</p>												

## 4. INSTALLATION 安装

	Valve open/close 阀门开关	 <p>Pipe      Shaft end</p> <p>Open 开 (顶视图)      Close 关 (顶视图)</p>
	If the fluid is dangerous 流体介质危险	Avoid contact 避免接触  
	In case of external fire 如果环境存在火源	Tightness not guaranteed 密封性不能保证  
	In case of explosive atmosphere 在爆炸性气体环境情况下	In case of external fire 如果环境存在火源 
	Direction of flow 流向	Bi-directional flow allowed 可双向
	Shaft position 阀杆位置	Valve shaft should be horizontal 阀杆应水平
	Flange gaskets 法兰垫片	Separate gaskets should not be used unless specifically recommended by AFFCO 使用形状完整的垫片，或其他安阀公司推荐备件
	Centering 定中心	Installation in the center of the pipe 安装于管道中心
	Fastening bolts 螺栓锁紧	Criss-cross fashion 十字交叉安装锁紧 
	Tightening torque 锁紧力矩	Until leakage stops ( metal/metal contact not required) 至无泄漏
	Welding of flanges 法兰焊接	Avoid overheating of the valve liner 避免阀座过热

## 5. OPERATION 操作

	<p>Disc to pipe clearance 阀板与管内径间隙</p>	<p>Check whether butterfly valve can be opened without touching the pipe, by careful manual operation 手动操作阀门，仔细检查阀板与管内径之间间隙；不干涉的情况下，可以使用</p>
	<p>Electrical components 电气部件</p>	<p>Check if IP marking is ok 检查是否有“IP”标识</p>
	<p>Actuator (optional) 执行机构 (可选)</p>	<p>Connect according to the manufacturer's instructions 根据厂商说明书进行连接</p>
	<p>Valve with actuator 带驱动的阀门</p>	<p>Don't touch the disc during operation 操作期间请勿接触阀板</p> 
	<p>When flushing the pipe 清洗管线</p>	<p>Check if valve materials are suitable for the rinsing fluid 检查阀门清洗液是否适用于阀门材质</p>
	<p>System pressure test at <math>p &gt; PN</math></p>	<p>Valves always open 阀门常开</p>
	<p>For normally closed valve 常闭阀</p>	<p>Operate the actuator minimally once a month to avoid jamming 用执行机构操作最少一个月一次，避免卡住</p>


## 6. MAINTENANCE 维护

By professional person only 仅限专业人员

	<p>Before maintenance 在维护之前</p>	<p>Medium 介质</p>  
	<p>If the fluid is dangerous 危险介质</p>	<p>Avoid contacting it and deal with as per user's specification or local legislation 避免接触，依据用户规范和地方法规处理</p>  
	<p>If the fluid is flammable 易燃介质</p>	<p>Avoid contact flame and handle in accordance with user's specification 避免接触到火源，依据用户规范操作</p>
	<p>Inspection points 检查项</p>	<p>Sealing, operability, coating, corrosion &lt;1mm 密封性、可操作性、油漆及涂层腐蚀 &lt;1mm</p>
	<p>Repair 修复部分缺陷</p>	<p>Replace valve and/or actuator, or use original spare parts from AFFCO 更换阀门和 / 或执行器，或更换原厂备件</p>
	<p>Spare parts 备件</p>	<p>O-ring set, disc, shafts, rubber lined body, or complete valve O型圈套件、阀板、阀杆、阀体及橡胶阀座等，或完整阀门</p>






## 7. DISPOSALS 处置




	<p>Product disposal 产品废弃处理</p>	<p>Disposal shall comply with local law and regulation. 处理办法依照当地国家法律法规规定</p>
---	------------------------------------	--

## 8. SAFETY 安全

Suitable for ATEX 适用于 ATEX

	<p>Coating thickness 涂层厚度</p>	<p>The coating thickness must be less than 0.2mm 涂层厚度应小于 0.2mm</p>						
	<p>Working atmosphere 工作环境</p>	<p>Don't hit the external parts with metallic object 请勿使用金属物件敲击外部部件</p>						
	<p>Maximum surface temperature 最大表面温度</p>	<p>According to the material specification of liner 视阀座材料如下：</p> <table border="1" style="width: 100%; border-collapse: collapse;"> <tr> <td style="width: 50%;">NBR</td> <td>II 2GD c Tmax=80°C</td> </tr> <tr> <td>EPDM/KIWA</td> <td>II 2GD c Tmax=120°C</td> </tr> <tr> <td>VITON</td> <td>II 2GD c Tmax=200°C</td> </tr> </table>	NBR	II 2GD c Tmax=80°C	EPDM/KIWA	II 2GD c Tmax=120°C	VITON	II 2GD c Tmax=200°C
NBR	II 2GD c Tmax=80°C							
EPDM/KIWA	II 2GD c Tmax=120°C							
VITON	II 2GD c Tmax=200°C							

## 9. DATA 数据

	<p>Historical failure data 历史失效数据</p>	<p>Historical failure data is 0.2% 历史失效数据 0.2%</p>				
	<p>Product percent of pass 产品合格率</p>	<p>The rate of qualified production is up to 100% 产品生产合格率为 100%</p>				
	<p>The service life and shelf life of rubber 橡胶服务与储存寿命</p>	<table border="1" data-bbox="508 703 842 794"> <tr> <td data-bbox="508 703 675 748">NBR</td> <td data-bbox="675 703 842 748"><math>\geq 2</math> years</td> </tr> <tr> <td data-bbox="508 748 675 794">EPDM, VITON</td> <td data-bbox="675 748 842 794"><math>\geq 3</math> years</td> </tr> </table>	NBR	$\geq 2$ years	EPDM, VITON	$\geq 3$ years
NBR	$\geq 2$ years					
EPDM, VITON	$\geq 3$ years					



AFFCO Flow Control (Shanghai) Co., Ltd.  
安阀流体控制（上海）有限责任公司

Address 地址：  
No.99 Desheng Road, Economic and Technological Development Area,  
Feng Xian, Shanghai 201411

Tel 电话：  
+86 21 5814 7016;  
+86 21 5814 7017

Fax 传真：  
+86 21 5814 7019