

DIMENSIONS

NPS	DN	L	D	C	G	O	Z-Ød	t	Mesh
1/2"	15	130	15	35	67	90	4-Ø14	10.0	60
3/4"	20	140	20	43	73	100	4-Ø14	10.9	60
1"	25	150	25	51	83	110	4-Ø14	11.6	60
1 1/4"	32	170	32	64	87	115	4-Ø14	13.2	60
1 1/2"	40	200	38	73	98	125	4-Ø14	14.7	60

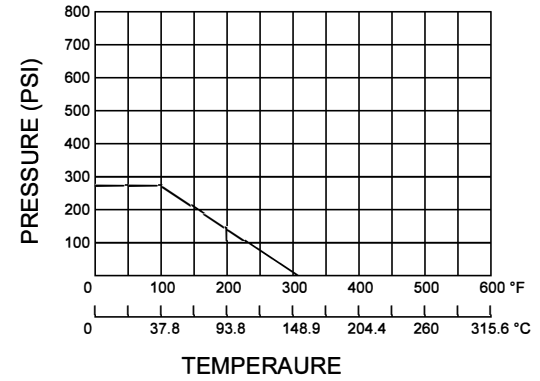
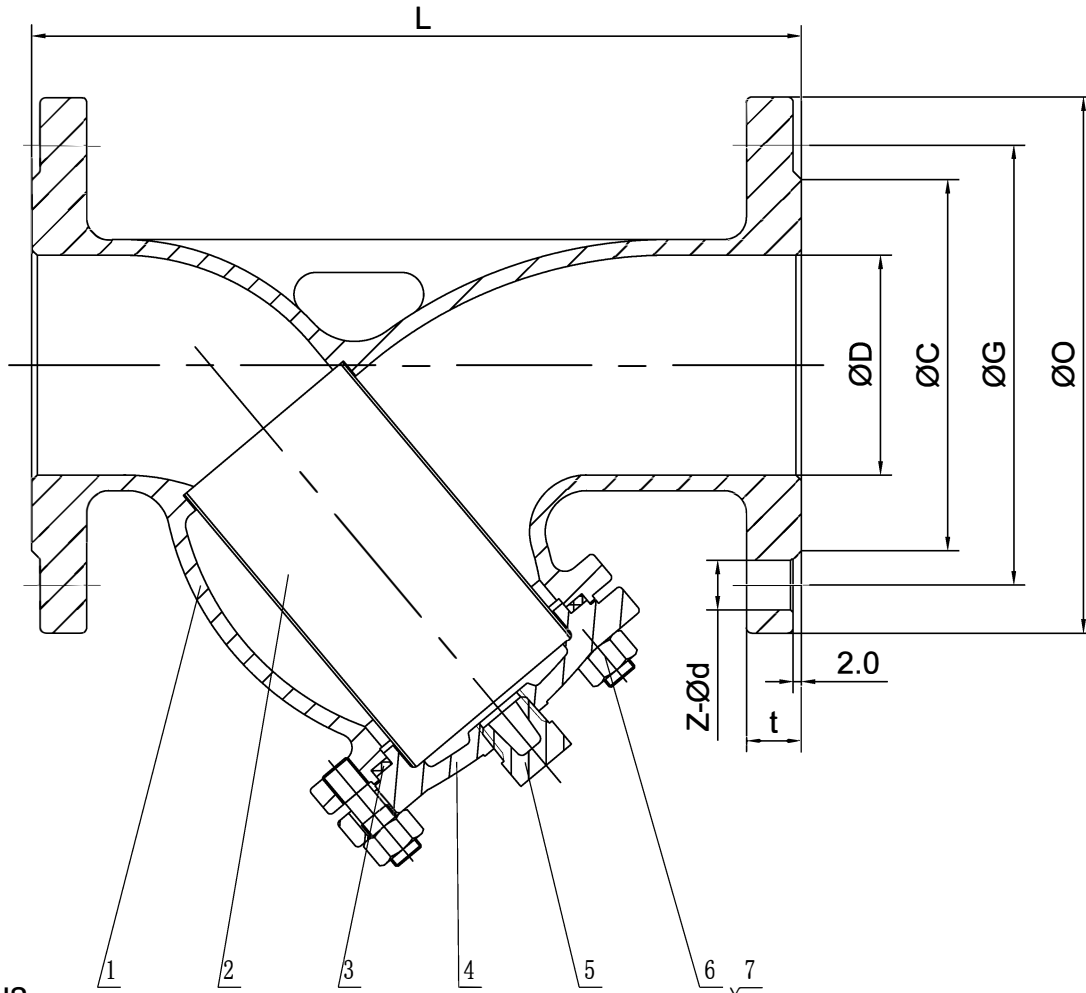
No.	Part	Material
1	Body	ASTM A351 CF8M
2	Net	ASTM A276 316
3	Gasket	Graphite + SS 304
4	Bonnet	ASTM A351 CF8M
5	Plug	ASTM A351 CF8M
6		
7		

Test Pressure	Shell Test	3.0 MPa
	Seal Test	- MPa
	Air Test	- MPa
	Suitable Temp.	-29 ~ 150 C
Standard	Face to Face	Factory Standard
	End Connection	AS2129 Table E
	Valve Design	ASME B16.34
	Valve Test	API 598

Drawing No.	Date	Figure No.	Rev No.
AN	Oct 25, 2018	YSTR-A1-TE	001

Y-Strainer, Class 150, Table E			
FLOCONTROL			





DIMENSIONS

NPS	DN	L	D	C	G	O	Z-Ød	t	Mesh
2"	50	220	50	92	114	150	4-Ø18	16.3	60
2 1/2"	65	252	64	105	127	180	4-Ø18	17.9	60
3"	80	280	76	124	146	190	4-Ø18	19.5	60
4"	100	320	100	156	178	230	8-Ø18	24.3	60
5"	125	350	125	186	210	255	8-Ø18	24.3	60
6"	150	400	150	209	235	280	8-Ø22	25.9	60
8"	200	485	200	266	292	345	8-Ø22	29.0	60
10"	250	550	250	324	356	405	12-Ø22	30.6	60
12"	300	610	300	376	406	485	12-Ø26	32.2	60

No.	Part	Material
1	Body	ASTM A351 CF8M
2	Net	ASTM A276 316
3	Gasket	Graphite + SS 304
4	Bonnet	ASTM A351 CF8M
5	Plug	ASTM A351 CF8M
6	Stud	ASTM A193 B8
7	Nut	ASTM A194 8

Test Pressure	Shell Test	3.0 MPa
	Seal Test	- MPa
	Air Test	- MPa
	Suitable Temp.	-29 ~ 150 C

Standard	Face to Face	Factory Standard
	End Connection	AS2129 Table E
	Valve Design	ASME B16.34
	Valve Test	API 598

Drawing No.	Date	Figure No.	Rev No.
AN	Oct 25, 2018	YSTR-A1-TE	002
Y-Strainer, Class 150, Table E			
FLOCONTROL			

