
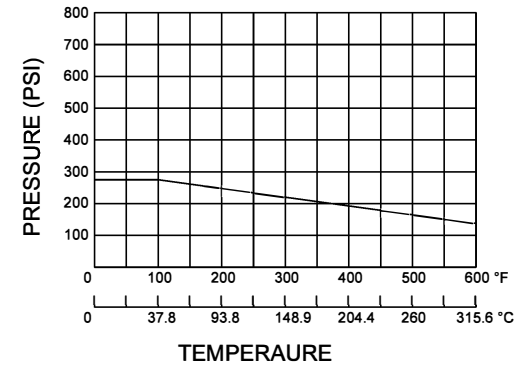
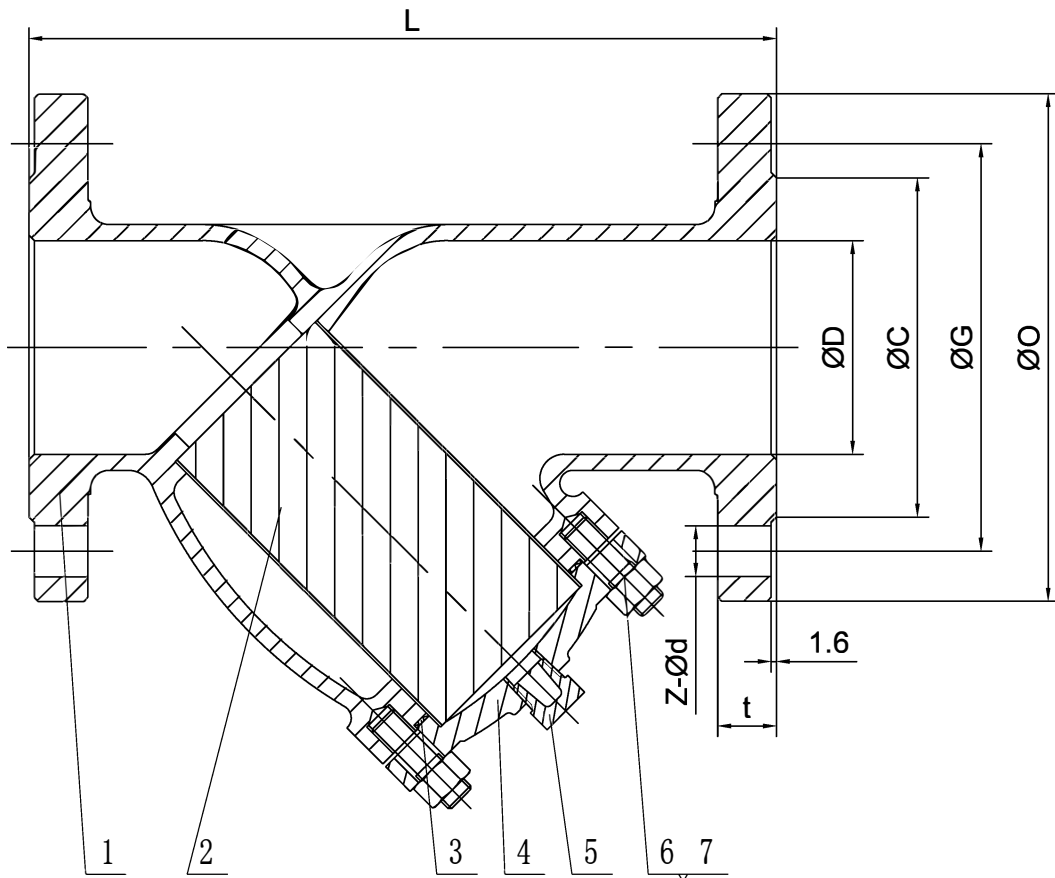


DIMENSIONS

NPS	DN	L	D	C	G	O	Z-Ød	t	Mesh
1/2"	15	130	15	35	60.3	90	4-Ø16	10	60
3/4"	20	140	20	43	69.9	100	4-Ø16	11	60
1"	25	150	25	51	79.4	110	4-Ø16	12	60
1 1/4"	32	170	32	64	88.9	115	4-Ø16	13	60
1 1/2"	40	200	38	73	98.4	125	4-Ø16	15	60
2"	50	220	50	92	120.7	150	4-Ø19	16	60
2 1/2"	65	252	64	105	139.7	180	4-Ø19	18	60

No.	Part	Material		
1	Body	ASTM A216 WCB		
2	Net	ASTM A276 316		
3	Gasket	Graphite + SS 304		
4	Bonnet	ASTM A216 WCB		
5	Plug	ASTM A216 WCB		
6	Bolt	ASTM A193 B7		
7	Nut	ASTM A194 2H		
Test Pressure	Shell Test	3.0 MPa		
	Seal Test	- MPa		
	Air Test	- MPa		
	Suitable Temp.	-29 ~ 180 C		
Standard	Face to Face	Factory Standard		
	End Connection	ASME B16.5		
	Valve Design	ASME B16.34		
	Valve Test	API 598		
Drawing No.	Date	Figure No.	Rev No.	
AN	Sep 29, 2017	ARS/C17	002	
Y-Strainer, Class 150				
FLOCONTROL				



DIMENSIONS

NPS	DN	L	D	C	G	O	Z-Ød	t	Mesh
3"	80	280	78	127	152.5	190	4-Ø19	19	60
4"	100	300	100	157	190.5	229	8-Ø19	24	60
5"	125	350	125	186	216.0	254	8-Ø22	24	60
6"	150	385	150	216	241.3	279	8-Ø22	25.4	60
8"	200	485	200	270	298.5	343	8-Ø22	28.5	60
10"	250	550	250	324	362.0	406	12-Ø25	30.0	60
12"	300	610	300	381	432.0	483	12-Ø25	32.0	60

No.	Part	Material
1	Body	ASTM A216 WCB
2	Net	ASTM A276 316
3	Gasket	Graphite + SS 304
4	Bonnet	ASTM A216 WCB
5	Plug	ASTM A216 WCB
6	Bolt	ASTM A193 B7
7	Nut	ASTM A194 2H

Test Pressure	Shell Test	3.0 MPa	
	Seal Test	- MPa	
	Air Test	- MPa	
	Suitable Temp.	-29 ~ 180 C	
Standard	Face to Face	Factory Standard	
	End Connection	ASME B16.5	
	Valve Design	ASME B16.34	
	Valve Test	API 598	
Drawing No.	Date	Figure No.	Rev No.
AN	Feb 18, 2014	ARS/C17	001
Y-Strainer, Class 150			
FLOCONTROL			

