

Dimensions (mm)

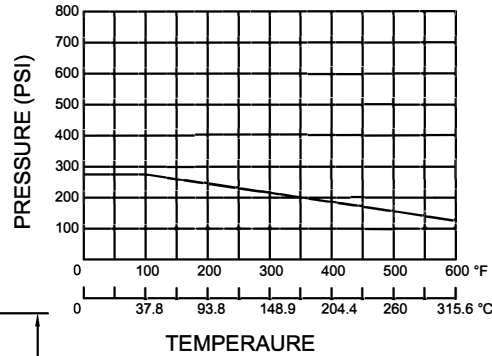
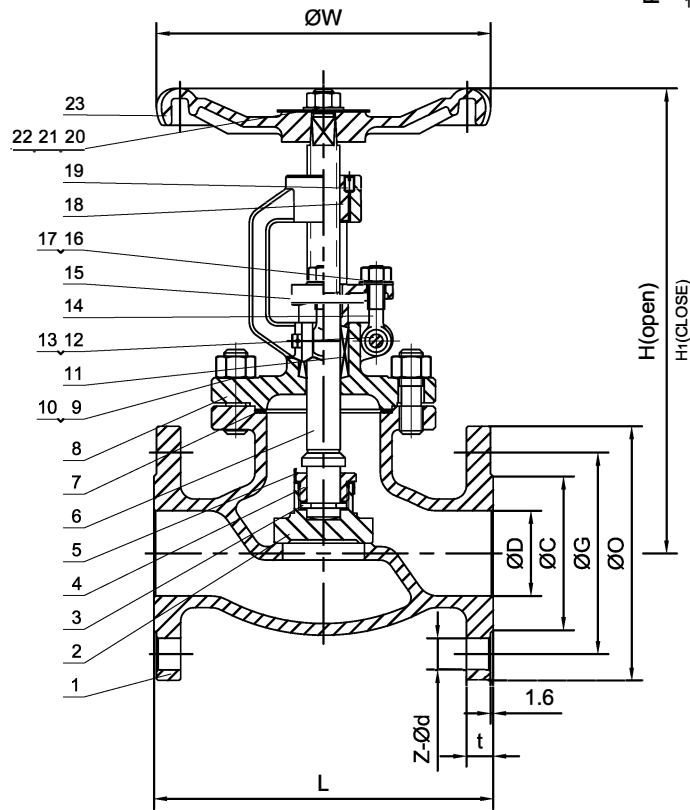
NPS	DN	L	D	C	G	O	t	Z- $\varnothing d$	W	H	H1
1/2"	15	108	13	35	67	89	10.0	4- $\varnothing 14$	120	185	198
3/4"	20	117	19	43	73	98	11.0	4- $\varnothing 14$	120	193	208
1"	25	127	25	51	83	108	12.0	4- $\varnothing 14$	140	208	225
1 1/4"	32	140	32	63	87	117	13.0	4- $\varnothing 14$	140	222	248
1 1/2"	40	165	38	73	98	127	14.5	4- $\varnothing 14$	180	252	278

No.	PART	QTY.	MATERIAL
1	Body	1	ASTM A351 CF8M
2	Disc	1	ASTM A351 CF8M
3	Split Collar	1	SS 316
4	Disc Cap	1	ASTM A182 F316
5	Lock Washer	1	SS 316
6	Stem	1	ASTM A182 F316
7	Gasket	1	Spiral Wound Gaskets
8	Bonnet	1	ASTM A351 CF8M
9	Bolt	-	ASTM A193 B8M
10	Nut	-	ASTM A194 8M
11	Packing	-	Flexible Graphite
12	Split Cotters	2	SS 301
13	Pin	2	SS 304
14	Eye Bolt	2	ASTM A193 B8M
15	Gland	1	ASTM A351 CF8
16	Washer	2	SS 304
17	Nut	2	ASTM A194 8M
18	Stem Nut	1	ZCuAl10Fe3
19	Screw	1	ASTM A193 B8
20	Name Plate	1	Steel
21	Washer	1	SS 304
22	Nut	1	ASTM A194 8
23	Handwheel	1	Iron And Steel
24			
25			
26			
27			
28			
29			
30			

Test Pressure	Shell Test	3.0 MPa
	Seal Test	2.2 MPa
	Air Test	0.6 MPa
	Suitable Temp.	-29 ~ 450 °C
Standard	Face to Face	ASME B16.10
	End Connection	AS2129 Table E
	Valve Design	ASME B16.34
	Valve Test	API 598

Drawing No.	Date	Figure No.	Rev No.
AN	May 28, 2014	SGL-A1-TE	002
Globe Valve, Class 150, Table E			
FLOCONTROL			






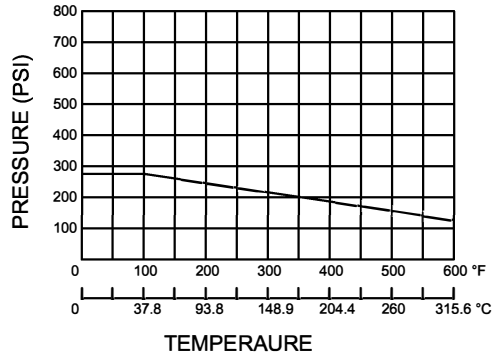
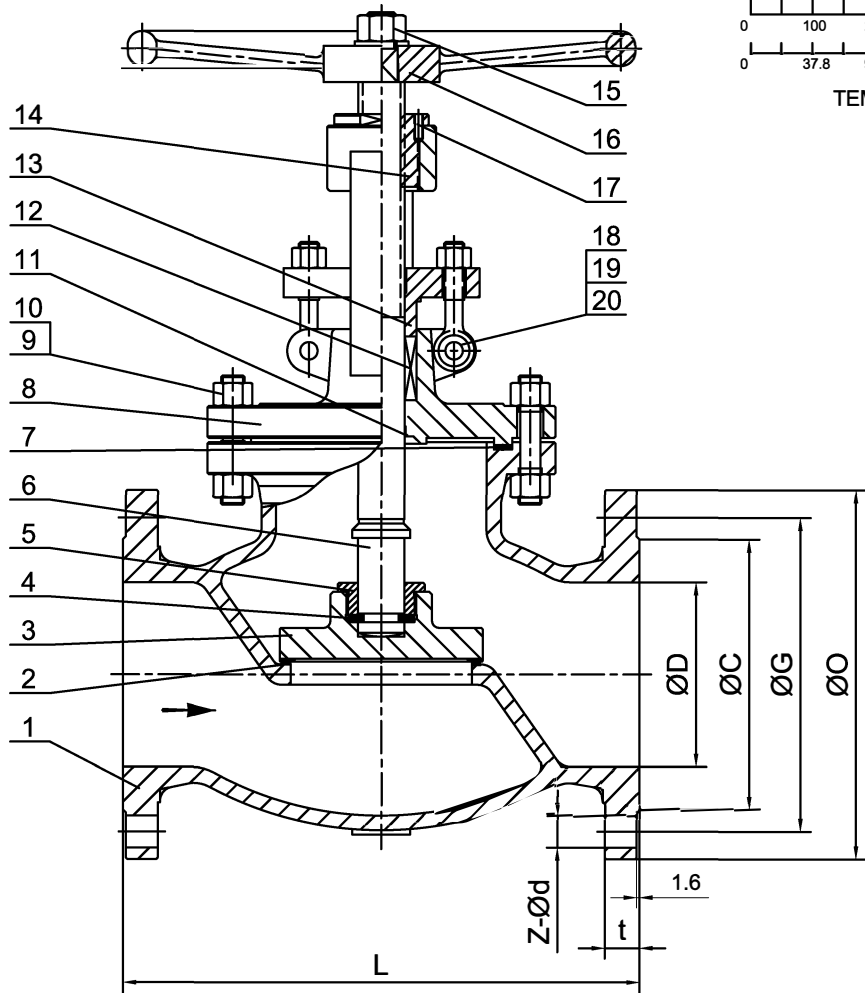
Dimensions (mm)

NPS	DN	L	D	C	G	O	t	Z-Ød	W	H	H1			
2"	50	203	51	92	114	152	16.0	4-Ø18	200	278	315			
2 1/2"	65	216	64	105	127	178	17.5	4-Ø18	240	321	375			
3"	80	241	76	127	146	190	19.0	4-Ø18	280	355	418			
4"	100	292	102	157	178	229	24.0	8-Ø18	300	412	472			
5"	125	356	125	186	210	254	24.0	8-Ø18	320	455	530			
6"	150	406	152	216	235	279	26.0	8-Ø22	360	510	595			

No.	PART	QTY.	MATERIAL
1	Body	1	ASTM A351 CF8M
2	Disc	1	ASTM A351 CF8M
3	Split Collar	1	SS 316
4	Disc Cap	1	ASTM A182 F316
5	Lock Washer	1	SS 316
6	Stem	1	ASTM A182 F316
7	Gasket	1	Spiral Wound Gaskets
8	Bonnet	1	ASTM A351 CF8M
9	Bolt	-	ASTM A193 B8M
10	Nut	-	ASTM A194 8M
11	Packing	-	Flexible Graphite
12	Split Cotter	2	SS 301
13	Pin	2	SS 304
14	Eye Bolt	2	ASTM A193 B8M
15	Gland	1	ASTM A351 CF8
16	Washer	2	SS 304
17	Nut	2	ASTM A194 8M
18	Stem Nut	1	ZCuAl10Fe3
19	Screw	1	ASTM A193 B8
20	Name Plate	1	Steel
21	Washer	1	SS 304
22	Nut	1	ASTM A194 8
23	Handwheel	1	Iron And Steel
24			
25			
26			
27			
28			
29			
30			

Test Pressure	Shell Test	3.0 MPa
	Seal Test	2.2 MPa
	Air Test	0.6 MPa
	Suitable Temp.	-29 ~ 450 °C
Standard	Face to Face	ASME B16.10
	End Connection	AS2129 Table E
	Valve Design	ASME B16.34
	Valve Test	API 598

Drawing No.	Date	Figure No.	Rev No.	
AN	May 28, 2014	SGL-A1-TE	002	
Globe Valve, Class 150, Table E				
FLOCONTROL				




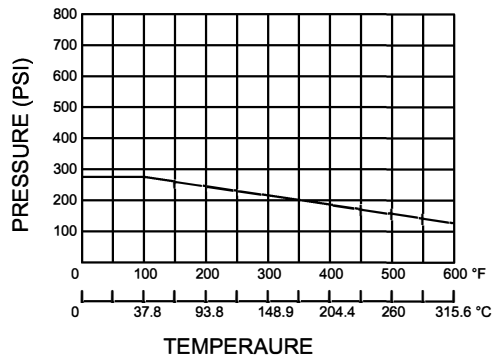
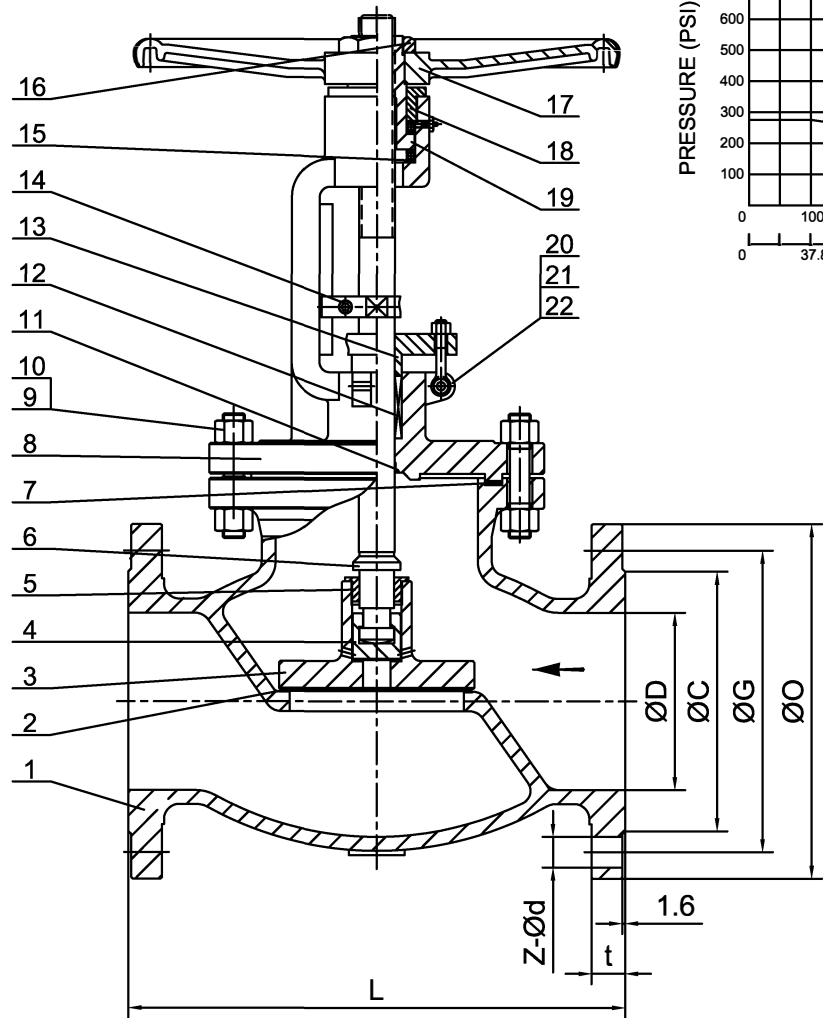
Dimensions (mm)

NPS	DN	L	D	C	G	O	t	Z-Ød					
8"	200	495	203	270	292	343	29.0	8-Ø22					

No.	PART	MATERIAL
1	Body	ASTM A351 CF8M
2	Seat Ring	ASTM A351 CF8M
3	Disc	ASTM A182 F316
4	Split Ring	SS 316
5	Disc Cover	SS 316
6	Stem	ASTM A182 F316
7	Gasket	Graphite + SS 316
8	Bonnet	ASTM A351 CF8M
9	Stud	ASTM A193 B8M
10	Nut	ASTM A194 8M
11	Backseat	ASTM A351 CF8M
12	Packing	Graphite
13	Bushing	ASTM A351 CF8M
14	Stem Nut	ZcuA10Fe3
15	Handwheel Lock Nut	SS 304
16	Handwheel	ASTM A395
17	Screw	SS 304
18	Pin	SS 304
19	Gland Bolt	ASTM A193 B8
20	Gland Nut	ASTM A194 8
21		
22		
23		
24		
25		
26		
27		
28		
29		
30		

Test Pressure	Shell Test	3.0 MPa
	Seal Test	2.2 MPa
	Air Test	0.6 MPa
	Suitable Temp.	-29 ~ 425 °C
Standard	Face to Face	ASME B16.10
	End Connection	AS2129 Table E
	Valve Design	ASME B16.34 & BS 1873
	Valve Test	API 598

Drawing No.	Date	Figure No.	Rev No.	
JY	May 28, 2014	SGL-A1-TE	002	
Globe Valve, Class 150, Table E				
FLOCONTROL				




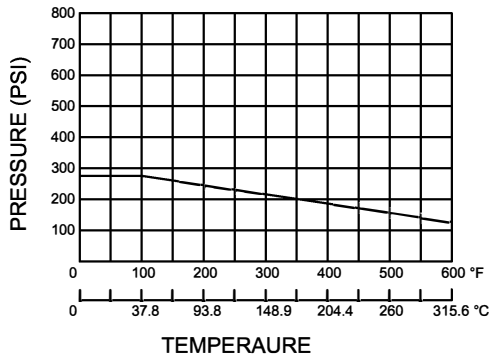
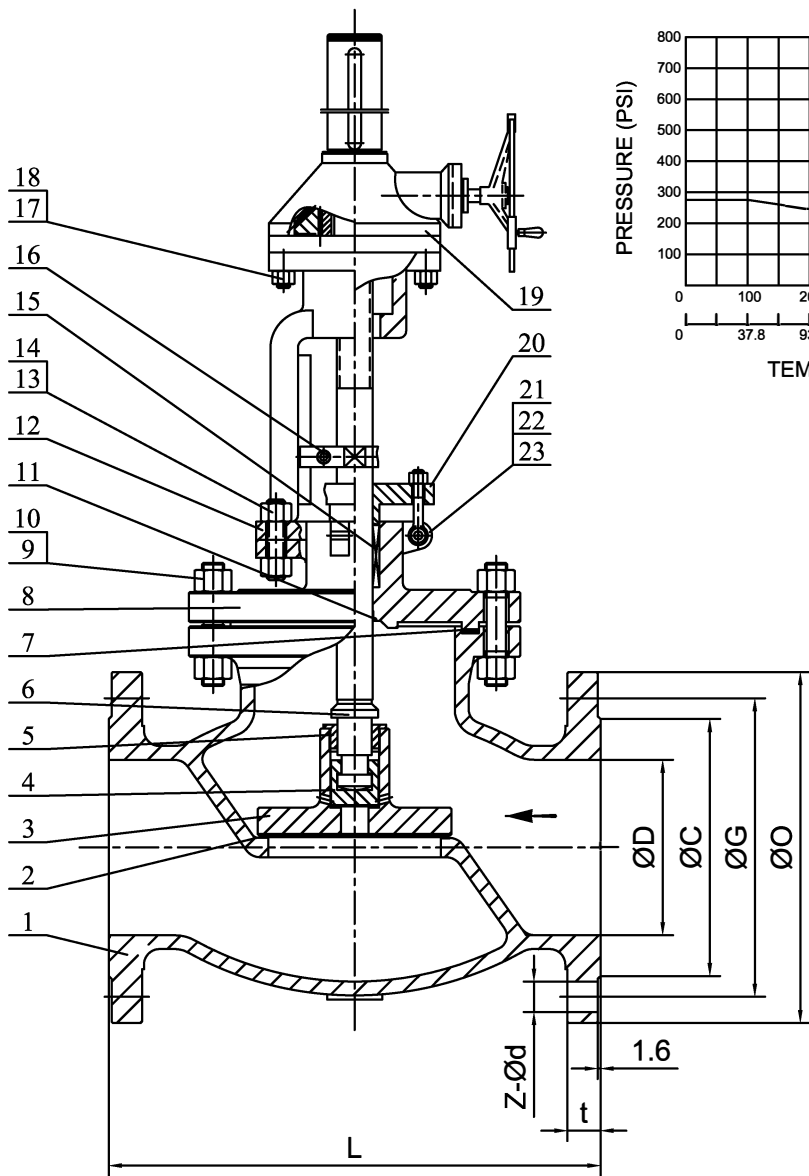
Dimensions (mm)

NPS	DN	L	D	C	G	O	t	Z-Ød						
10"	250	622	254	324	356	406	31	12-Ø22						
12"	300	698	305	381	406	483	32	12-Ø26						
14"	350	787	337	413	470	533	35	12-Ø26						
16"	400	914	387	470	521	597	37	12-Ø26						

No.	PART	MATERIAL
1	Body	ASTM A351 CF8M
2	Seat Ring	ASTM A351 CF8M
3	Disc	ASTM A182 F316
4	Disc	ASTM A182 F316
5	Disc Cover	SS 316
6	Stem	ASTM A182 F316
7	Gasket	Graphite + SS 316
8	Bonnet	ASTM A351 CF8M
9	Stud	ASTM A193 B8M
10	Nut	ASTM A194 8M
11	Backseat	ASTM A351 CF8M
12	Packing	Graphite
13	Bushing	ASTM A351 CF8M
14	Guide Block	S.S
15	Bearing	C.S
16	Handwheel Lock Nut	C.S. + Cr
17	Handwheel	ASTM A395
18	Retaining Nut	C.S. + Cr
19	Stem Nut	ZcuAl10Fe3
20	Pin	SS 304
21	Gland Bolt	ASTM A193 B8
22	Gland Nut	ASTM A194 8
23		
24		
25		
26		
27		
28		
29		
30		

Test Pressure	Shell Test	3.0 MPa
	Seal Test	2.2 MPa
	Air Test	0.6 MPa
	Suitable Temp.	-29 ~ 425 °C
Standard	Face to Face	ASME B16.10
	End Connection	AS2129 Table E
	Valve Design	ASME B16.34 & BS 1873
	Valve Test	API 598

Drawing No.	Date	Figure No.	Rev No.	
JY	May 28, 2014	SGL-A1-TE	002	
Globe Valve, Class 150, Table E				
FLOCONTROL				




Dimensions (mm)

NPS	DN	L	D	C	G	O	t	Z-Ød						
18"	450	978	438	533	584	635	40	16-Ø26						
20"	500	978	489	584	641	698	43	16-Ø26						
24"	600	1295	591	692	756	813	48	16-Ø33						

No.	PART	MATERIAL
1	Body	ASTM A351 CF8M
2	Seat Ring	ASTM A351 CF8M
3	Disc	ASTM A182 F316
4	Disc	ASTM A182 F316
5	Disc Cover	SS 316
6	Stem	ASTM A182 F316
7	Gasket	Graphite + SS 316
8	Bonnet	ASTM A351 CF8M
9	Stud	ASTM A193 B8M
10	Nut	ASTM A194 8M
11	Backseat	ASTM A351 CF8M
12	Yoke	ASTM A351 CF8M
13	Stud	ASTM A193 B8
14	Nut	ASTM A194 8
15	PackIng	Graphite
16	Guide Block	C.S
17	Gland Bolt	ASTM A193 B7
18	Gland Nut	ASTM A194 2H
19	Gear box	ASTM A395
20	Bushing	ASTM A351 CF8M
21	Pin	SS 304
22	Gland Bolt	ASTM A193 B8
23	Gland Nut	ASTM A194 8
24		
25		
26		
27		
28		
29		
30		

Test Pressure	Shell Test	3.0 MPa
	Seal Test	2.2 MPa
	Air Test	0.6 MPa
	Suitable Temp.	-29 ~ 425 °C
Standard	Face to Face	ASME B16.10
	End Connection	AS2129 Table E
	Valve Design	ASME B16.34 & BS 1873
	Valve Test	API 598

Drawing No.	Date	Figure No.	Rev No.	
JY	May 28, 2014	SGL-A1-TE	002	
Globe Valve, Class 150, Table E				
FLOCONTROL				