

Dimensions (mm)

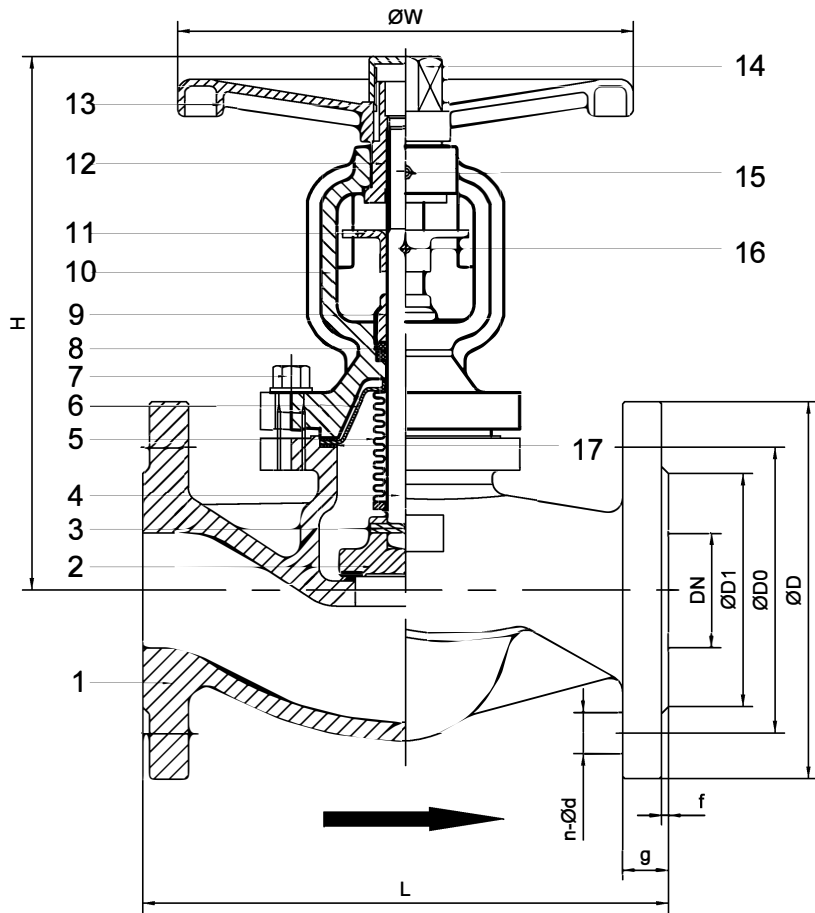
NPS	DN	L	ØD	ØD0	ØD1	g	f	n-Ød	H	W
1/2"	15	130	95	65	45	16	2	4-14	200	130
3/4"	20	150	105	75	58	18	2	4-14	200	130
1"	25	160	115	85	68	18	2	4-14	215	150
1 1/4"	32	180	140	100	78	18	2	4-18	215	150
1 1/2"	40	200	150	110	88	18	3	4-18	230	180
2"	50	230	165	125	102	18	3	4-18	230	180

No.	PART	Qty	MATERIAL
1	Body	-	GS-C25+13Cr
2	Disc	-	2Cr13
3	Pin	-	ASTM A276 304
4	Stem	-	2Cr13
5	Bellow	-	SS 304
6	End Fitting	-	ASTM A276 304
7	Bolt	-	ASTM A193 B7
8	Packing	-	Flexible Graphite
9	Cover	-	Carbon Steel
10	Bonnet	-	GS-C25
11	Stop	-	Carbon Steel
12	Stem Nut	-	ZCuAl10Fe3
13	Handwheel	-	Carbon Steel
14	Nut	-	Carbon Steel
15	Oil Cup	-	ASTM A193 B8
16	Pin	-	ASTM A276 304
17	Gasket	-	Flexible Graphite+304
18			
19			
20			
21			
22			
23			
24			
25			

Test Pressure	Shell Test	24.0 kg/cm <sup>2</sup>
	Bellow Test	24.0 kg/cm <sup>2</sup>
	Seat Test ( Water )	18.0 kg/cm <sup>2</sup>
	Seat Test ( Air )	6.0 kg/cm <sup>2</sup>
Standard	End to End Dimension	EN 558-1: 2008
	Flange End Design	EN 1092-1: 2007
	Pressure Temperature Rating	EN 12266: 2012
	General Valve Design	EN 13709:2010

Drawing No.	Date	Figure No.	Rev No.
DEF	Nov 7, 2018	ARGV	001
Bellow Seal Globe Valve, PN16			
FLOCONTROL			



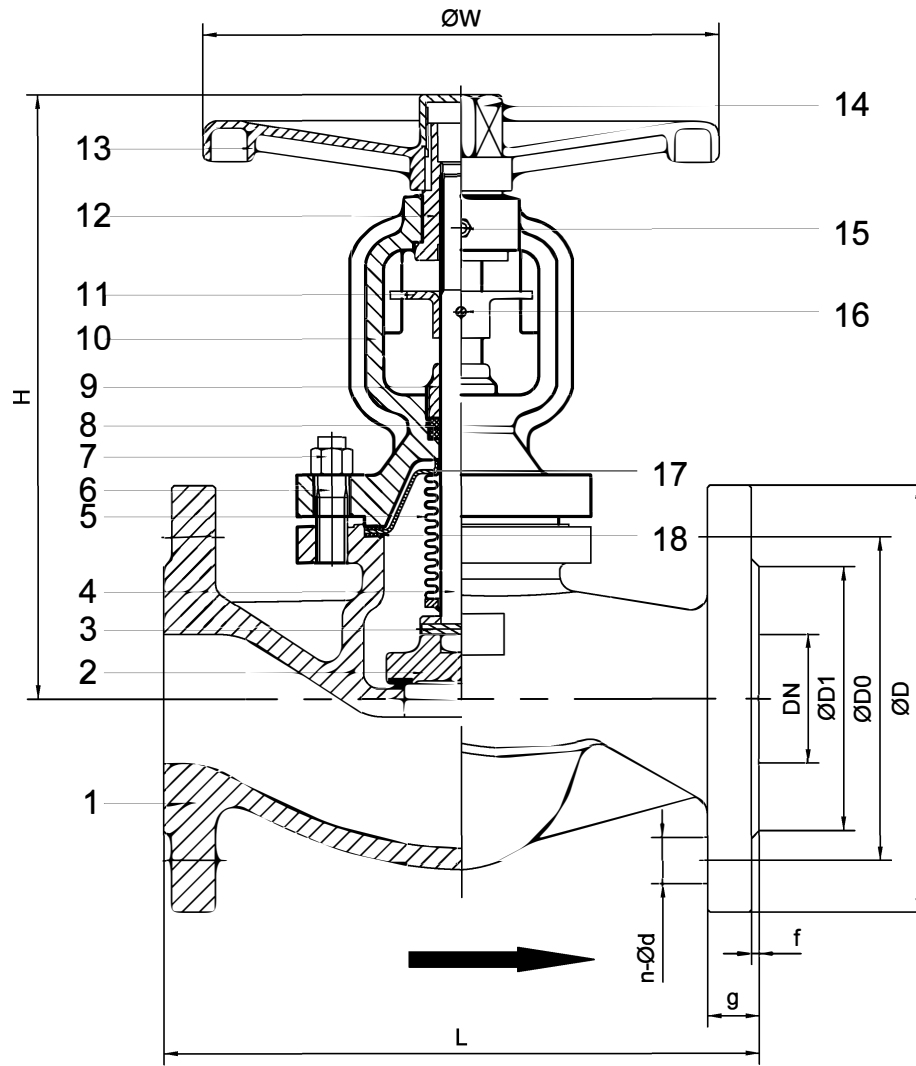


Dimensions (mm)

NPS	DN	L	ØD	ØD0	ØD1	g	f	n-Ød	H	W										
2 1/2"	65	290	185	145	122	18	3	4-18	280	200										
3"	80	310	200	160	138	20	3	8-18	280	250										

No.	PART	Qty	MATERIAL
1	Body	-	GS-C25+13Cr
2	Disc	-	2Cr13
3	Pin	-	ASTM A276 304
4	Stem	-	2Cr13
5	Bellow	-	SS 304
6	End Fitting	-	ASTM A276 304
7	Bolt	-	ASTM A193 B7
8	Packing	-	Flexible Graphite
9	Cover	-	Carbon Steel
10	Bonnet	-	GS-C25
11	Stop	-	Carbon Steel
12	Stem Nut	-	ZCuAl10Fe3
13	Handwheel	-	Carbon Steel
14	Nut	-	Carbon Steel
15	Oil Cup	-	ASTM A193 B8
16	Pin	-	ASTM A276 304
17	Gasket	-	Flexible Graphite+304
18			
19			
20			
21			
22			
23			
24			
25			
Test Pressure	Shell Test	24.0 kg/cm <sup>2</sup>	
	Bellow Test	24.0 kg/cm <sup>2</sup>	
	Seat Test ( Water )	18.0 kg/cm <sup>2</sup>	
	Seat Test ( Air )	6.0 kg/cm <sup>2</sup>	
Standard	End to End Dimension	EN 558-1: 2008	
	Flange End Design	EN 1092-1: 2007	
	Pressure Temperature Rating	EN 12266: 2012	
	General Valve Design	EN 13709:2010	
Drawing No.	Date	Figure No.	Rev No.
DEF	Nov 7, 2018	ARGV	001
Bellow Seal Globe Valve, PN16			
FLOCONTROL			



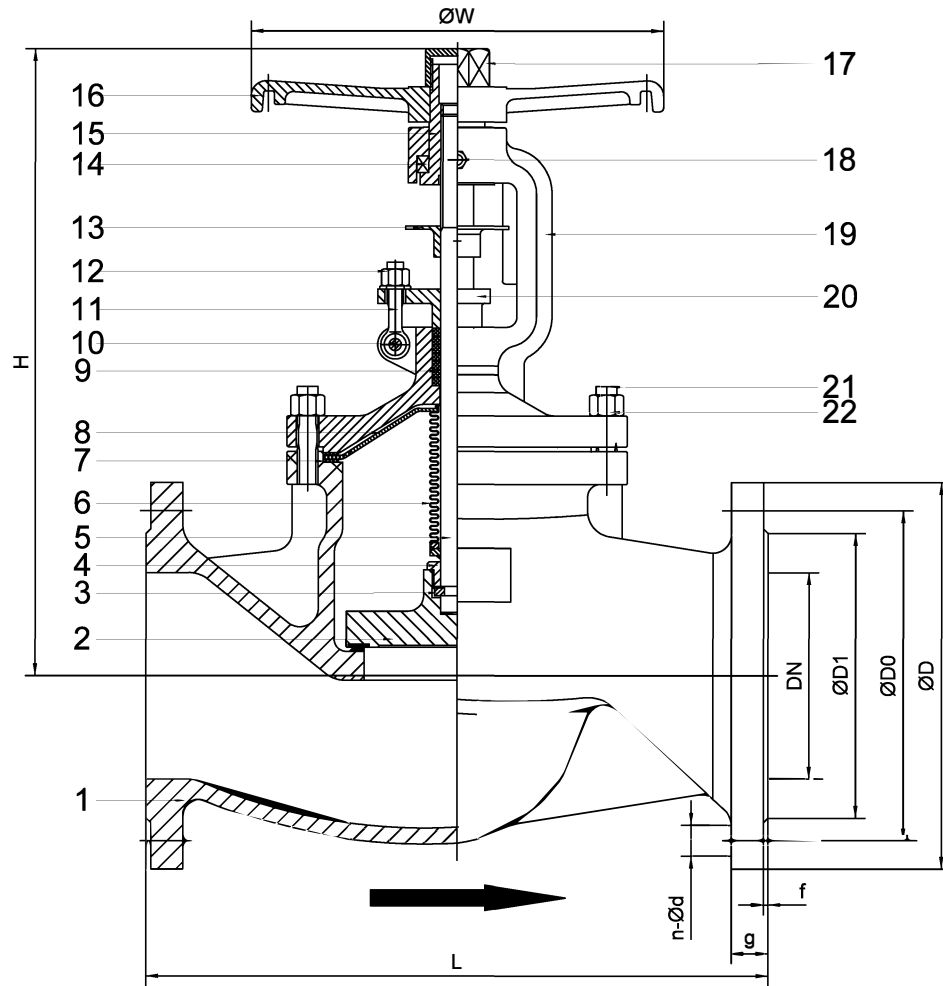


Dimensions (mm)

NPS	DN	L	ØD	ØD0	ØD1	g	f	n-Ød	H	W
4"	100	350	220	180	158	20	3	8-18	370	280
5"	125	400	250	210	188	22	3	8-18	400	300

No.	PART	Qty	MATERIAL
1	Body	-	GS-C25+13Cr
2	Disc	-	2Cr13
3	Pin	-	ASTM A276 304
4	Stem	-	2Cr13
5	Bellow	-	SS 304
6	End Fitting	-	ASTM A276 304
7	Bolt	-	ASTM A193 B7
8	Packing	-	Flexible Graphite
9	Cover	-	Carbon Steel
10	Bonnet	-	GS-C25
11	Stop	-	Carbon Steel
12	Stem Nut	-	ZCuAl10Fe3
13	Handwheel	-	Carbon Steel
14	Nut	-	Carbon Steel
15	Oil Cup	-	ASTM A193 B8
16	Pin	-	ASTM A276 304
17	Gasket	-	Flexible Graphite+304
18			
19			
20			
21			
22			
23			
24			
25			
Test Pressure	Shell Test	24.0	kg/cm <sup>2</sup>
	Bellow Test	24.0	kg/cm <sup>2</sup>
	Seat Test ( Water )	18.0	kg/cm <sup>2</sup>
	Seat Test ( Air )	6.0	kg/cm <sup>2</sup>
Standard	End to End Dimension	EN 558-1: 2008	
	Flange End Design	EN 1092-1: 2007	
	Pressure Temperature Rating	EN 12266: 2012	
	General Valve Design	EN 13709:2010	
Drawing No.	Date	Figure No.	Rev No.
DEF	Nov 7, 2018	ARGV	001
Bellow Seal Globe Valve, PN16			
FLOCONTROL			





Dimensions (mm)

NPS	DN	L	ØD	ØD0	ØD1	g	f	n-Ød	H	W
6"	150	480	285	240	212	22	3	8-22	500	350

No.	PART	Qty	MATERIAL
1	Body	-	GS-C25+13Cr
2	Disc	-	2Cr13
3	Pin	-	ASTM A276 304
4	Stem	-	2Cr13
5	Bellow	-	SS 304
6	End Fitting	-	ASTM A276 304
7	Bolt	-	ASTM A193 B7
8	Packing	-	Flexible Graphite
9	Cover	-	Carbon Steel
10	Bonnet	-	GS-C25
11	Stop	-	Carbon Steel
12	Stem Nut	-	ZCuAl10Fe3
13	Handwheel	-	Carbon Steel
14	Nut	-	Carbon Steel
15	Oil Cup	-	ASTM A193 B8
16	Pin	-	ASTM A276 304
17	Gasket	-	Flexible Graphite+304
18			
19			
20			
21			
22			
23			
24			
25			
Test Pressure	Shell Test	24.0	kg/cm <sup>2</sup>
	Bellow Test	24.0	kg/cm <sup>2</sup>
	Seat Test ( Water )	18.0	kg/cm <sup>2</sup>
	Seat Test ( Air )	6.0	kg/cm <sup>2</sup>
Standard	End to End Dimension	EN 558-1: 2008	
	Flange End Design	EN 1092-1: 2007	
	Pressure Temperature Rating	EN 12266: 2012	
	General Valve Design	EN 13709:2010	
Drawing No.	Date	Figure No.	Rev No.
DEF	Nov 7, 2018	ARGV	001
Bellow Seal Globe Valve, PN16			
FLOCONTROL			

