


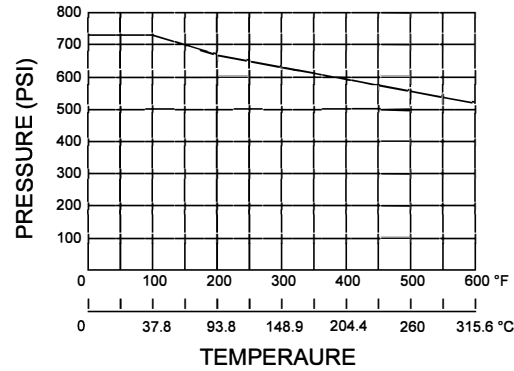
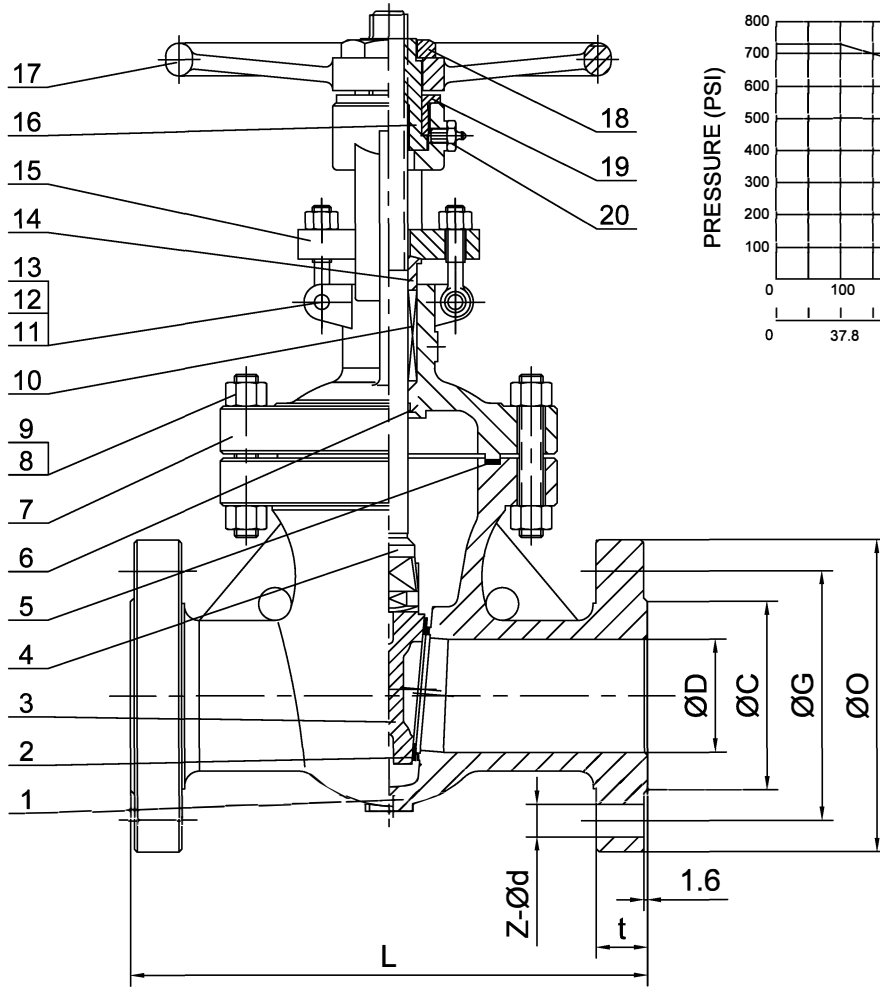
Dimensions (mm)

NPS	DN	L	D	C	G	O	t	Z-Ød	W	H	H ₁						
1/2"	15	140	10.5	35	66.5	95	15	4-Ø15	100	151	138						
3/4"	20	152	13.0	43	82.5	117	16	4-Ø19	100	158	142						
1"	25	165	17.5	51	89.0	124	18	4-Ø19	125	190	170						
1 1/4"	32	178	23.0	64	98.5	133	19	4-Ø19	160	217	190						
1 1/2"	40	190	28.0	73	114.5	156	21	4-Ø22	160	240	207						

No.	PART	Qty	MATERIAL
1	Body	1	ASTM A105
2	Seat Ring	2	2Cr13
3	Disc	1	2Cr13 + STL
4	Stem	1	2Cr13
5	Gasket	1	Graphite + SS 316
6	Bonnet	1	ASTM A105
7	Bolt	4	35
8	Packing	5	Graphite
9	Pin	2	35
10	Gland	1	20
11	Eye Bolt	2	35
12	Gland Flange	1	20
13	Nut	2	35
14	Stem Nut	1	35
15	Handwheel	1	KTH330 - 08
16	Prevailing	1	35
17			
18			
19			
20			
21			
22			
23			
24			
25			


Test Pressure	Shell Test	7.5 MPa
	Seal Test	5.5 MPa
	Air Test	0.6 MPa
	Suitable Temp.	-29 ~ 425 °C
Standard	Face to Face	ASME B16.10
	End Connection	ASME B16.5
	Valve Design	ASME B16.34 & API 600
	Valve Test	API 598

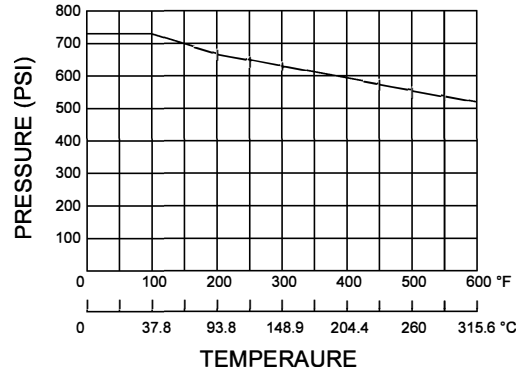
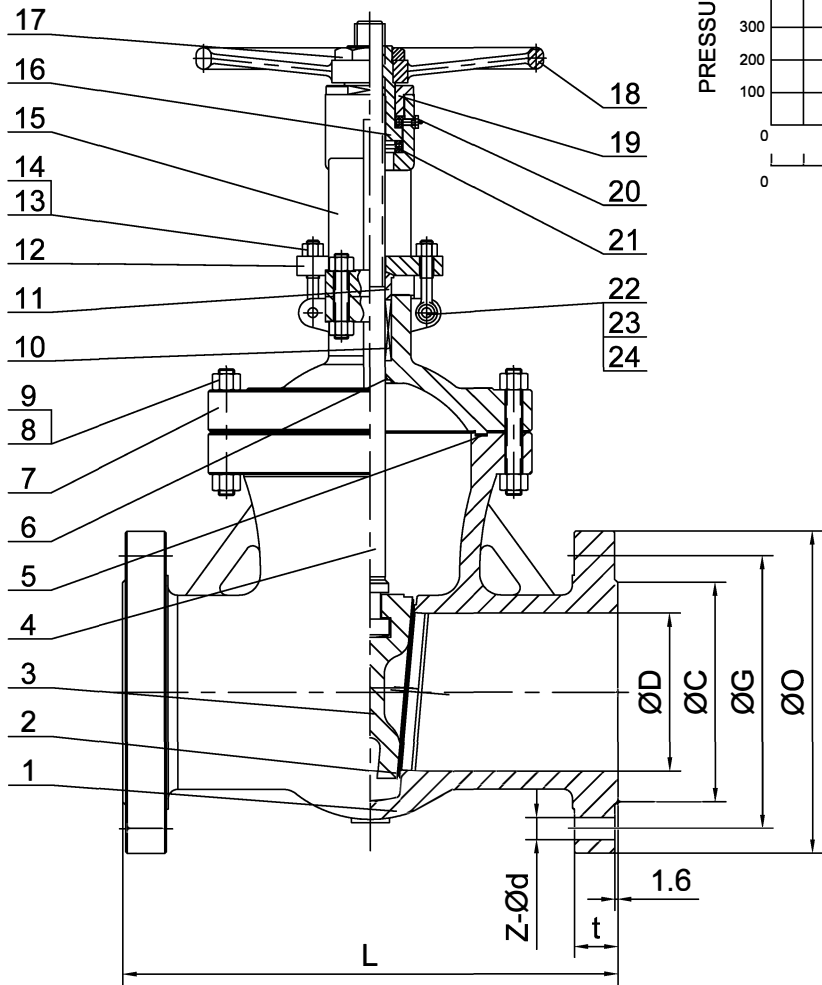
Drawing No.	Date	Figure No.	Rev No.	
AN	May 28, 2014	GG0301T1	002	
Gate Valve , Class 300				
FLOCONTROL				



Dimensions (mm)

NPS	DN	L	D	C	G	O	t	Z-Ød							
1 1/2"	40	190	38	73	114.3	156	21	4-Ø22							
2"	50	216	51	92	127.0	165	23	8-Ø19							
2 1/2"	65	241	64	104.5	149.4	190	26	8-Ø22							
3"	80	283	76	127.0	168.2	210	29	8-Ø22							
4"	100	305	102	157.0	200.2	254	32	8-Ø22							
5"	125	381	125	185.5	235.0	279	35	8-Ø22							
6"	150	403	152	216.0	270.0	318	37	12-Ø22							
8"	200	419	203	270.0	330.0	381	42	12-Ø25							

No.	PART	MATERIAL		
1	Body	ASTM A216 WCB		
2	Seat Ring	ASTM A216 WCB + 13Cr		
3	Wedge	ASTM A216 WCB + STL		
4	Stem	ASTM A182 F6a		
5	Gasket	Graphite + SS 304		
6	Backseat	ASTM A216 WCB + 13Cr		
7	Bonnet	ASTM A216 WCB		
8	Stud	ASTM A193 B7		
9	Nut	ASTM A194 2H		
10	PackKing	Graphite		
11	Pin	C.S		
12	Gland Bolt	ASTM A193 B7		
13	Gland Nut	ASTM A194 2H		
14	Bushing	ASTM A182 F6a		
15	Gland	ASTM A216 WCB		
16	Stem Nut	ZcuAl10Fe3 Bronze		
17	Handwheel	ASTM A47		
18	Handwheel Lock Nut	C.S		
19	Retaining Nut	C.S		
20	Lubricator	Cu		
21				
22				
23				
24				
25				
26				
27				
28				
29				
30				
Test Pressure	Shell Test	7.5 MPa		
	Seal Test	5.5 MPa		
	Air Test	0.6 MPa		
	Suitable Temp.	-29 ~ 425 °C		
Standard	Face to Face	ASME B16.10		
	End Connection	ASME B16.5		
	Valve Design	ASME B16.34 & API 600		
	Valve Test	API 598		
Drawing No.	Date	Figure No.	Rev No.	
JY	May 28, 2014	GG0301T1	002	
Gate Valve , Class 300				
FLOCONTROL				



No.	PART	MATERIAL
1	Body	ASTM A216 WCB
2	Seat Ring	ASTM A216 WCB + 13Cr
3	Wedge	ASTM A216 WCB + STL
4	Stem	ASTM A182 F6a
5	Gasket	Graphite + SS 304
6	Backseat	ASTM A216 WCB + 13Cr
7	Bonnet	ASTM A216 WCB
8	Stud	ASTM A193 B7
9	Nut	ASTM A194 2H
10	PackRing	Graphite
11	Bushing	ASTM A182 F6a
12	Gland	ASTM A216 WCB
13	Stud	ASTM A193 B7
14	Nut	ASTM A194 2H
15	Yoke	ASTM A216 WCB
16	Stem Nut	ZcuAl10Fe3 Bronze
17	Handwheel Lock Nut	C.S
18	Handwheel	ASTM A47
19	Retaining Nut	C.S
20	Lubricator	Cu
21	Bearing	C.S
22	Pin	C.S
23	Gland Bolt	ASTM A193 B7
24	Gland Nut	ASTM A194 2H
25		
26		
27		
28		
29		
30		

Test Pressure	Shell Test	7.5 MPa
	Seal Test	5.5 MPa
	Air Test	0.6 MPa
	Suitable Temp.	-29 ~ 425 °C
Standard	Face to Face	ASME B16.10
	End Connection	ASME B16.5
	Valve Design	ASME B16.34 & API 600
	Valve Test	API 598

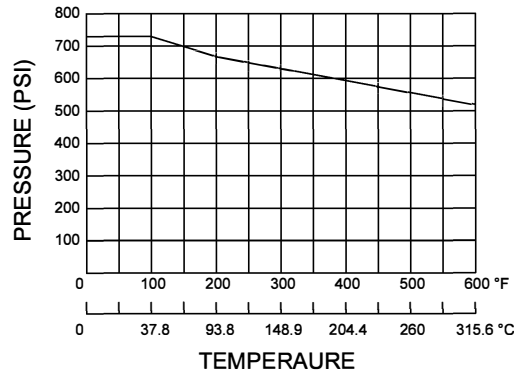
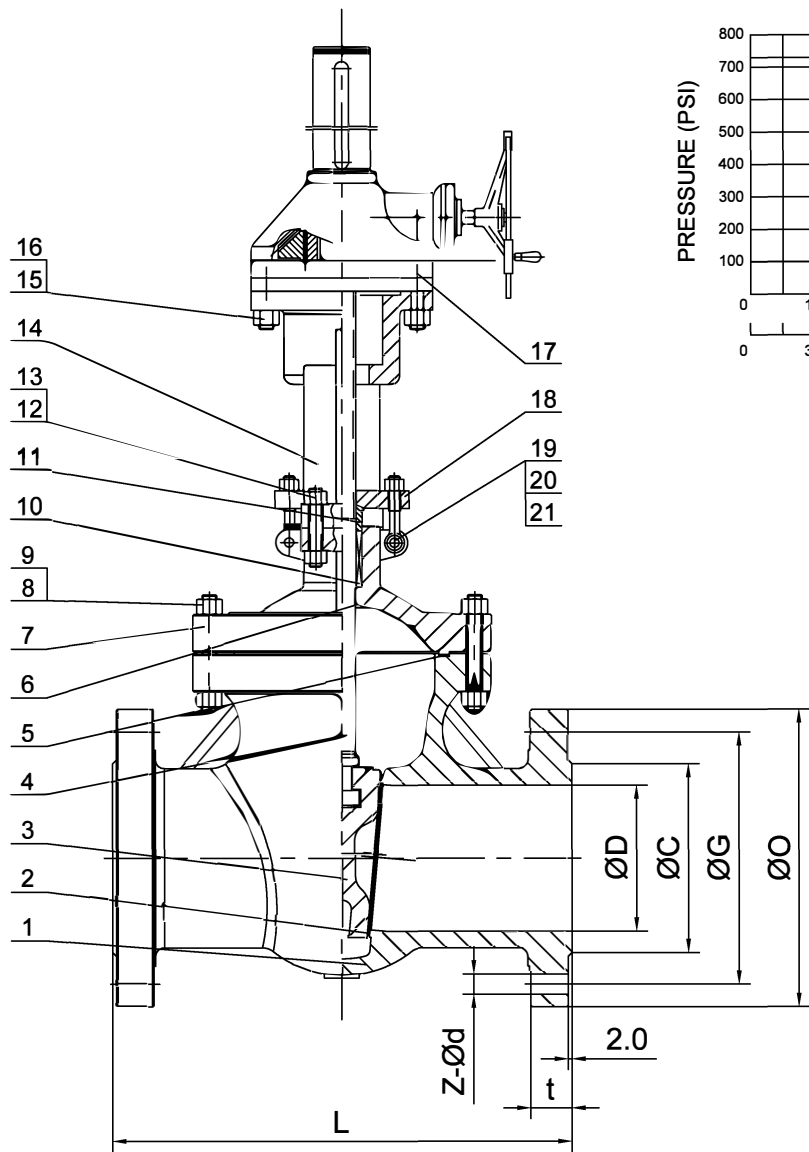
Drawing No.	Date	Figure No.	Rev No.
JY	May 28, 2014	GG0301T1	002

Dimensions (mm)

NPS	DN	L	D	C	G	O	t	Z-Ød				
10"	250	457	254	324	387.5	445	48	16-Ø29				
12"	300	502	305	381	451.0	521	51	16-Ø32				

Gate Valve , Class 300			
FLOCONTROL			






Dimensions (mm)

NPS	DN	L	D	C	G	O	t	Z-Ød						
14"	350	762	337	413.0	514.5	585	54.4	20-Ø32						
16"	400	838	387	470.0	571.5	650	58	20-Ø35						
18"	450	914	432	533.4	628.7	710	61	24-Ø35						
20"	500	991	483	584.0	685.8	775	64	24-Ø35						
24"	600	1143	584	692.0	812.8	915	70.3	24-Ø41						

No.	PART	MATERIAL
1	Body	ASTM A216 WCB
2	Seat Ring	ASTM A216 WCB + 13Cr
3	Wedge	ASTM A216 WCB + STL
4	Stem	ASTM A182 F6a
5	Gasket	Graphite + SS 304
6	Backseat	ASTM A216 WCB + 13Cr
7	Bonnet	ASTM A216 WCB
8	Stud	ASTM A193 B7
9	Nut	ASTM A194 2H
10	PacKing	Graphite
11	Bushing	ASTM A182 F6a
12	Stud	ASTM A193 B7
13	Nut	ASTM A194 2H
14	Yoke	ASTM A216 WCB
15	Stud	ASTM A193 B7
16	Nut	ASTM A194 2H
17	Gear Box	C.S
18	Gland	ASTM A216 WCB
19	Pin	C.S
20	Gland Bolt	ASTM A193 B7
21	Gland Nut	ASTM A194 2H
22		
23		
24		
25		
26		
27		
28		
29		
30		

Test Pressure	Shell Test	7.5 MPa
	Seal Test	5.5 MPa
	Air Test	0.6 MPa
	Suitable Temp.	-29 ~ 425 °C
Standard	Face to Face	ASME B16.10
	End Connection	ASME B16.5
	Valve Design	ASME B16.34 & API 600
	Valve Test	API 598

Drawing No.	Date	Figure No.	Rev No.	
JY	Oct 5, 2017	GG0301T1	003	
Gate Valve , Class 300				
FLOCONTROL				