


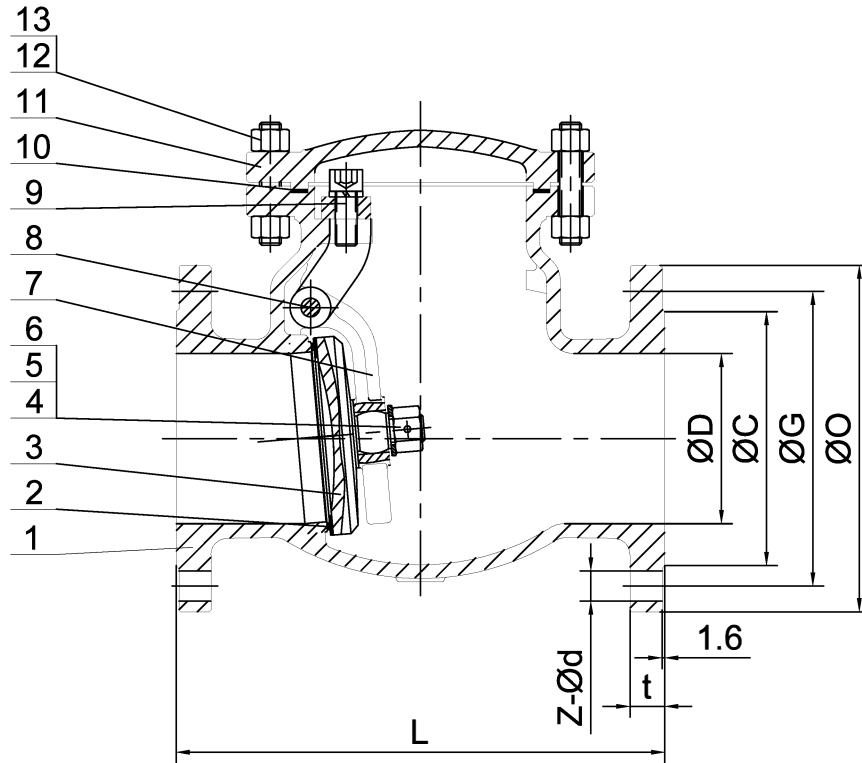
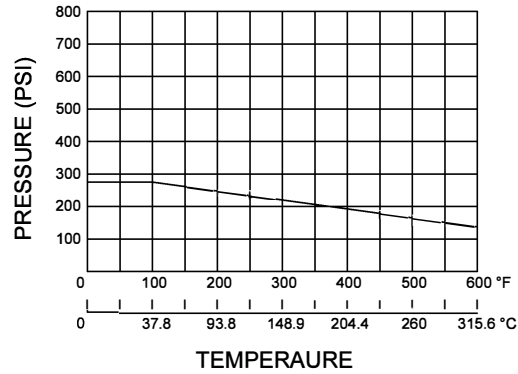
Dimensions (mm)

NPS	DN	L	D	C	G	O	t	Z-ød					
1/2"	15	108	10.5	35	60.5	89	10	4-Ø15					
3/4"	20	117	13.0	43	70.0	98	11	4-Ø15					
1"	25	127	17.5	51	79.5	108	12	4-Ø15					
1 1/4"	32	140	23.0	64	89.0	117	13	4-Ø15					

No.	PART	Qty	MATERIAL
1	Body	1	ASTM A105
2	Seat Ring	1	13Cr
3	Disc	1	ASTM A105+STL
4	Nut	1	SS304
5	Arm	1	SS304
6	Eye Bolt	1	SS304
7	Gasket	1	Stainless Steel+Graphite
8	bonnet	1	ASTM A105
9	Bolt	4	1035
10			
11			
12			
13			
14			
15			
16			
17			
18			
19			
20			
21			
22			
23			
24			
25			

Test Pressure	Shell Test	3.0 MPa
	Seal Test	2.2 MPa
	Air Test	0.6 MPa
	Suitable Temp.	-29 ~ 425 °C
Standard	Face to Face	ASME B16.10
	End Connection	ASME B16.5
	Valve Design	ASME B16.34
	Valve Test	API 598

Drawing No.	Date	Figure No.	Rev No.	
AN	Apr 13, 2017	SC0101T1	002	
Swing Check Valve, Class 150				
FLOCONTROL				



Dimensions (mm)

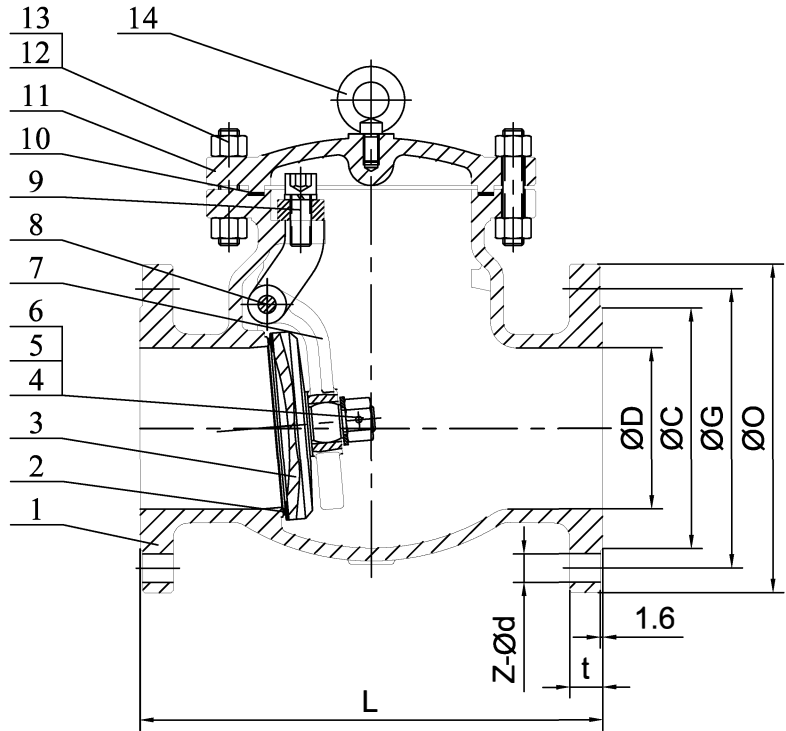
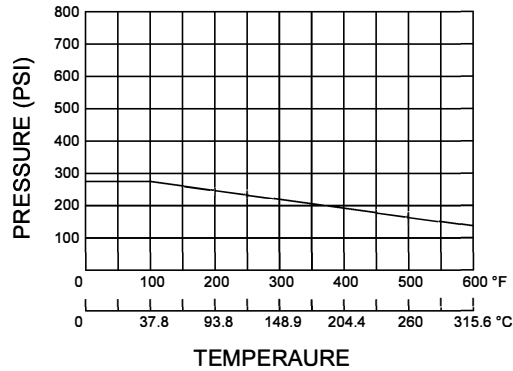
NPS	DN	L	D	C	G	O	t	Z-Ød
1 1/2"	40	165	38	73	98.5	127.0	17.5	4-Ø15.7
2"	50	203	51	92	120.7	152.0	19.0	4-Ø19.0
2 1/2"	65	216	64	104.5	139.7	177.8	22.5	4-Ø19.0
3"	80	241	76	127.0	152.5	190.5	24.0	4-Ø19.0

No.	PART	MATERIAL
1	Body	ASTM A216 WCB
2	Seat Ring	ASTM A216 WCB + 13Cr
3	Disc	ASTM A216 WCB + STL
4	Pin	SS 304
5	Nut	ASTM A194 2H
6	GasKet	SS 304
7	Hinge	ASTM A216 WCB
8	Hinge Pin	SS 304
9	Bolt	ASTM A193 B7
10	Gasket	Graphite + SS 304
11	Bonnet	ASTM A216 WCB
12	Stud	ASTM A193 B7
13	Nut	ASTM A194 2H
14		
15		
16		
17		
18		
19		
20		
21		
22		
23		
24		
25		
26		
27		
28		
29		
30		

Test Pressure	Shell Test	3.0 MPa
	Seal Test	2.2 MPa
	Air Test	0.6 MPa
	Suitable Temp.	-29 ~ 425 °C
Standard	Face to Face	ASME B16.10
	End Connection	ASME B16.5
	Valve Design	ASME B16.34 & BS 1868
	Valve Test	API 598

Drawing No.	Date	Figure No.	Rev No.
JY	May 28, 2014	SC0101T1	002
Swing Check Valve, Class 150			
FLOCONTROL			






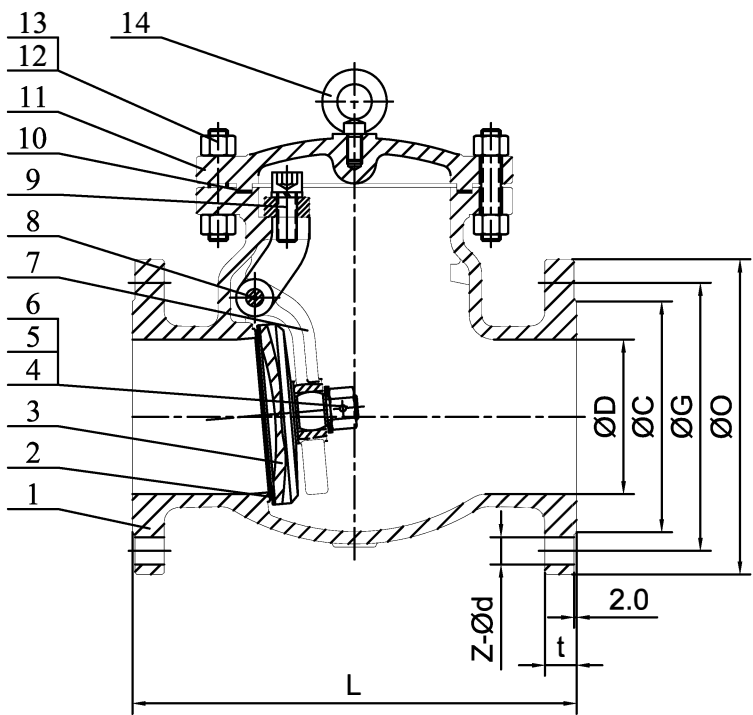
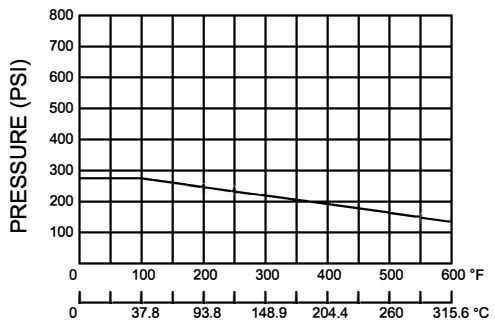
Dimensions (mm)

NPS	DN	L	D	C	G	O	t	Z-Ød						
4"	100	292	102	157.0	190.5	229	24	8-Ø19						
5"	125	330	125	185.7	216.0	254	26	8-Ø22						
6"	150	356	152	216.0	241.0	279	26	8-Ø22						
8"	200	495	203	270.0	298.5	343	29	8-Ø22						
10"	250	622	254	324.0	362.0	406	31	12-Ø25						
12"	300	698	305	381.0	432.0	483	32	12-Ø25						

No.	PART	MATERIAL
1	Body	ASTM A216 WCB
2	Seat Ring	ASTM A216 WCB + 13Cr
3	Disc	ASTM A216 WCB + STL
4	Pin	SS 304
5	Nut	ASTM A194 2H
6	GasKet	SS 304
7	Hinge	ASTM A216 WCB
8	Hinge Pin	SS 304
9	Bolt	ASTM A193 B7
10	Gasket	Graphite + SS 304
11	Bonnet	ASTM A216 WCB
12	Stud	ASTM A193 B7
13	Nut	ASTM A194 2H
14	Eye Screw	C.S
15		
16		
17		
18		
19		
20		
21		
22		
23		
24		
25		
26		
27		
28		
29		
30		

Test Pressure	Shell Test	3.0 MPa
	Seal Test	2.2 MPa
	Air Test	0.6 MPa
	Suitable Temp.	-29 ~ 425 °C
Standard	Face to Face	ASME B16.10
	End Connection	ASME B16.5
	Valve Design	ASME B16.34 & BS 1868
	Valve Test	API 598

Drawing No.	Date	Figure No.	Rev No.	
JY	May 28, 2014	SC0101T1	002	
Swing Check Valve, Class 150				
FLOCONTROL				




Dimensions (mm)

NPS	DN	L	D	C	G	O	t	Z-Ød				
14"	350	787	337	413	476.3	535	35.4	12-Ø29				
16"	400	864	387	470	540	595	37	16-Ø29				
18"	450	978	438	533	578	635	40	16-Ø32				
20"	500	978	489	584	635	700	43	20-Ø32				
24"	600	1295	591	692	749	815	48	20-Ø35				

No.	PART	MATERIAL
1	Body	ASTM A216 WCB
2	Seat Ring	ASTM A216 WCB + 13Cr
3	Disc	ASTM A216 WCB + STL
4	Pin	SS 304
5	Nut	ASTM A194 2H
6	GasKet	SS 304
7	Hinge	ASTM A216 WCB
8	Hinge Pin	SS 304
9	Bolt	ASTM A193 B7
10	Gasket	Graphite + SS 304
11	Bonnet	ASTM A216 WCB
12	Stud	ASTM A193 B7
13	Nut	ASTM A194 2H
14	Eye Screw	C.S
15		
16		
17		
18		
19		
20		
21		
22		
23		
24		
25		
26		
27		
28		
29		
30		

Test Pressure	Shell Test	3.0 MPa
	Seal Test	2.2 MPa
	Air Test	0.6 MPa
	Suitable Temp.	-29 ~ 425 °C
Standard	Face to Face	ASME B16.10
	End Connection	ASME B16.5
	Valve Design	ASME B16.34 & BS 1868
	Valve Test	API 598

Drawing No.	Date	Figure No.	Rev No.	
JY	Oct 5, 2017	SC0101T1	003	
Swing Check Valve, Class 150				
FLOCONTROL				