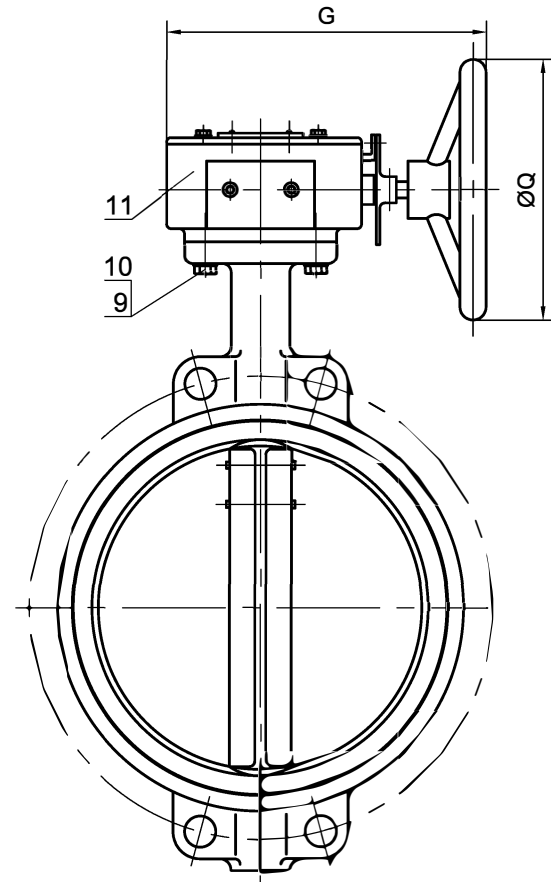
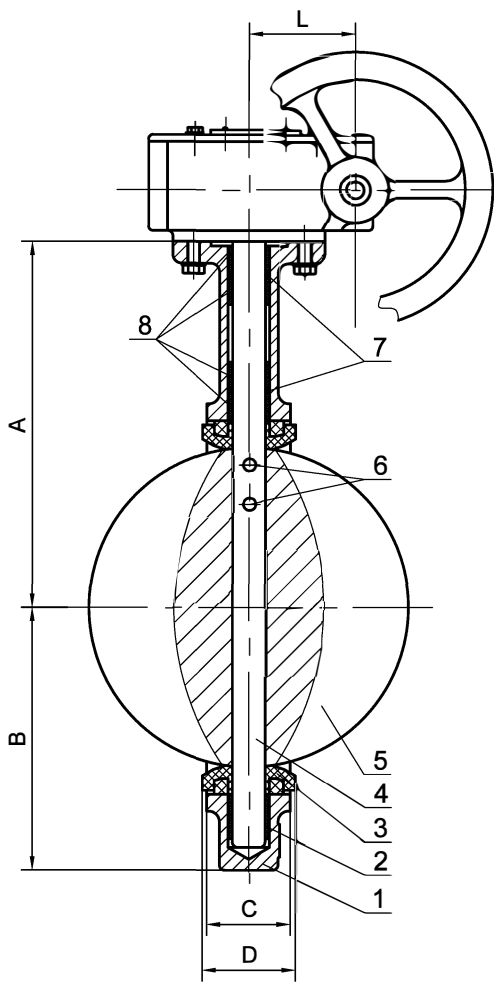


Dimensions (mm)

NPS	DN	A	B	C	G	D														
2"	50	161	80	42	267	46.1														
2 1/2"	65	175	89	45	267	49.1														
3"	80	181	95	45	267	49.1														
4"	100	200	114	51	267	55.3														
5"	125	213	127	54.5	267	58.8														
6"	150	226	144	54.5	267	59.1														
8"	200	260	175	59.6	359	64.1														

No.	PART	Qty	MATERIAL
1	Body	1	CI
2	Bushing	1	PTFE
3	Seat	1	PTFE
4	Shaft	1	SS 416
5	Disc	1	CF8M
6	Pins	1-2	SS 316(1 FIT 2"-3",2 FIT4"-)
7	O-Ring	2	VITON
8	Bushing	4	PTFE
9	Bolts	2	SS304
10	Spring washer	2	SS304
11	Lever	1	MALLEABLE IRON
12			
13			
14			
15			
16			
17			
18			
19			
20			
21			
22			
23			
24			
25			
Test Pressure	Shell Test	2.4 MPa	
	Seal Test	1.76 MPa	
	Air Test	MPa	
	Suitable Temp.	-20°C-120°C (PTFE)	
Standard	Face to Face	ASME B16.10	
	End Connection	AS2129 T/E/ANSI 150/PN16	
	Valve Design	ISO 5752/API 609/BS EN593	
	Valve Test	BS EN12266-1	
Drawing No.	Date	Figure No.	Rev No.
YH	Oct.3, 2018	CBV-L-WST	002
CI Wafer Type Butterfly Valve, PTFE Seat			
FLOCONTROL			





No.	PART	Qty	MATERIAL
1	Body	1	CI
2	Bushing	1	PTFE
3	Seat	1	PTFE
4	Shaft	1	SS 416
5	Disc	1	CF8M
6	Pins	2	SS 316
7	O-Ring	2	VITON
8	Bushing	4	PTFE
9	Bolts	4	SS304
10	Spring washer	4	SS304
11	Actuator	1	GEAR OPERATOR
12			
13			
14			
15			
16			
17			
18			
19			
20			
21			
22			
23			
24			
25			

Test Pressure	Shell Test	2.4 MPa
	Seal Test	1.76 MPa
	Air Test	MPa
	Suitable Temp.	-20°C-120°C (PTFE)
Standard	Face to Face	ASME B16.10
	End Connection	AS2129 T/E/ANSI 150/PN16
	Valve Design	ISO 5752/API 609/BS EN593
	Valve Test	BS EN12266-1

Dimensions (mm)

NPS	DN	A	B	C	G	L	ØQ	D											
10"	250	292	203	67.0	313	63	300	72											
12"	300	337	242	75.5	307	78	300	80											

Drawing No.	Date	Figure No.	Rev No.
YH	Oct.3, 2018	CBV-L-WST	002
CI Wafer Type Butterfly Valve, PTFE Seat			
FLOCONTROL			

