


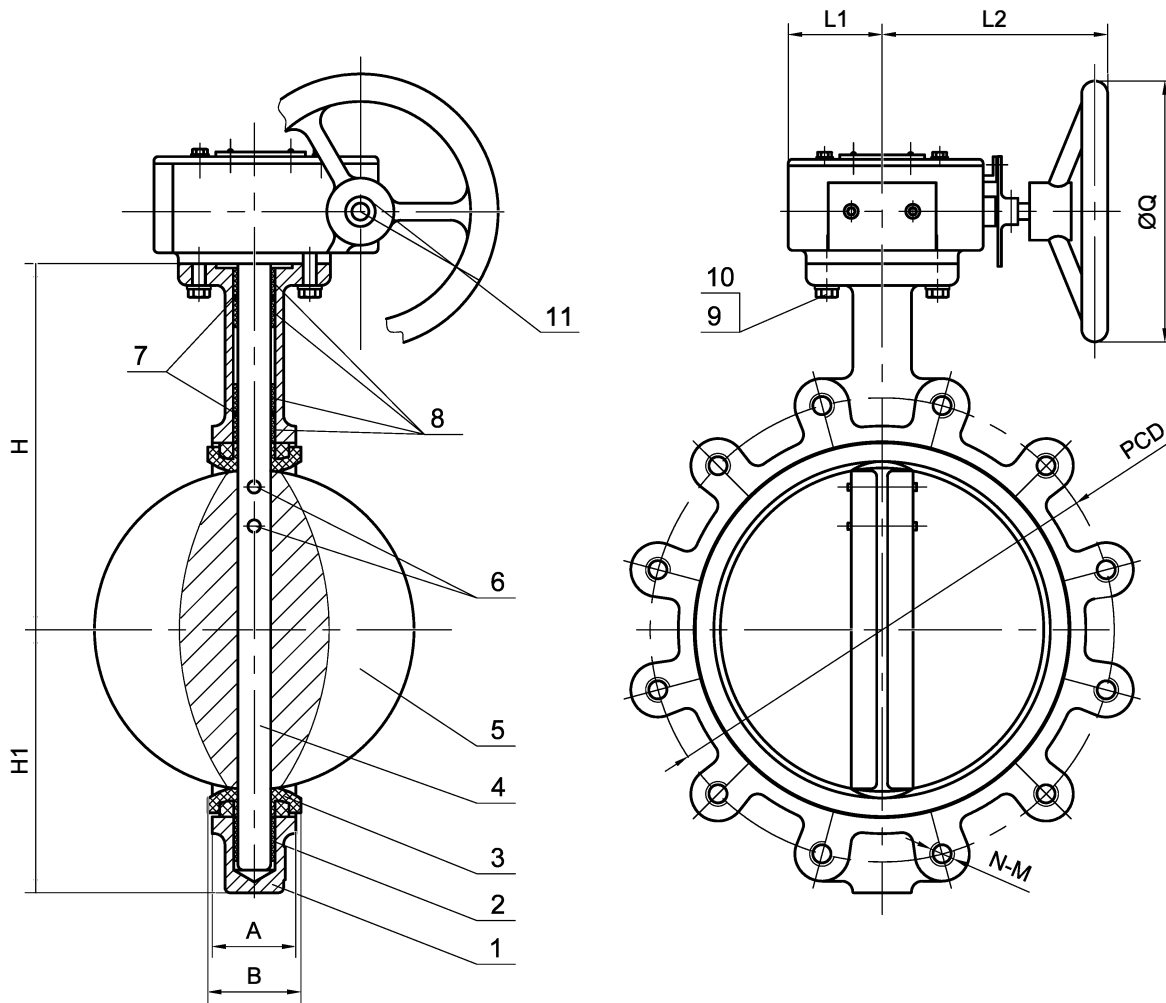
No.	PART	Qty	MATERIAL
1	Body	1	CI
2	Bushing	1	PTFE
3	Seat	1	VITON
4	Shaft	1	SS 416
5	Disc	1	CF8M
6	Pins	1-2	SS 316(1 FIT 2"-3",2 FIT4"-)
7	O-Ring	2	VITON
8	Bushing	4	PTFE
9	Bolts	2	SS304
10	Spring washer	2	SS304
11	Lever	1	MALLEABLE IRON
12			
13			
14			
15			
16			
17			
18			
19			
20			
21			
22			
23			
24			
25			

Test Pressure	Shell Test	2.4 MPa
	Seal Test	1.76 MPa
	Air Test	MPa
	Suitable Temp.	-20°C-160°C (VITON)
Standard	Face to Face	ASME B16.10
	End Connection	AS2129 T/E
	Valve Design	ISO 5752/API 609/BS EN593
	Valve Test	BS EN12266-1

Dimensions (mm)

NPS	DN	A	B	C	G	D	PCD	N-M										
2"	50	161	80	42	267	46.1	114	4-M16										
2 1/2"	65	175	89	45	267	49.1	127	4-M16										
3"	80	181	95	45	267	49.1	146	4-M16										
4"	100	200	114	51	267	55.3	178	8-M16										
5"	125	213	127	54.5	267	58.8	210	8-M16										
6"	150	226	144	54.5	267	59.1	235	8-M20										
8"	200	260	175	59.6	359	64.1	292	8-M20										

Drawing No.	Date	Figure No.	Rev No.	
YH	Oct.3, 2018	CBV-L-LUGVT	002	
Lug Type Butterfly Valve, Viton Seat				
FLOCONTROL				




No.	PART	Qty	MATERIAL
1	Body	1	CI
2	Bushing	1	PTFE
3	Seat	1	VITON
4	Shaft	1	SS 416
5	Disc	1	CF8M
6	Pins	2	SS 316
7	O-Ring	2	VITON
8	Bushing	4	PTFE
9	Bolts	4	SS304
10	Spring washer	4	SS304
11	Actuator	1	GEAR OPERATOR
12			
13			
14			
15			
16			
17			
18			
19			
20			
21			
22			
23			
24			
25			

Test Pressure	Shell Test	2.4 MPa
	Seal Test	1.76 MPa
	Air Test	MPa
	Suitable Temp.	-20°C-160°C (VITON)
Standard	Face to Face	ASME B16.10
	End Connection	AS2129 T/E
	Valve Design	ISO 5752/API 609/BS EN593
	Valve Test	BS EN12266-1

Dimensions (mm)

NPS	DN	A	B	L1	L2	H	H1	ØQ	PCD	N-M							
10"	250	67	72	237	63	292	202	300	356	12-M20							
12"	300	76	81	225	80	337	242	300	406	12-M24							
14"	350	76	81	225	80	338	259	300	470	12-M24							

Drawing No.	Date	Figure No.	Rev No.	
YH	Oct.3, 2018	CBV-L-LUGVT	002	
CI Lug Type Butterfly Valve, Viton Seat				
FLOCONTROL				