


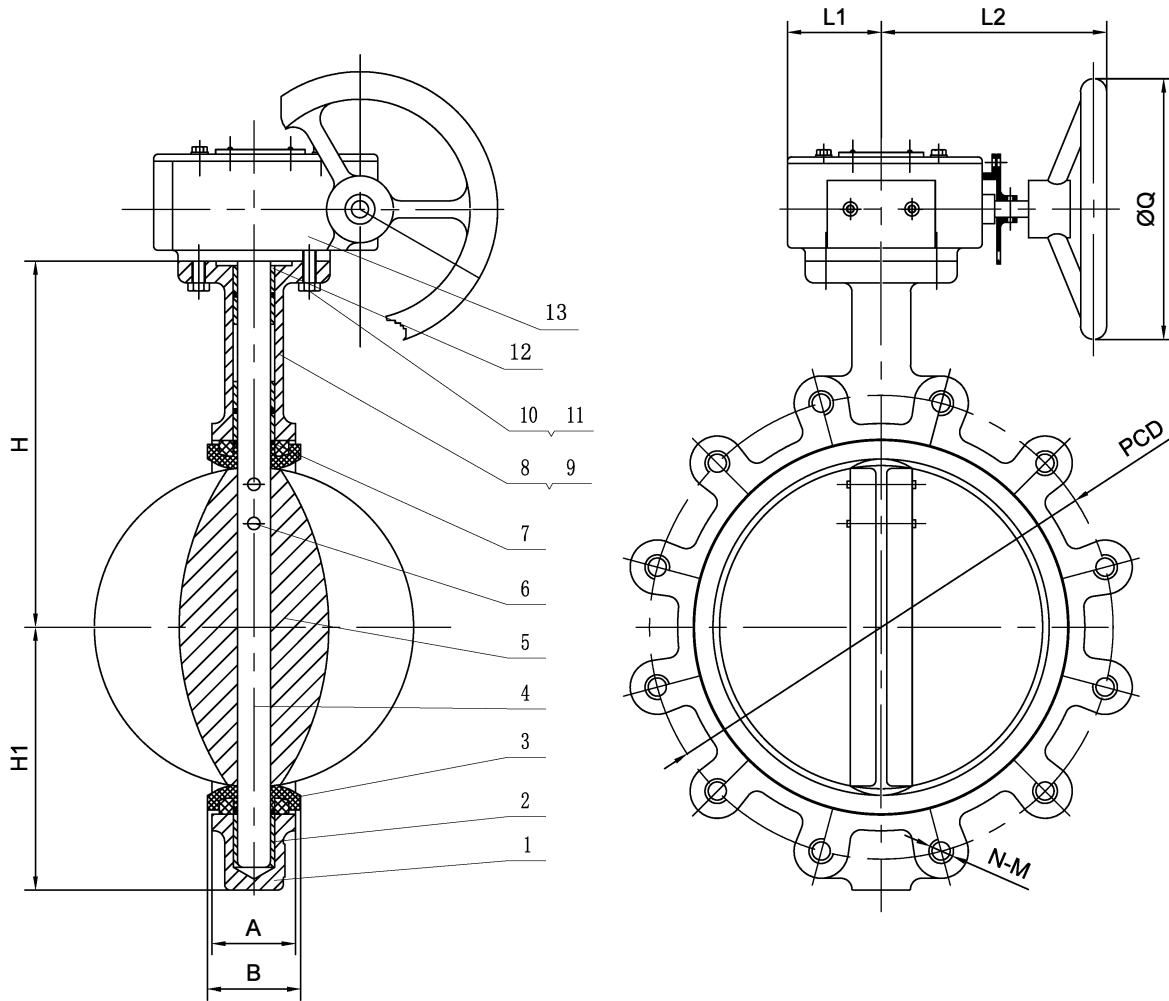
No.	PART	Qty	MATERIAL
1	Body	1	CI
2	Bushing	5	PTFE
3	Seat	1	NBR
4	Shaft	1	SS 416
5	Disc	1	CF8M
6	Pins	1-2	SS 316(1 FIT 2"-3",2 FIT4"-)
7	O-Ring	2	NBR
8	Bolts	2	SS304
9	Gaskets	2	SS304
10	Lever	1	MALLEABLE IRON
11			
12			
13			
14			
15			
16			
17			
18			
19			
20			
21			
22			
23			
24			
25			

Test Pressure	Shell Test	2.4 MPa
	Seal Test	1.76 MPa
	Air Test	MPa
	Suitable Temp.	-10°C-80°C (NBR)
Standard	Face to Face	ASME B16.10
	End Connection	AS2129 T/D
	Valve Design	ISO 5752/API 609/BS EN593
	Valve Test	BS EN12266-1

Dimensions (mm)

NPS	DN	A	B	C	G	D	PCD	N-M										
4"	100	200	114	51	267	55.3	178	4-M16										
5"	125	213	127	54.5	267	58.8	210	8-M16										
6"	150	226	144	54.5	267	59.1	235	8-M16										
8"	200	260	175	59.6	359	64.1	292	8-M16										

Drawing No.	Date	Figure No.	Rev No.	
YH	Oct.3, 2018	CBV-L-LUGR-TD	002	
CI Lug Type Butterfly Valve, NBR Seat, Lever, T/D				
FLOCONTROL				




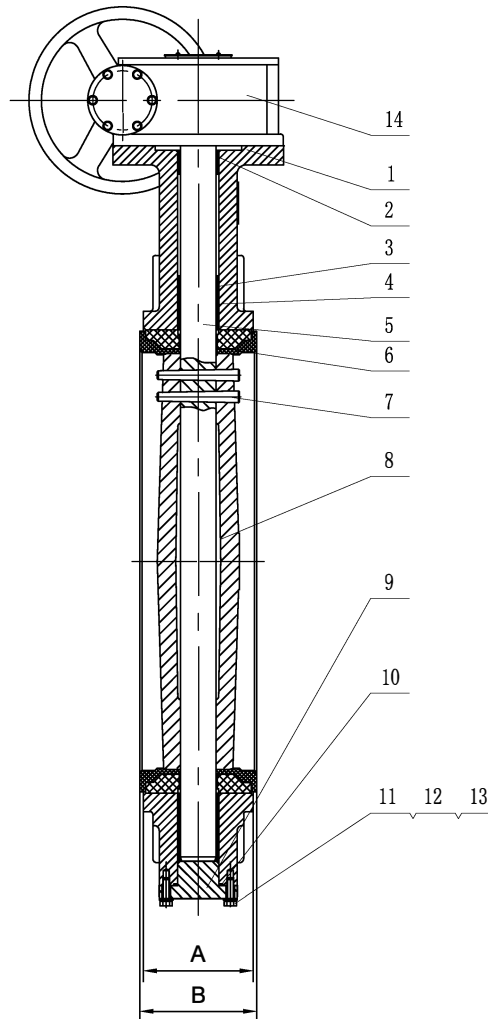
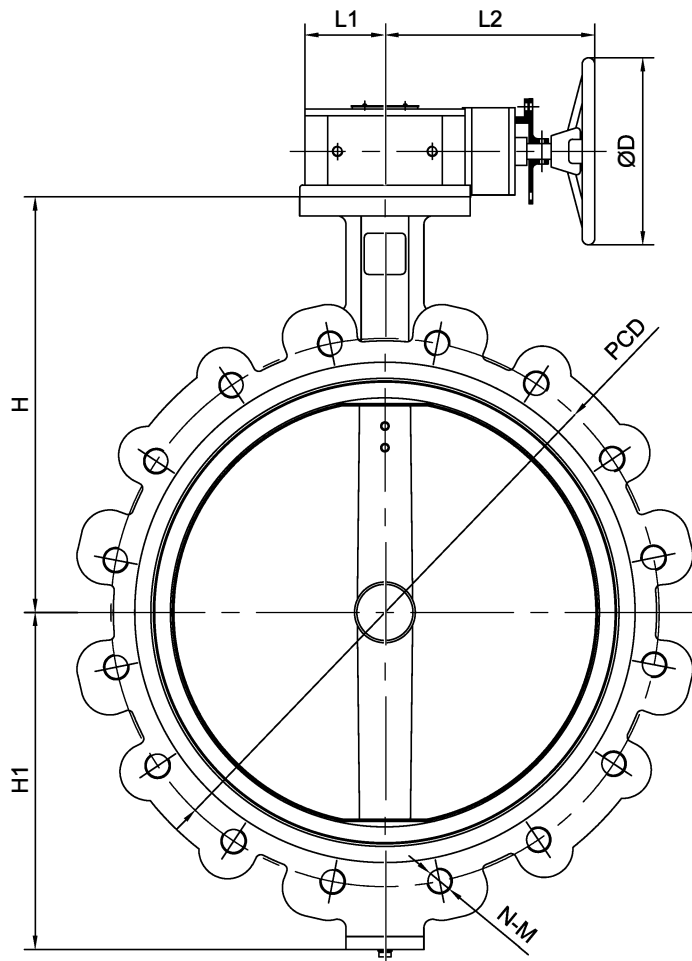
No.	PART	Qty	MATERIAL
1	Body	1	CI
2	Bushing	2	PTFE
3	Seat	1	NBR
4	Shaft	1	SS 416
5	Disc	1	CF8M
6	Pins	2	SS 316
7	O-Ring	2	NBR
8	Plate	1	STAINLESS STEEL
9	Rivets Plate	2	ALUMINUM
10	Bolts	4	SS304
11	Gaskets	4	SS304
12	Bushing	3	PTFE
13	Actuator	1	GEAR OPERATOR
14			
15			
16			
17			
18			
19			
20			
21			
22			
23			
24			
25			

Test Pressure	Shell Test	2.4 MPa
	Seal Test	1.76 MPa
	Air Test	MPa
	Suitable Temp.	-10°C-80°C (NBR)
Standard	Face to Face	ASME B16.10
	End Connection	AS2129 T/D
	Valve Design	ISO 5752/API 609/BS EN593
	Valve Test	BS EN12266-1

Dimensions (mm)

NPS	DN	A	B	L1	L2	H	H1	ØQ	PCD	N-M							
10"	250	67	72	237	63	292	202	300	356	8-M20							
12"	300	76	81	225	80	337	242	300	406	12-M20							
14"	350	76	81	225	80	368	272	300	470	12-M24							

Drawing No.	Date	Figure No.	Rev No.	
YH	Oct.3, 2018	CBV-L-LUGR-TD	002	
CI Lug Type Butterfly Valve, NBR Seat, Gear, T/D				
FLOCONTROL				




Dimensions (mm)

NPS	DN	L1	L2	H	H1	A	ØG	B	PCD	N-M							
16"	400	125	275	400	297	102	385	107	521	12-M24							
20"	500	130	350	480	361	127	397	132	641	16-M24							
24"	600	130	350	562	459	151	397	156	756	16-M27							

No.	PART	Qty	MATERIAL
1	Body	1	CI
2	Short Bushing	3	BRONZE
3	O-Ring	3	NBR
4	Long Bushing	3	BRONZE
5	Stem	1	SS 416
6	Seat	1	NBR
7	Pins	2	SS 316
8	Disc	1	CF8M
9	Cover	1	CI
10	O-Ring	1	NBR
11	Washer	2	SS304
12	Elastic Washer	2	SS304
13	Bolt	2	SS304
14	Actuator	1	GEAR OPERATOR
15			
16			
17			
18			
19			
20			
21			
22			
23			
24			
25			

Test Pressure	Shell Test	2.4 MPa
	Seal Test	1.76 MPa
	Air Test	MPa
	Suitable Temp.	-10°C-80°C (NBR)
Standard	Face to Face	ASME B16.10
	End Connection	AS2129 T/D
	Valve Design	ISO 5752/API 609/BS EN593
	Valve Test	BS EN12266-1

Drawing No.	Date	Figure No.	Rev No.	
YH	Oct.3, 2018	CBV-L-LUGR-TD	002	
CI Lug Type Butterfly Valve, NBR Seat, Gear, T/D				
FLOCONTROL				