

No.	PART	Qty	MATERIAL
1	BODY	1	CF8M
2	BUSHING	1	PTFE
3	O-RING	4	VITON
4	SEAT	1	PTFE
5	DISC	1	CF8M
6	SHAFT	1	SS416
7	BUSHING	4	PTFE
8	LEVER	1	SS304
9	Bolts	2	SS304
10	Gaskets	2	SS304
11	Nuts	2	SS304
12			
13			
14			
15			
16			
17			
18			
19			
20			
21			
22			
23			
24			
25			

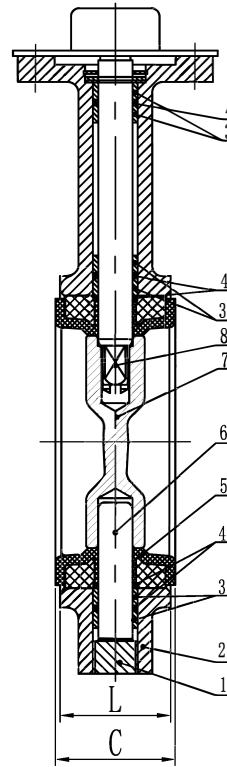
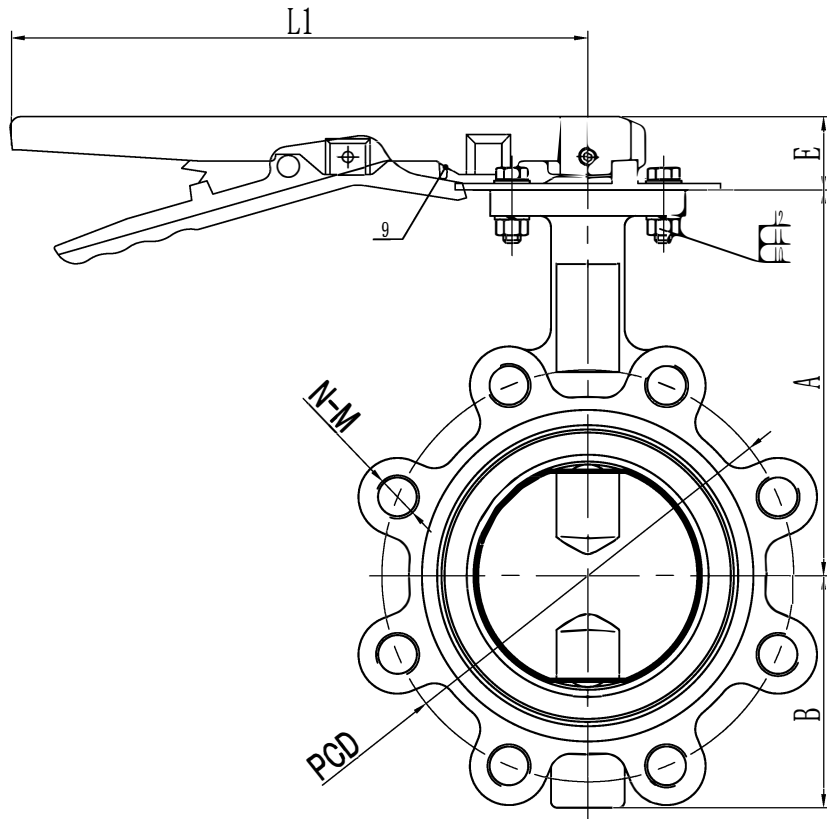
Test Pressure	Shell Test	2.4 MPa
	Seal Test	1.76 MPa
	Air Test	MPa
	Suitable Temp.	-20°C-120°C (TEFLON)
Standard	Face to Face	ASME B16.10
	End Connection	AS2129 T/E
	Valve Design	ISO 5752/API 609/BS EN593
	Valve Test	BS EN12266-1

Drawing No.	Date	Figure No.	Rev No.
YH	Oct.3, 2018	ARSBFL-TE	002
SS316 Lug Type Butterfly Valve, Lever, T/E			
FLOCONTROL			



Dimensions (mm)

NPS	DN	L	A	B	E	L1	C	PCD	N-M
1 1/2"	40	33	110	68	33	260	36	98	4-M12




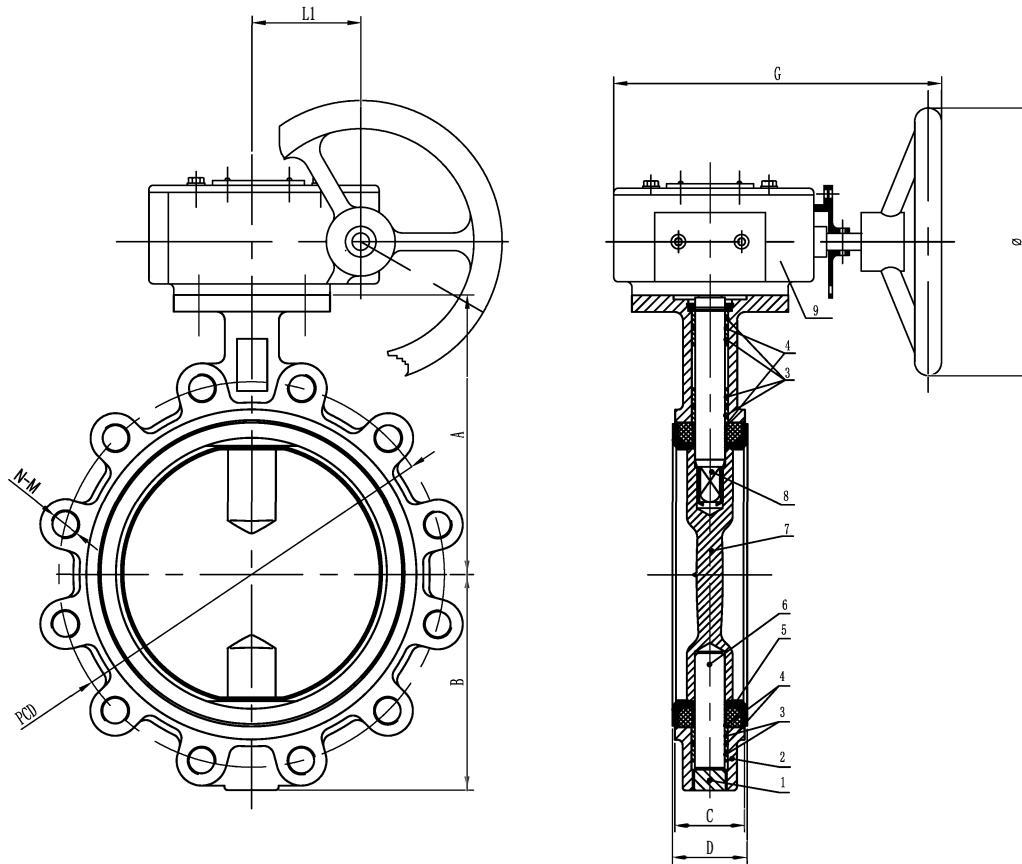
No.	PART	Qty	MATERIAL
1	PLUG SCREW	1	CARBON STEEL GALVANIZED
2	BODY	1	ASTM A351 CF8M
3	BUSHING	6	PTFE
4	O-RING	5	VITON
5	SEAT	1	PTFE
6	DOWN STEM	1	SS416
7	DISC	1	ASTM A351 CF8M
8	UP STEM	1	SS416
9	LEVER	1	SS304
10	Bolts	2	SS304
11	Gaskets	2	SS304
12	Nuts	2	SS304
13			
14			
15			
16			
17			
18			
19			
20			
21			
22			
23			
24			
25			

Test Pressure	Shell Test	2.4 MPa
	Seal Test	1.76 MPa
	Air Test	MPa
	Suitable Temp.	-20°C-120°C (TEFLON)
Standard	Face to Face	ASME B16.10
	End Connection	AS2129 T/E
	Valve Design	ISO 5752/API 609/BS EN593
	Valve Test	BS EN12266-1

Dimensions (mm)

NPS	DN	L	A	B	E	L1	C	PCD	N-M								
2"	50	42.0	142.7	71.4	33	260	46.1	114	4-M16								
2 1/2"	65	44.5	155.4	86.0	33	260	49.1	127	4-M16								
3"	80	44.5	161.8	89.0	33	260	49.1	146	4-M16								
4"	100	51.0	178.0	107.0	33	260	55.3	178	8-M16								
5"	125	54.5	190.5	123.0	33	260	58.8	210	8-M16								
6"	150	54.5	205.2	138.0	33	260	59.1	235	8-M20								
8"	200	59.6	237.0	171.0	36	358	64.1	292	8-M20								

Drawing No.	Date	Figure No.	Rev No.	
YH	Oct.3, 2018	ARSBFL-TE	002	
SS316 Lug Type Butterfly Valve, Lever, T/E				
FLOCONTROL				



No.	PART	Qty	MATERIAL
1	PLUG SCREW	1	CARBON STEEL GALVANIZED
2	BODY	1	CF8M
3	BUSHING	6	PTFE
4	O-RING	5	VITON
5	SEAT	1	PTFE
6	DOWN STEM	1	SS416
7	DISC	1	CF8M
8	UP STEM	1	SS416
9	GEAR	1	CI
10			
11			
12			
13			
14			
15			
16			
17			
18			
19			
20			
21			
22			
23			
24			
25			

Test Pressure	Shell Test	2.4 MPa
	Seal Test	1.1 MPa
	Air Test	MPa
	Suitable Temp.	-20°C-120°C (PTFE)
Standard	Face to Face	ASME B16.10
	End Connection	AS2129 T/E
	Valve Design	ISO 5752/API 609/BS EN593
	Valve Test	BS EN12266-1

Drawing No.	Date	Figure No.	Rev No.
YH	Oct.3, 2018	ARSBFL-TE	002

Dimensions (mm)

NPS	DN	A	B	C	L1	G	Ø	D	PCD	N-M
10"	250	268.3	207.0	67.0	63	313	300	71.8	356	12-M20
12"	300	308.5	243.5	75.5	78	307	300	79.5	406	12-M24

SS316 Lug Type Butterfly Valve, Gear, T/E			
FLOCONTROL			

