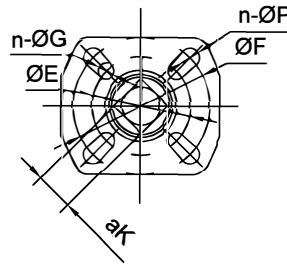


Mounting PAD  
ISO 5211



Dimensions (mm)

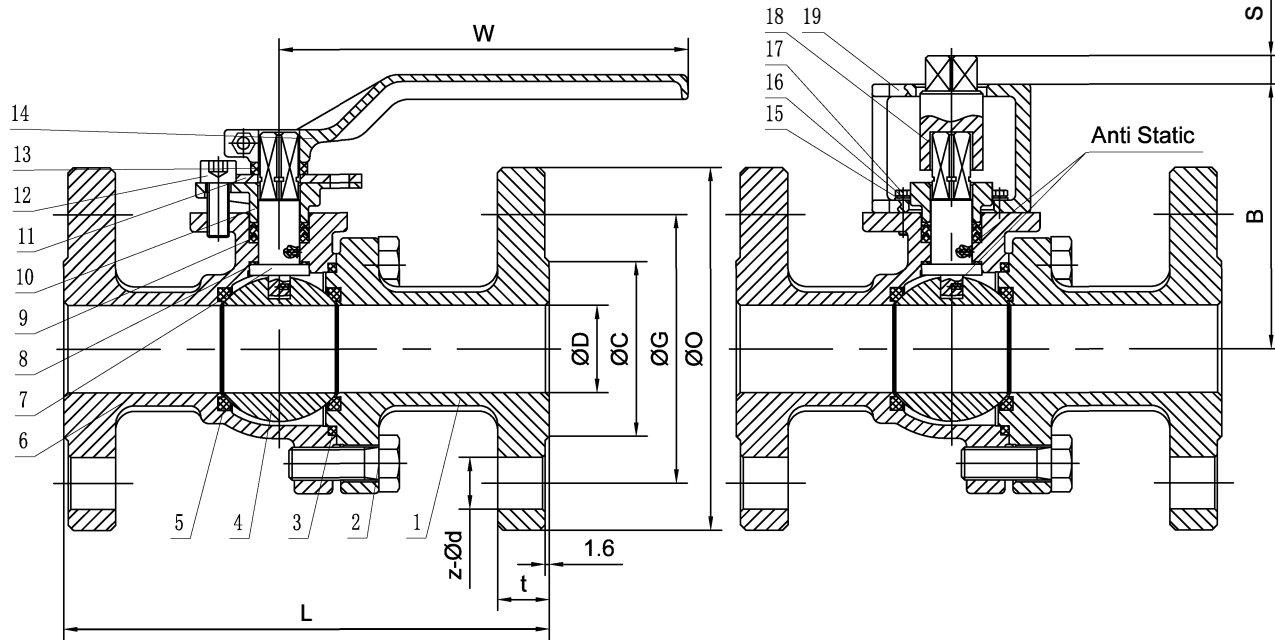
NPS	DN	L	D	C	G	O	t	Z-Ød	W	B	S	K	E	F	n-ØG	n-ØP
1/2"	15	140	15	35	66.5	95	15	4-Ø16	130	82	10	11	36	50	4-Ø6	4-Ø7
3/4"	20	152	20	43	82.5	117	16	4-Ø19	130	89	10	11	36	50	4-Ø6	4-Ø7
1"	25	165	25	51	89.0	124	18	4-Ø19	150	92	13	14	36	50	4-Ø6	4-Ø7
1 1/4"	32	178	32	64	98.5	133	19	4-Ø19	150	97	13	14	36	50	4-Ø6	4-Ø7

No.	PART	Qty	MATERIAL
1	Bonnet	1	ASTM A216 WCB
2	Bolt	4	ASTM A193 B7
3	Gasket	1	RPTFE
4	Ball	1	SS 316
5	Seat	2	RPTFE
6	Body	1	ASTM A216 WCB
7	Stem	1	ASTM A276 316
8	Stem Washer	1	RPTFE
9	Packing	-	RPTFE
10	Gland	1	ASTM A216 WCB
11	Stopper	1	SS 304
12	Bolt	2	ASTM A193 B7
13	Handle washer	1	PVC
14	Handle	1	SS 201
15	Washer	4	SS 304
16	Spring Washer	4	SS 304
17	Hexagon Head Bolt	4	ASTM A193 B7
18	Coupler	1	ASTM A29 1025
19	Yoke	1	ASTM A351 CF8
20			
21			
22			
23			
24			
25			

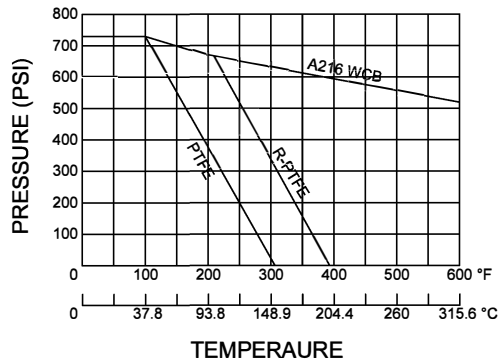
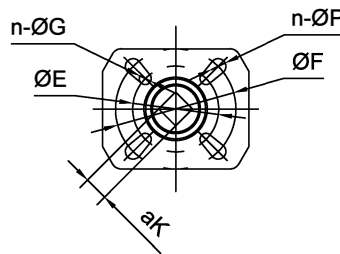
Test Pressure	Shell Test	7.5 MPa
	Seal Test	5.5 MPa
	Air Test	0.6 MPa
	Suitable Temp.	-29 ~ 180 °C
Standard	Face to Face	ASME B16.10
	End Connection	ASME B16.5
	Valve Design	ASME B16.34
	Valve Test	API 598

Drawing No.	Date	Figure No.	Rev No.
AN	Feb.3.2018	BB030107	002
Ball Valve, Class 300 , API607 Fire-Safe			
FLDCDNTRDL			





Mounting PAD  
ISO 5211



Dimensions (mm)

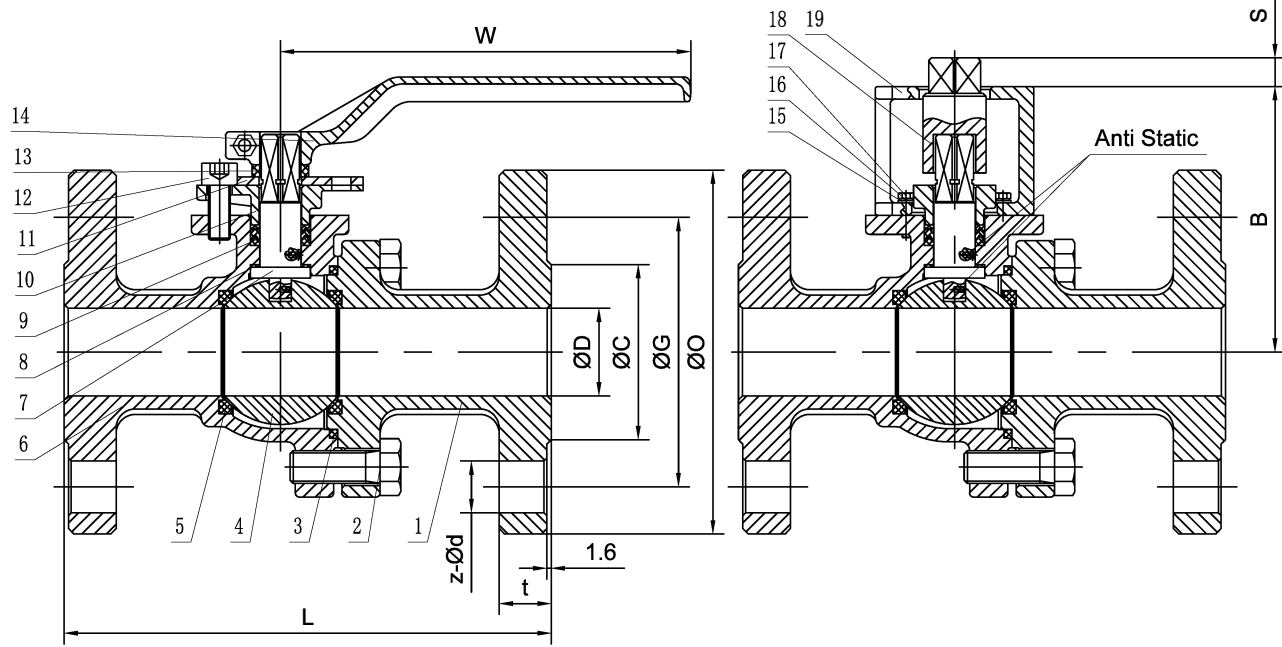
NPS	DN	L	D	C	G	O	t	Z-Ød	W	B	S	K	E	F	n-ØG	n-ØP
1 1/2"	40	190	38	73	114.5	156	21	4-Ø22	200	123	13	14	50	70	4-Ø7	4-Ø9
2"	50	216	50	92	127.0	165	23	8-Ø19	200	129	16	17	50	70	4-Ø7	4-Ø9
2 1/2"	65	241	63	105	149.0	190	26	8-Ø22	240	143	16	17	50	70	4-Ø7	4-Ø9

No.	PART	Qty	MATERIAL
1	Bonnet	1	ASTM A216 WCB
2	Bolt	4	ASTM A193 B7
3	Gasket	1	RPTFE
4	Ball	1	SS 316
5	Seat	2	RPTFE
6	Body	1	ASTM A216 WCB
7	Stem	1	ASTM A276 316
8	Stem Washer	1	RPTFE
9	Packing	-	RPTFE
10	Gland	1	ASTM A216 WCB
11	Stopper	1	SS 304
12	Bolt	2	ASTM A193 B7
13	Handle washer	1	PVC
14	Handle	1	SS 201
15	Washer	4	SS 304
16	Spring Washer	4	SS 304
17	Hexagon Head Bolt	4	ASTM A193 B7
18	Coupler	1	ASTM A29 1025
19	Yoke	1	ASTM A351 CF8
20			
21			
22			
23			
24			
25			

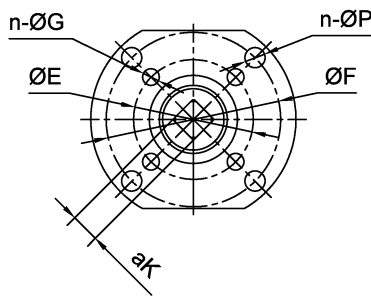
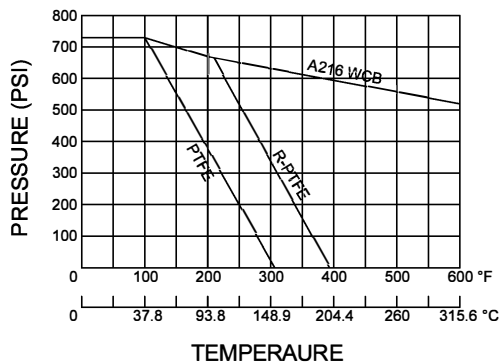
Test Pressure	Shell Test	7.5 MPa
	Seal Test	5.5 MPa
	Air Test	0.6 MPa
	Suitable Temp.	-29 ~ 180 °C
Standard	Face to Face	ASME B16.10
	End Connection	ASME B16.5
	Valve Design	ASME B16.34
	Valve Test	API 598

Drawing No.	Date	Figure No.	Rev No.
AN	Feb.3, 2018	BB030107	002
Ball Valve, Class 300 , API607 Fire-Safe			
FLOCONTROL			





Mounting PAD  
ISO 5211



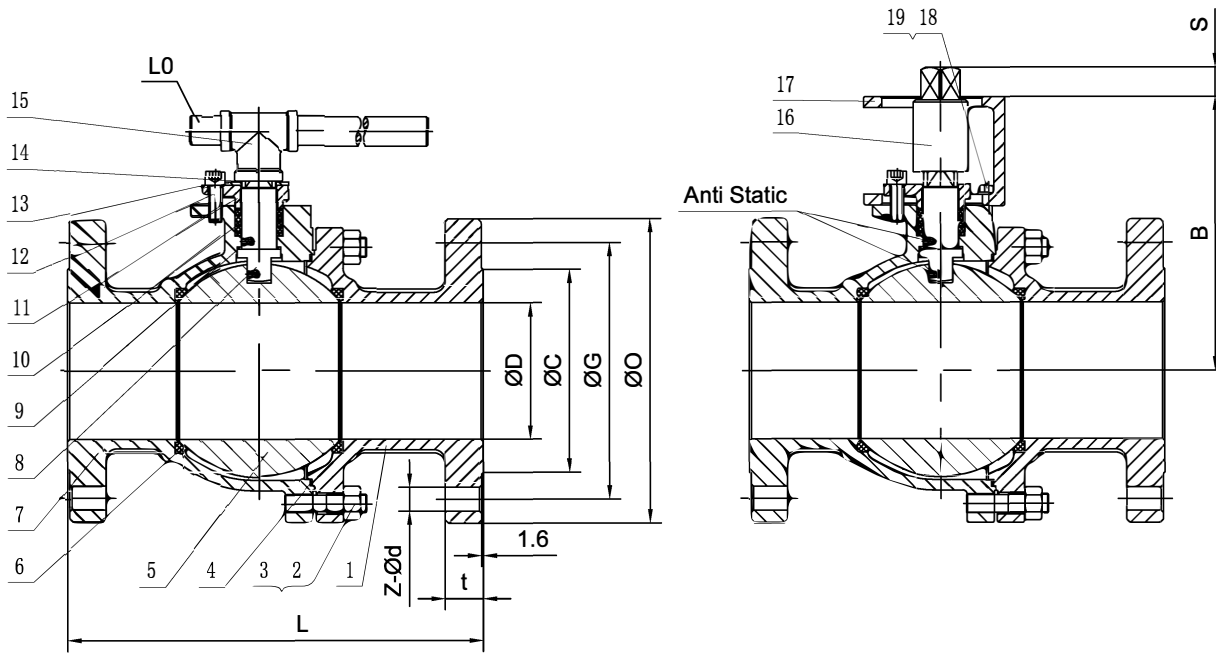
No.	PART	Qty	MATERIAL
1	Bonnet	1	ASTM A216 WCB
2	Bolt	4	ASTM A193 B7
3	Gasket	1	RPTFE
4	Ball	1	SS 316
5	Seat	2	RPTFE
6	Body	1	ASTM A216 WCB
7	Stem	1	ASTM A276 316
8	Stem Washer	1	RPTFE
9	Packing	-	RPTFE
10	Gland	1	ASTM A216 WCB
11	Stopper	1	SS 304
12	Bolt	2	ASTM A193 B7
13	Handle washer	1	PVC
14	Handle	1	SS 201
15	Washer	4	SS 304
16	Spring Washer	4	SS 304
17	Hexagon Head Bolt	4	ASTM A193 B7
18	Coupler	1	ASTM A29 1025
19	Yoke	1	ASTM A351 CF8
20			
21			
22			
23			
24			
25			

Test Pressure	Shell Test	7.5 MPa
	Seal Test	5.5 MPa
	Air Test	0.6 MPa
	Suitable Temp.	-29 ~ 180 °C
Standard	Face to Face	ASME B16.10
	End Connection	ASME B16.5
	Valve Design	ASME B16.34
	Valve Test	API 598

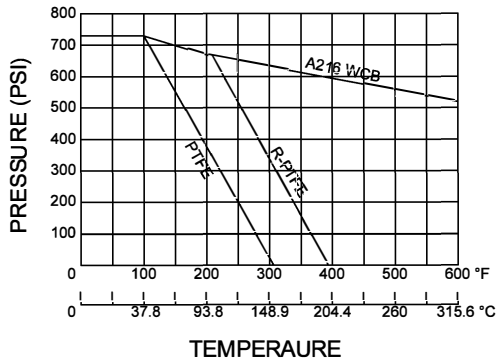
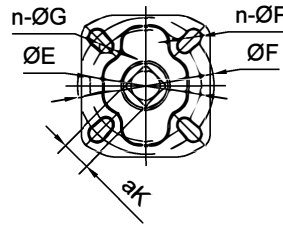
Drawing No.	Date	Figure No.	Rev No.	
AN	Feb 3, 2018	BB030107	002	
Ball Valve, Class 300 , API607 Fire-Safe				
FLOCONTROL				

Dimensions (mm)

NPS	DN	L	D	C	G	O	t	Z-Ød	W	B	S	K	E	F	n-ØG	n-ØP
3"	80	283	76	127	168.5	210	29	8-Ø22	270	175	23	22	70	102	4-Ø10	4-Ø11
4"	100	305	100	157	200.0	254	32	8-Ø22	320	195	23	22	70	102	4-Ø10	4-Ø11



Mounting PAD  
ISO 5211




Dimensions (mm)

NPS	DN	L	D	C	G	O	t	Z-Ød	B	S	K	E	F	n-ØG	n-ØP
5"	125	381	125	186	235	279	35	8-Ø22	251	27	27	102	125	4-Ø12	4-Ø14
6"	150	403	150	216	270	318	37	12-Ø22	276	27	27	140	165	4-Ø18	4-Ø22

No.	PART	Qty	MATERIAL
1	Bonnet	1	ASTM A216 WCB
2	Stud	-	ASTM A193 B7
3	Nut	-	ASTM A194 2H
4	Gasket	1	RPTFE
5	Ball	1	SS 316
6	Seat	2	RPTFE
7	Body	1	ASTM A216 WCB
8	Stem	1	ASTM A276 316
9	Stem Washer	1	RPTFE
10	Packing	-	RPTFE
11	Gland	1	ASTM A216 WCB
12	Bolt	2	ASTM A193 B7
13	Stopper	1	ASTM A240 304
14	Snap Ring	1	SS 304
15	Handle	1	Stainless steel
16	Coupler	1	ASTM A29 1025
17	Yoke	1	ASTM A351 CF8
18	Bolt	4	ASTM A193 B7
19	WASHER	4	SS304
20			
21			
22			
23			
24			
25			

Test Pressure	Shell Test	7.5 MPa
	Seal Test	5.5 MPa
	Air Test	0.6 MPa
	Suitable Temp.	-29 ~ 180 °C
Standard	Face to Face	ASME B16.10
	End Connection	ASME B16.5
	Valve Design	ASME B16.34
	Valve Test	API 598

Drawing No.	Date	Figure No.	Rev No.	
AN	Feb.3, 2018	BB030107	002	
Ball Valve, Class 300 , API607 Fire-Safe				
FLOCONTROL				