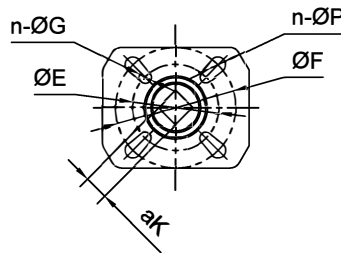


Mounting PAD  
ISO 5211



No.	PART	Qty	MATERIAL
1	Body	1	ASTM A216 WCB
2	Seat	2	RPTFE
3	Ball	1	SS 316
4	Gasket	1	RPTFE
5	Bolt	4	ASTM A193 B7
6	Bonnet	1	ASTM A216 WCB
7	Stem	1	ASTM A276 316
8	Stem Washer	1	RPTFE
9	Packing	-	RPTFE
10	Gland	1	ASTM A216 WCB
11	Bolt	2	ASTM A193 B7
12	Handle	1	STAINLESS TEEL
13	RING	1	PVC
14	Stopper	1	SS 304
15	Washer	4	SS 304
16	Spring Washer	4	SS 304
17	Hexagon Head Bolt	4	ASTM A193 B7
18	Coupler	1	ASTM A29 1025
19	Yoke	1	ASTM A351 CF8
20			
21			
22			
23			
24			
25			

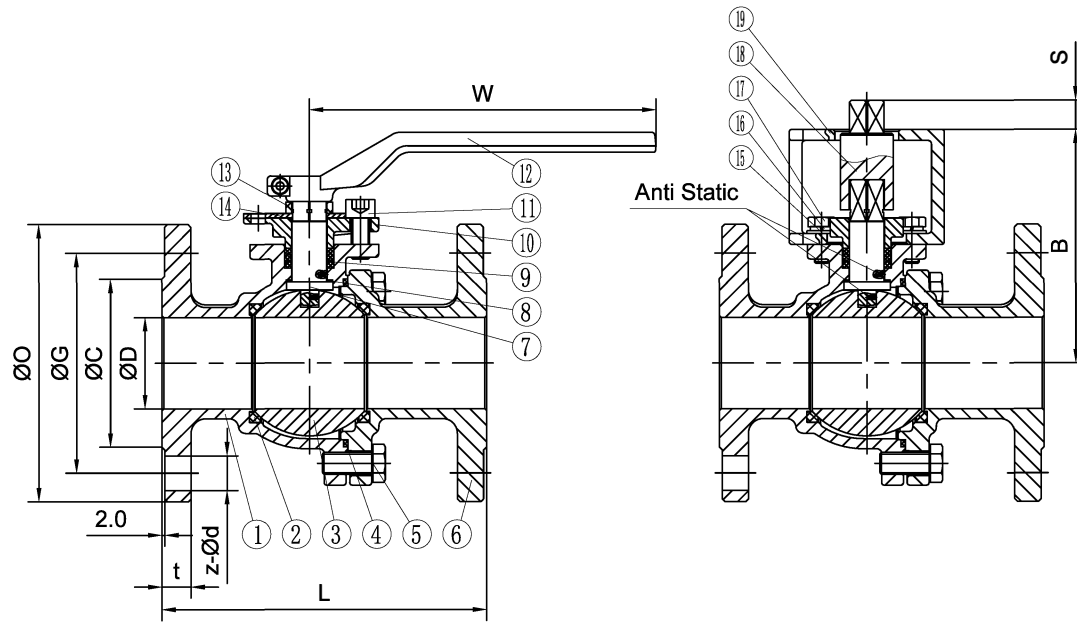
Test Pressure	Shell Test	3.0 MPa
	Seal Test	2.2 MPa
	Air Test	0.6 MPa
	Suitable Temp.	-29 ~ 180 °C
Standard	Face to Face	ASME B16.10
	End Connection	ASME B16.5
	Valve Design	ASME B16.34
	Valve Test	API 598

Dimensions (mm)

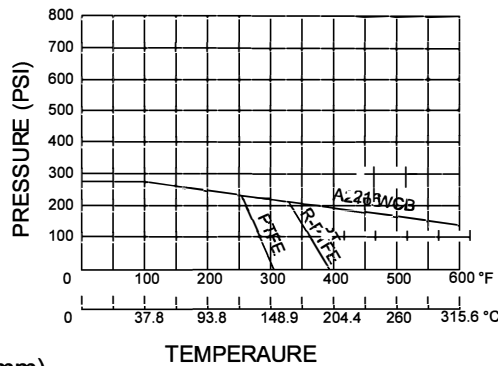
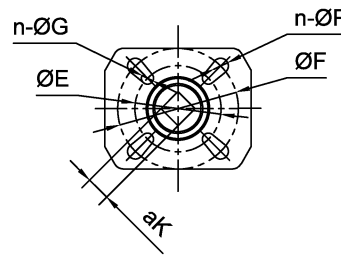
NPS	DN	L	D	C	G	O	t	Z-Ød	W	B	S	K	E	F	n-ØG	n-ØP
1/2"	15	108	15	35	60.3	90	10.0	4-Ø16	130	82	10	11	36	50	4-Ø6	4-Ø7
3/4"	20	117	20	43	69.9	100	10.9	4-Ø16	130	89	10	11	36	50	4-Ø6	4-Ø7
1"	25	127	25	51	79.4	110	11.6	4-Ø16	150	92	13	14	36	50	4-Ø6	4-Ø7
1 1/4"	32	140	32	64	88.9	115	13.2	4-Ø16	150	97	13	14	36	50	4-Ø6	4-Ø7

Drawing No.	Date	Figure No.	Rev No.
AN	Feb 3, 2018	BB010107	002
Ball Valve, Class 150, API607 Fire-Safe			
FLOCONTROL			





Mounting PAD  
ISO 5211



Dimensions (mm)

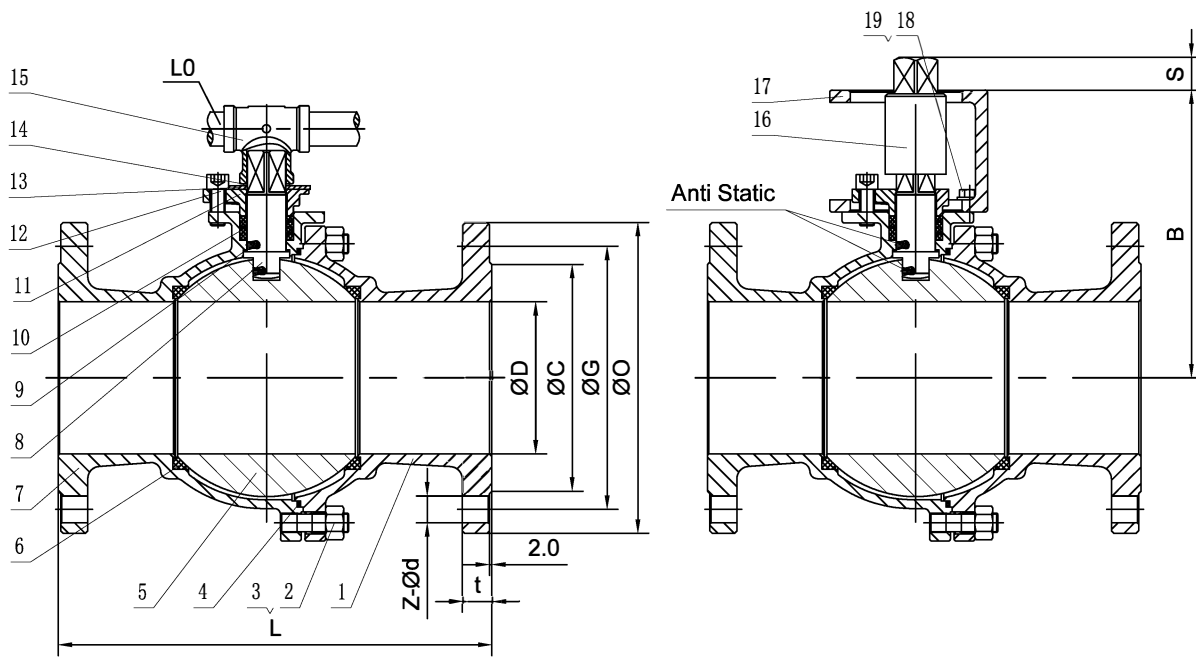
NPS	DN	L	D	C	G	O	t	Z-Ød	W	B	S	K	E	F	n-ØG	n-ØP
11/2"	40	165	38	73	98.4	125	14.7	4-Ø16	200	119	14	14	50	70	4-Ø7	4-Ø9
2"	50	178	50	92	120.7	150	16.3	4-Ø19	200	128	17	17	50	70	4-Ø7	4-Ø9
2 1/2"	65	190	63	105	139.7	180	17.9	4-Ø19	240	139	17	17	50	70	4-Ø7	4-Ø9
3"	80	203	76	127	152.4	190	19.5	4-Ø19	270	169	22	22	70	102	4-Ø10	4-Ø11
4"	100	229	100	157	190.5	230	24.3	8-Ø19	320	192	22	22	70	102	4-Ø10	4-Ø11

No.	PART	Qty	MATERIAL
1	Body	1	ASTM A216 WCB
2	Seat	2	RPTFE
3	Ball	1	SS 316
4	Gasket	1	RPTFE
5	Bolt	4	ASTM A193 B7
6	Bonnet	1	ASTM A216 WCB
7	Stem	1	ASTM A276 316
8	Stem Washer	1	RPTFE
9	Packing	-	RPTFE
10	Gland	1	ASTM A216 WCB
11	Bolt	2	ASTM A193 B7
12	Handle	1	STAINLESS STEEL
13	RING	1	PVC
14	Stopper	1	SS 304
15	Washer	4	SS 304
16	Spring Washer	4	SS 304
17	Hexagon Head Bolt	4	ASTM A193 B7
18	Coupler	1	ASTM A29 1025
19	Yoke	1	ASTM A351 CF8
20			
21			
22			
23			
24			
25			

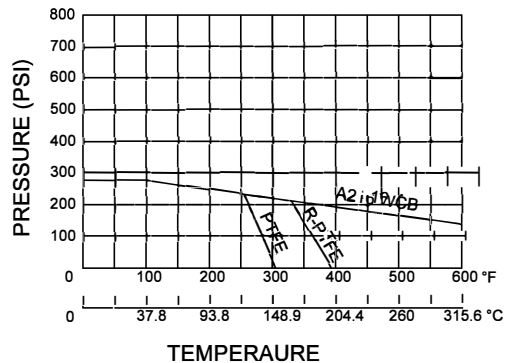
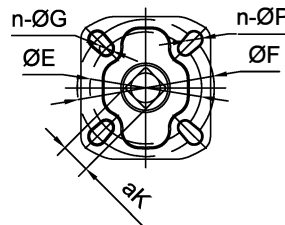
Test Pressure	Shell Test	3.0 MPa
	Seal Test	2.2 MPa
	Air Test	0.6 MPa
	Suitable Temp.	-29 ~ 180 °C
Standard	Face to Face	ASME B16.10
	End Connection	ASME B16.5
	Valve Design	ASME B16.34
	Valve Test	API 598

Drawing No.	Date	Figure No.	Rev No.
AN	Feb 3, 2018	BB010107	002
Ball Valve, Class 150, API607 Fire-Safe			
FLOCONTROL			






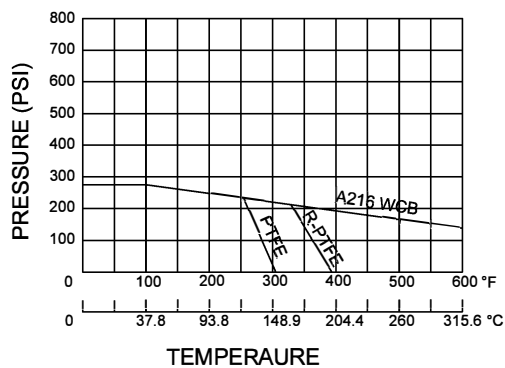
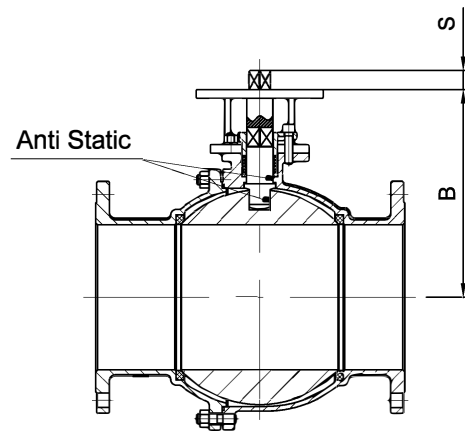
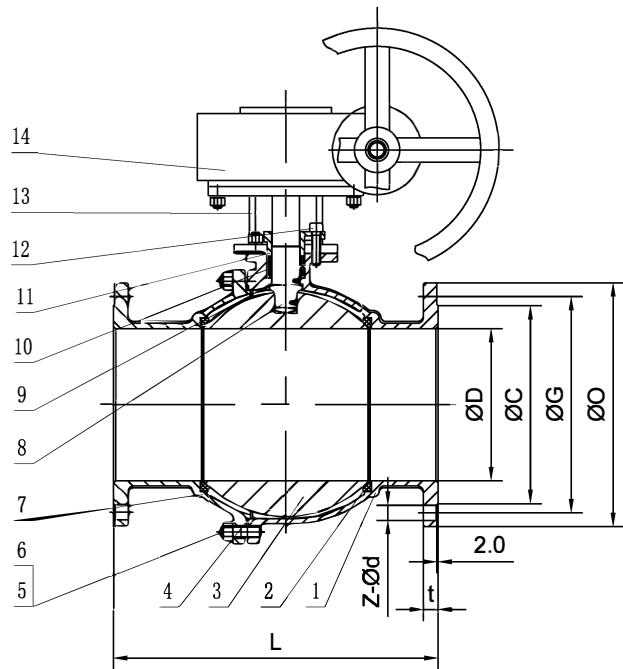
Mounting PAD  
ISO 5211



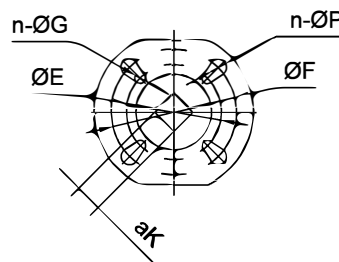
Dimensions (mm)

NPS	DN	L	D	C	G	O	t	Z-Ød	Lo	B	S	K	E	F	n-ØG	n-ØP
5"	125	356	125	186	215.9	255	24.3	8-Ø22	550	236	27	27	-	125	-	4-Ø14
6"	150	394	150	216	241.3	280	25.9	8-Ø22	650	256	27	27	102	125	4-Ø12	4-Ø14
8"	200	457	200	270	298.5	345	29.0	8-Ø22	800	305	27	27	140	165	4-Ø18	4-Ø22

No.	PART	Qty	MATERIAL	
1	Bonnet	1	ASTM A216 WCB	
2	Stud	-	ASTM A193 B7	
3	Nut	-	ASTM A194 2H	
4	Gasket	1	RPTFE	
5	Ball	1	SS 316	
6	Seat	2	RPTFE	
7	Body	1	ASTM A216 WCB	
8	Stem	1	ASTM A276 316	
9	Stem Washer	1	RPTFE	
10	Packing	-	RPTFE	
11	Gland	1	ASTM A216 WCB	
12	Bolt	2	ASTM A193 B7	
13	Stopper	1	ASTM A240 304	
14	Snap Ring	1	SS 304	
15	Handle	1	STAINLESS STEEL	
16	Coupler	1	ASTM A29 1025	
17	Yoke	1	ASTM A351 CF8	
18	Bolt	4	ASTM A193 B7	
19	WASHER	4	SS304	
20				
21				
22				
23				
24				
25				
Test Pressure	Shell Test	3.0 MPa		
	Seal Test	2.2 MPa		
	Air Test	0.6 MPa		
	Suitable Temp.	-29 ~ 180 °C		
Standard	Face to Face	ASME B16.10		
	End Connection	ASME B16.5		
	Valve Design	ASME B16.34		
	Valve Test	API 598		
Drawing No.	Date	Figure No.	Rev No.	
AN	Feb 3, 2018	BB010107	002	
Ball Valve, Class 150, API607 Fire-Safe				
FLOCONTROL				



Mounting PAD  
ISO 5211




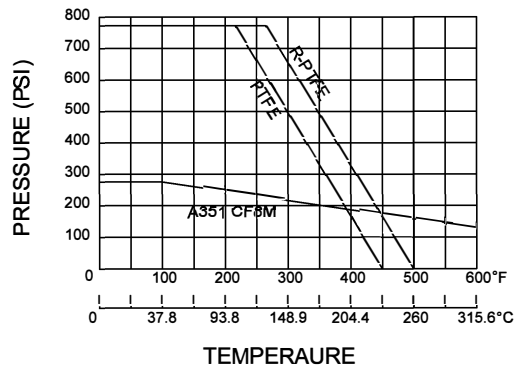
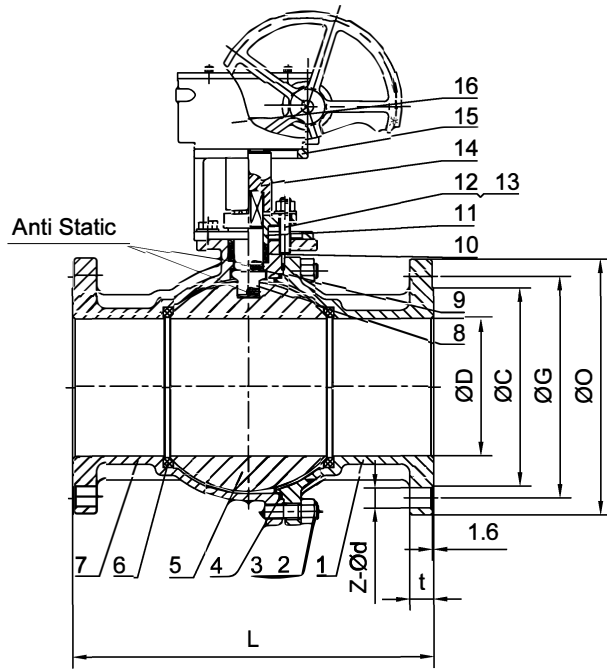
Dimensions (mm)

NPS	DN	L	D	C	G	O	t	Z-Ød	B	S	K	E	F	n-ØG	n-ØP
10"	250	533	250	324	362	405	30.6	12-Ø25	360	38	36	140	165	4-Ø18	4-Ø22
12	300	610	300	381	431.8	485	32.2	12-Ø25	400	38	36	140	165	4-Ø14	4-Ø22

No.	PART	Qty	MATERIAL
1	Body	1	ASTM A216 WCB
2	Seat Ring	2	RPTFE
3	Ball	1	SS 316
4	Gasket	1	RPTFE
5	Stud	-	ASTM A193 B7
6	Nut	-	ASTM A194 2H
7	Bonnet	1	ASTM A216 WCB
8	Stern	1	ASTM A276 316
9	Stem Washer	1	RPTFE
10	Packing	-	RPTFE
11	Gland	1	ASTM A216 WCB
12	Hex Socket Bolt	2	ASTM A193 B7
13	Bracket	1	ASTM A216 WCB
14	Worm Gear	1	ASSEMBLY
15			
16			
17			
18			
19			
20			
21			
22			
23			
24			
25			

Test Pressure	Shell Test	3.0 MPa
	Seal Test	2.2 MPa
	Air Test	0.6 MPa
	Suitable Temp.	-29 ~ 180 °C
Standard	Face to Face	ASME B16.10
	End Connection	ASME B16.5
	Valve Design	ASME B16.34
	Valve Test	API 598

Drawing No.	Date	Figure No.	Rev No.	
AN	Feb.3.2018	BB010107	002	
Ball Valve, Class 150, API607 Fire-Safe				
FLOCONTROL				




Dimensions (mm)

NPS	DN	L	D	C	G	O	t	Z-Ød								
8"	200	457	200	270	298.5	345	29.0	8-Ø22								

No.	PART	Qty	MATERIAL
1	Bonnet	1	ASTM A216 WCB
2	Stud	-	ASTM A193 B7
3	Nut	-	ASTM A194 2H
4	Gasket	1	RPTFE
5	Ball	1	SS 316
6	Seat	2	RPTFE
7	Body	1	ASTM A216 WCB
8	Stem	1	ASTM A276 316
9	Stem Washer	1	RPTFE
10	Packing	-	RPTFE
11	Gland	1	ASTM A216 WCB
12	Hex Socket Bolt	2	ASTM A193 B7
13	Nut	2	ASTM A194 2H
14	Coupler	1	ASTM A29 1025
15	Yoke	1	ASTM A351 CF8
16	Worm gear	1	
17			
18			
19			
20			
21			
22			
23			
24			
25			

Test Pressure	Shell Test	3.0 MPa
	Seal Test	2.2 MPa
	Air Test	0.6 MPa
	Suitable Temp.	-29 ~ 180 °C
Standard	Face to Face	ASME B16.10
	End Connection	ASME B16.5
	Valve Design	ASME B16.34
	Valve Test	API 598

Drawing No.	Date	Figure No.	Rev No.	
AN	Sep 27, 2019	BB010107	002	
Ball Valve, Class 150, API607 Fire-Safe				
FLOCONTROL				