

No.	PART	Qty	MATERIAL
1	Body	1	ASTM A351 CF8M
2	Seat	2	RPTFE
3	Ball	1	SS 316
4	Gasket	1	RPTFE
5	Bolt	4	ASTM A193 B8
6	Bonnet	1	ASTM A351 CF8M
7	Stem	1	ASTM A276 316
8	Stem Washer	1	RPTFE
9	Packing	-	RPTFE
10	Gland	1	ASTM A351 CF8
11	Bolt	2	ASTM A193 B8
12	Handle	1	STAINLESS STEEL
13	RING	1	PVC
14	Stopper	1	SS 304
15	Washer	4	SS 304
16	Spring Washer	4	SS 304
17	Hexagon Head Bolt	4	ASTM A193 B8
18	Coupler	1	ASTM A29 1025
19	Yoke	1	ASTM A351 CF8
20			
21			
22			
23			
24			
25			

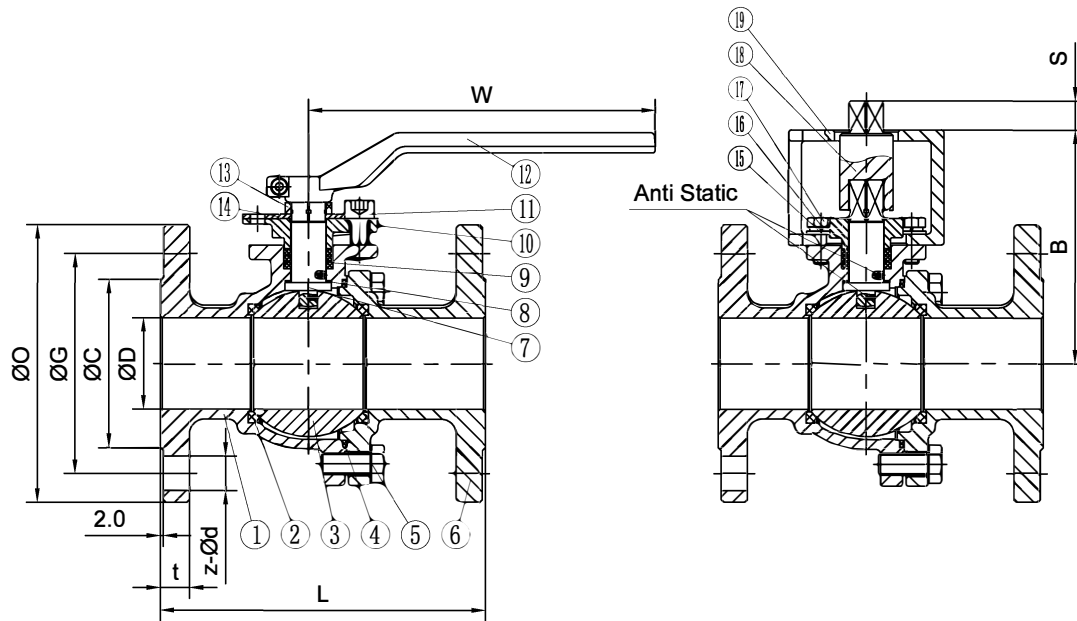
Test Pressure	Shell Test	3.0 MPa
	Seal Test	2.2 MPa
	Air Test	0.6 MPa
	Suitable Temp.	-29 ~ 180 °C
Standard	Face to Face	ASME B16.10
	End Connection	ASME B16.5
	Valve Design	ASME B16.34
	Valve Test	API 598

Dimensions (mm)

NPS	DN	L	D	C	G	O	t	Z-Ød	W	B	S	K	E	F	n-ØG	n-ØP
1/2"	15	108	15	35	60.3	90	10.0	4-Ø16	130	82	10	11	36	50	4-Ø6	4-Ø7
3/4"	20	117	20	43	69.9	100	10.9	4-Ø16	130	89	10	11	36	50	4-Ø6	4-Ø7
1"	25	127	25	51	79.4	110	11.6	4-Ø16	150	92	13	14	36	50	4-Ø6	4-Ø7
1 1/4"	32	140	32	63.5	88.9	115	13.2	4-Ø16	150	97	13	14	36	50	4-Ø6	4-Ø7

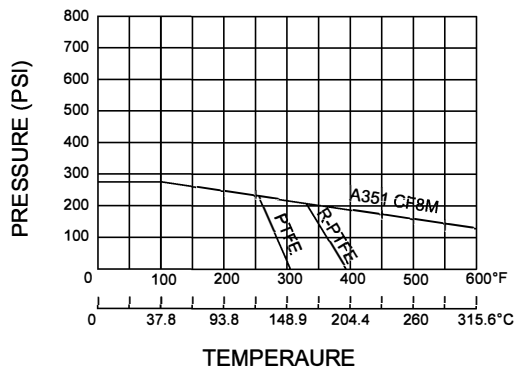
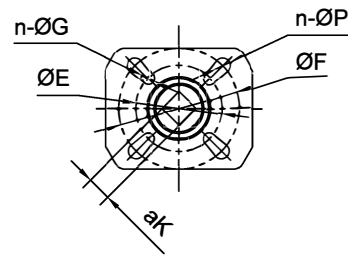
Drawing No.	Date	Figure No.	Rev No.
AN	Feb 1, 2018	ARTTBV-FS	002
Ball Valve, Class 150, API607 Fire-Safe			
FLOCONTROL			





Anti Static

Mounting PAD
ISO 5211




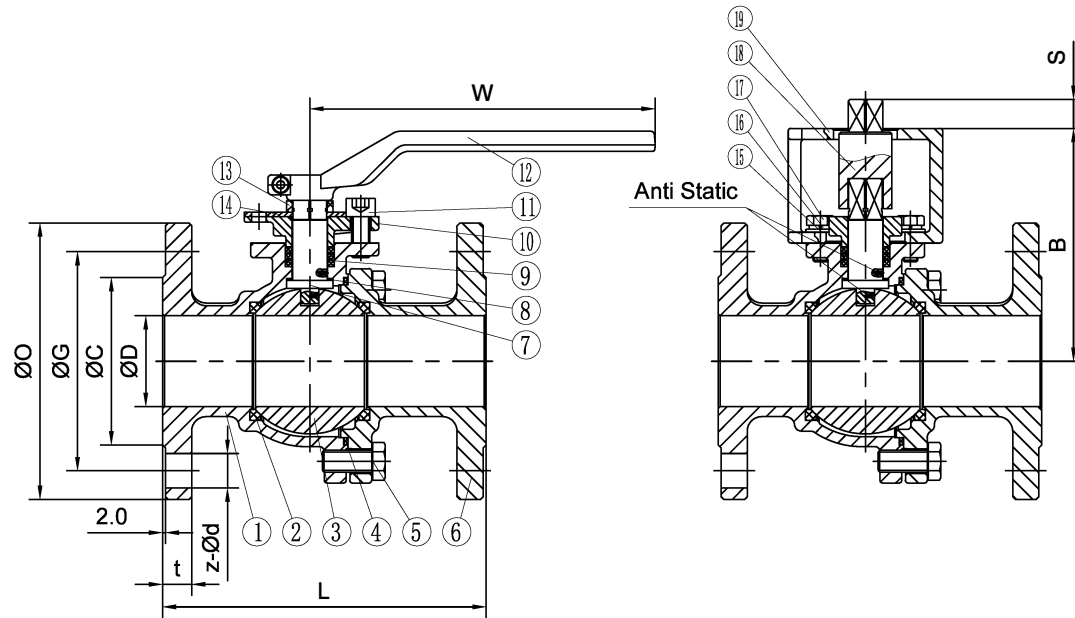
Dimensions (mm)

NPS	DN	L	D	C	G	O	t	Z-Ød	W	B	S	K	E	F	n-ØG	n-ØP
1 1/2"	40	165	38	73	98.4	125	14.7	4-Ø16	200	119	14	14	50	70	4-Ø7	4-Ø9
2"	50	178	50	92	120.7	150	16.3	4-Ø19	200	128	17	17	50	70	4-Ø7	4-Ø9
2 1/2"	65	190	63	105	139.7	180	17.9	4-Ø19	240	139	17	17	50	70	4-Ø7	4-Ø9

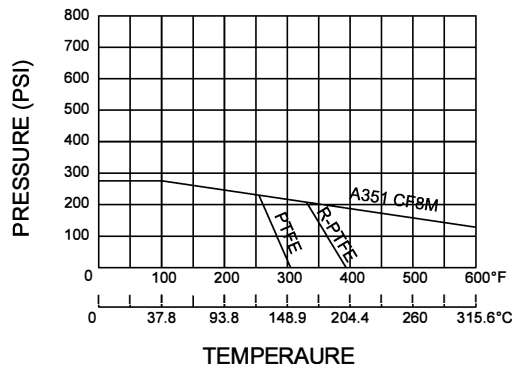
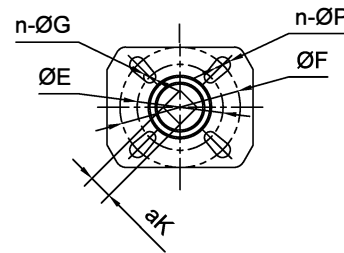
No.	PART	Qty	MATERIAL
1	Body	1	ASTM A351 CF8M
2	Seat	2	RPTFE
3	Ball	1	SS 316
4	Gasket	1	RPTFE
5	Bolt	4	ASTM A193 B8
6	Bonnet	1	ASTM A351 CF8M
7	Stem	1	ASTM A276 316
8	Stem Washer	1	RPTFE
9	Packing	-	RPTFE
10	Gland	1	ASTM A351 CF8
11	Bolt	2	ASTM A193 B8
12	Handle	1	STAINLESS STEEL
13	RING	1	PVC
14	Stopper	1	SS 304
15	Washer	4	SS 304
16	Spring Washer	4	SS 304
17	Hexagon Head Bolt	4	ASTM A193 B8
18	Coupler	1	ASTM A29 1025
19	Yoke	1	ASTM A351 CF8
20			
21			
22			
23			
24			
25			

Test Pressure	Shell Test	3.0 MPa
	Seal Test	2.2 MPa
	Air Test	0.6 MPa
	Suitable Temp.	-29 ~ 180 °C
Standard	Face to Face	ASME B16.10
	End Connection	ASME B16.5
	Valve Design	ASME B16.34
	Valve Test	API 598

Drawing No.	Date	Figure No.	Rev No.	
AN	Feb 3, 2018	ARTTBV-FS	002	
Ball Valve, Class 150, API607 Fire-Safe				
FLOCONTROL				



Mounting PAD
ISO 5211



Dimensions (mm)

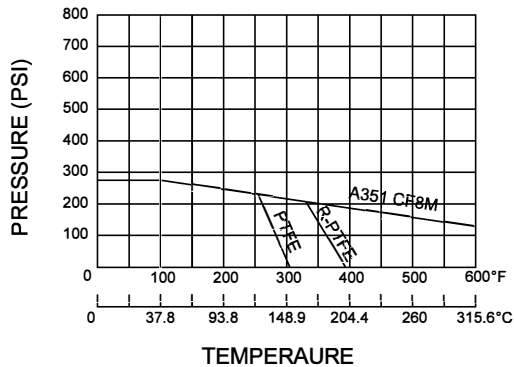
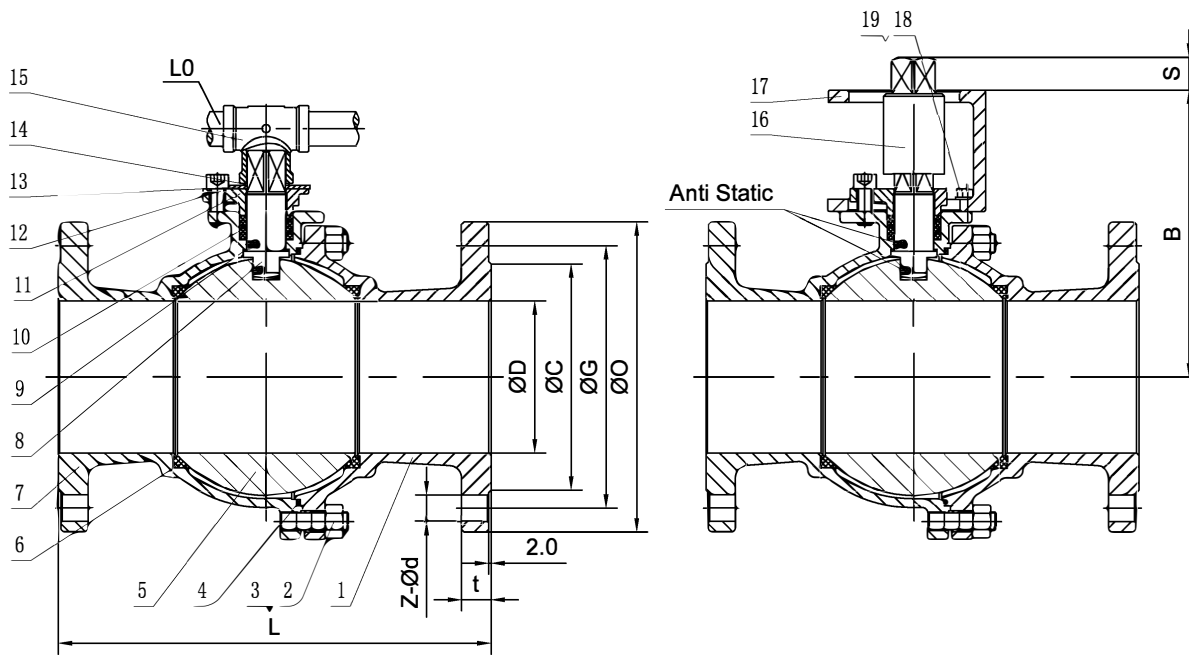
NPS	DN	L	D	C	G	O	t	Z-Ød	W	B	S	K	E	F	n-ØG	n-ØP
3"	80	203	76	127	152.4	190	19.5	4-Ø19	270	169	22	22	70	102	4-Ø10	4-Ø11
4"	100	229	100	157	190.5	230	24.3	8-Ø19	320	192	22	22	70	102	4-Ø10	4-Ø11

No.	PART	Qty	MATERIAL
1	Body	1	ASTM A351 CF8M
2	Seat	2	RPTFE
3	Ball	1	SS 316
4	Gasket	1	RPTFE
5	Bolt	4	ASTM A193 B8
6	Bonnet	1	ASTM A351 CF8M
7	Stem	1	ASTM A276 316
8	Stem Washer	1	RPTFE
9	Packing	-	RPTFE
10	Gland	1	ASTM A351 CF8
11	Bolt	2	ASTM A193 B8
12	Handle	1	STAINLESS STEEL
13	RING	1	PVC
14	Stopper	1	SS 304
15	Washer	4	SS 304
16	Spring Washer	4	SS 304
17	Hexagon Head Bolt	4	ASTM A193 B8
18	Coupler	1	ASTM A29 1025
19	Yoke	1	ASTM A351 CF8
20			
21			
22			
23			
24			
25			

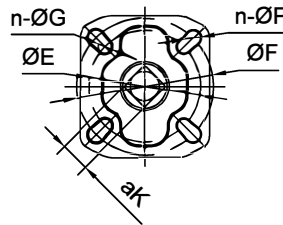
Test Pressure	Shell Test	3.0 MPa
	Seal Test	2.2 MPa
	Air Test	0.6 MPa
	Suitable Temp.	-29 ~ 180 °C
Standard	Face to Face	ASME B16.10
	End Connection	ASME B16.5
	Valve Design	ASME B16.34
	Valve Test	API 598

Drawing No.	Date	Figure No.	Rev No.
AN	Feb 3, 2018	ARTTBV-FS	002

Ball Valve, Class 150, API607 Fire-Safe			
FLDCDNTRDL			



Mounting PAD
ISO 5211



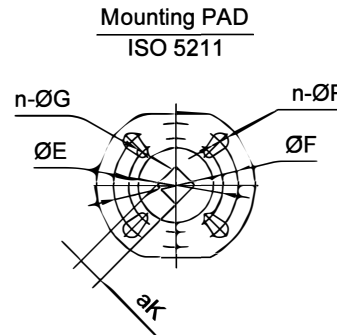
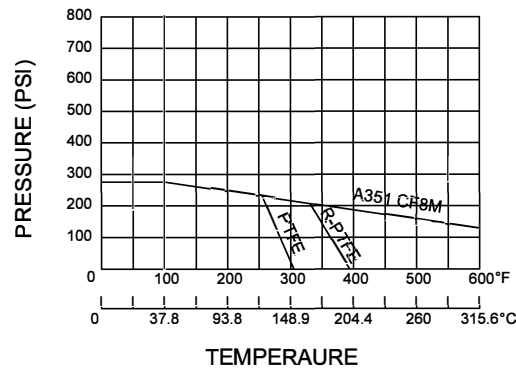
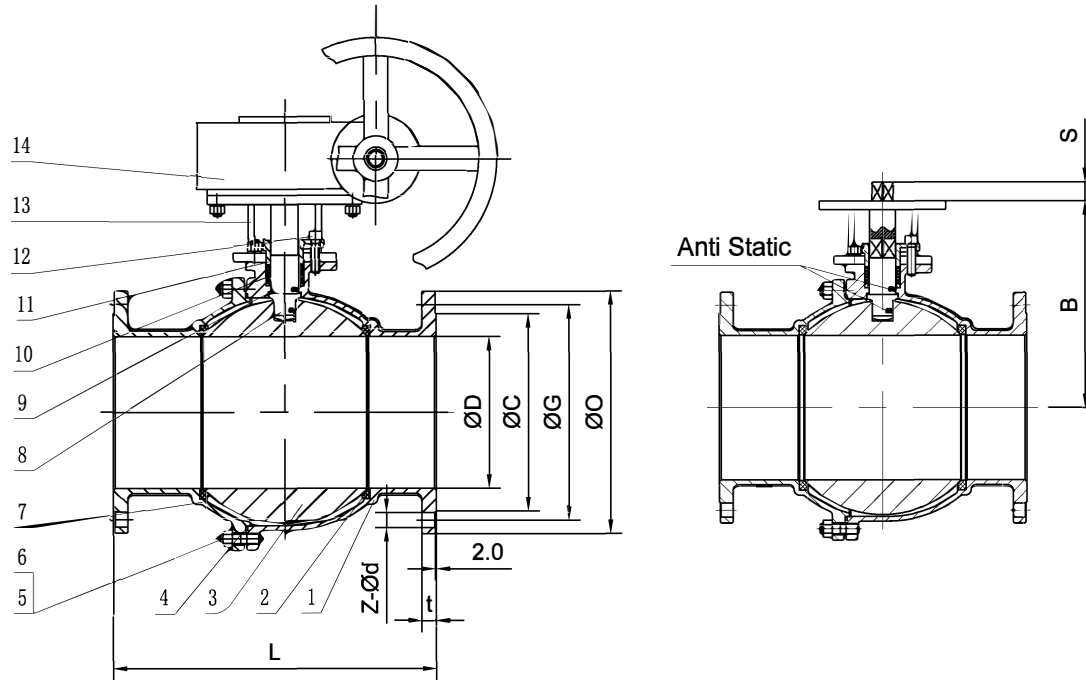
Dimensions (mm)

NPS	DN	L	D	C	G	O	t	Z-Ød	L ₀	B	S	K	E	F	n-ØG	n-ØP
5"	125	356	125	186	215.9	255	24.3	8-Ø22	550	236	27	27	-	125	-	4-Ø14
6"	150	394	150	216	241.3	280	25.9	8-Ø22	650	256	27	27	102	125	4-Ø12	4-Ø14
8"	200	457	200	270	298.5	345	29.0	8-Ø22	800	305	27	27	140	165	4-Ø18	4-Ø22

No.	PART	Qty	MATERIAL
1	Bonnet	1	ASTM A351 CF8M
2	Stud	-	ASTM A193 B8
3	Nut	-	ASTM A194 8
4	Gasket	1	RPTFE
5	Ball	1	SS 316
6	Seat	2	RPTFE
7	Body	1	ASTM A351 CF8M
8	Stem	1	ASTM A276 316
9	Stem Washer	1	RPTFE
10	Packing	-	RPTFE
11	Gland	1	ASTM A351 CF8
12	Bolt	2	ASTM A193 B8
13	Stopper	1	ASTM A240 304
14	Snap Ring	1	SS 304
15	Handle	1	STAINLESS STEEL
16	Coupler	1	ASTM A29 1025
17	Yoke	1	ASTM A351 CF8
18	Bolt	4	ASTM A193 B8
19	WASHER	4	SS304
20			
21			
22			
23			
24			
25			


Test Pressure	Shell Test	3.0 MPa
	Seal Test	2.2 MPa
	Air Test	0.6 MPa
	Suitable Temp.	-29 ~ 180 °C
Standard	Face to Face	ASME B16.10
	End Connection	ASME B16.5
	Valve Design	ASME B16.34
	Valve Test	API 598

Drawing No.	Date	Figure No.	Rev No.	
AN	Feb 3, 2018	ARTTBV-FS	002	
Ball Valve, Class 150, API607 Fire-Safe				
FLOCONTROL				



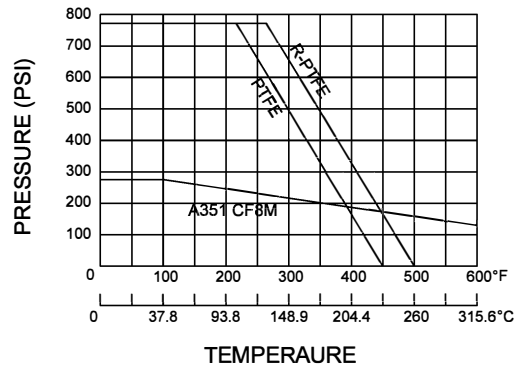
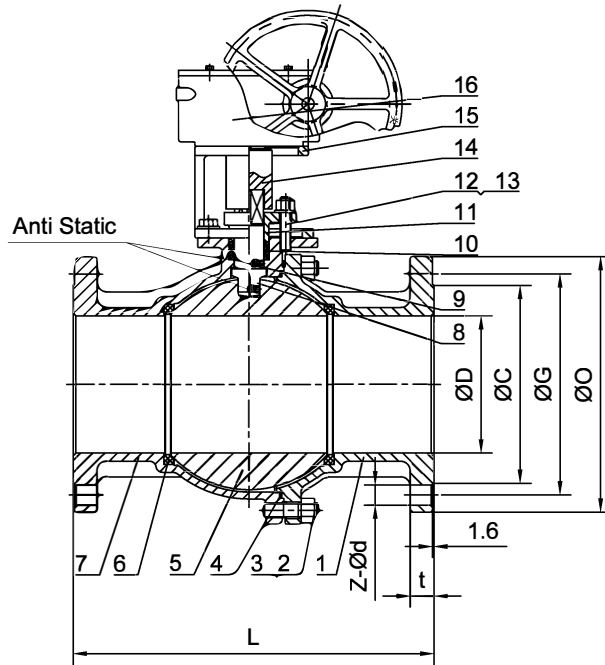
No.	PART	Qty	MATERIAL
1	Body	1	ASTM A351 CF8M
2	Seat Ring	2	RPTFE
3	Ball	1	ASTM A351 CF8M
4	Gasket	1	RPTFE
5	Stud	-	ASTM A193 B8
6	Nut	-	ASTM A194 8
7	Bonnet	1	ASTM A351 CF8M
8	Stem	1	ASTM A276 316
9	Stem Washer	1	RPTFE
10	Packing	-	RPTFE
11	Gland	1	ASTM A351 CF8
12	Hex Socket Bolt	2	ASTM A193 B8
13	Bracket	1	ASTM A216 WCB
14	Worm Gear	1	ASSEMBLY
15			
16			
17			
18			
19			
20			
21			
22			
23			
24			
25			

Test Pressure	Shell Test	3.0 MPa
	Seal Test	2.2 MPa
	Air Test	0.6 MPa
	Suitable Temp.	-29 ~ 180 °C
Standard	Face to Face	ASME B16.10
	End Connection	ASME B16.5
	Valve Design	ASME B16.34
	Valve Test	API 598

Drawing No.	Date	Figure No.	Rev No.	
AN	Sep 30, 2017	ARTTBV-FS	002	
Ball Valve, Class 150, API607 Fire-Safe				
FLOCONTROL				

Dimensions (mm)

NPS	DN	L	D	C	G	O	t	Z-Ød	B	S	K	E	F	n-ØG	n-ØP
10"	250	533	250	324	362	405	30.6	12-Ø25	360	38	36	140	165	4-Ø18	4-Ø22
12	300	610	300	381	431.8	485	32.2	12-Ø25	400	38	36	140	165	4-Ø14	4-Ø22




Dimensions (mm)

NPS	DN	L	D	C	G	O	t	Z-Ød								
8"	200	457	200	270	298.5	345	29.0	8-Ø22								

No.	PART	Qty	MATERIAL
1	Bonnet	1	ASTM A351 CF8M
2	Stud	-	ASTM A193 B8
3	Nut	-	ASTM A194 8
4	Gasket	1	RPTFE
5	Ball	1	ASTM A351 CF8M
6	Seat	2	RPTFE
7	Body	1	ASTM A351 CF8M
8	Stem	1	ASTM A276 316
9	Stem Washer	1	RPTFE
10	Packing	-	RPTFE
11	Gland	1	ASTM A351 CF8
12	Hex Socket Bolt	2	ASTM A193 B8
13	Nut	2	ASTM A194 8
14	Coupler	1	ASTM A29 1025
15	Yoke	1	ASTM A351 CF8
16	Worm gear	1	
17			
18			
19			
20			
21			
22			
23			
24			
25			

Test Pressure	Shell Test	3.0 MPa
	Seal Test	2.2 MPa
	Air Test	0.6 MPa
	Suitable Temp.	-29 ~ 180 °C
Standard	Face to Face	ASME B16.10
	End Connection	ASME B16.5
	Valve Design	ASME B16.34
	Valve Test	API 598

Drawing No.	Date	Figure No.	Rev No.	
AN	Sep 27, 2019	ARTTBV-FS	002	
Ball Valve, Class 150, API607 Fire-Safe				
FLOCONTROL				