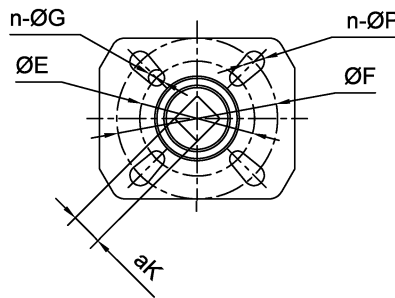


Mounting PAD  
ISO 5211




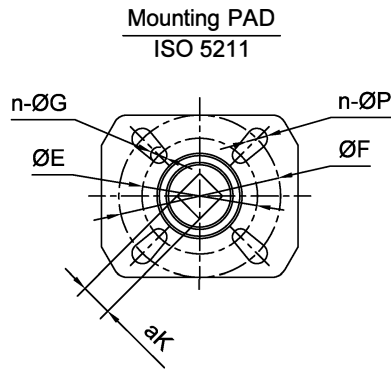
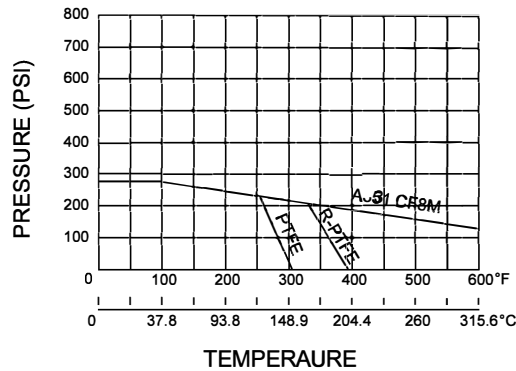
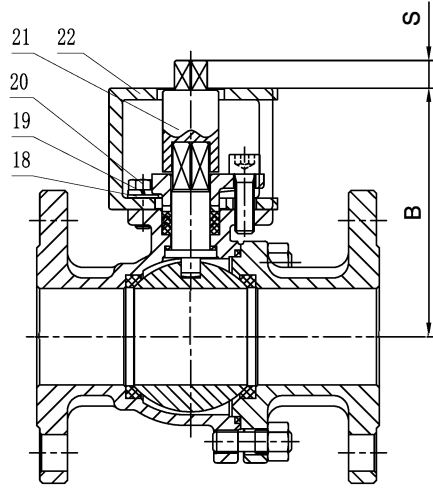
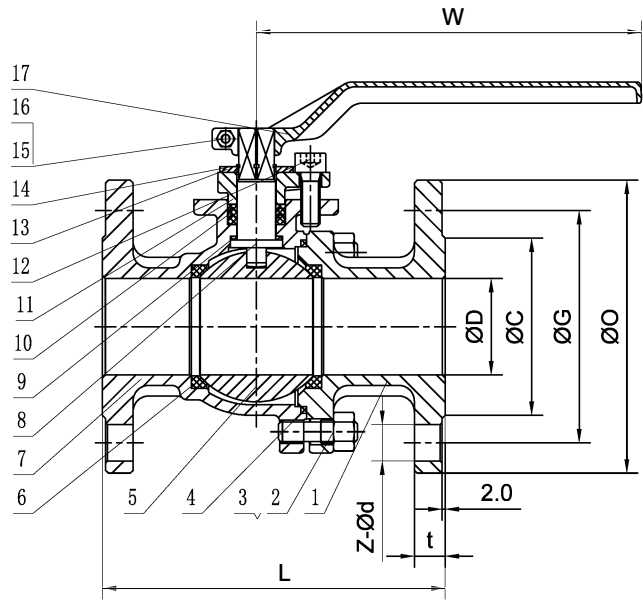
Dimensions (mm)

NPS	DN	L	D	C	G	O	t	Z-Ød	W	B	S	K	E	F	n-ØG	n-ØP
1/2"	15	108	15	35	60.3	90	10.0	4-Ø16	130	81	11	11	36	50	4-Ø6	4-Ø7
3/4"	20	117	20	43	69.9	100	10.9	4-Ø16	130	84	11	11	36	50	4-Ø6	4-Ø7
1"	25	127	25	51	79.4	110	11.6	4-Ø16	150	90	11	11	36	50	4-Ø6	4-Ø7
1 1/4"	32	140	32	64	88.9	115	13.2	4-Ø16	150	94	11	11	36	50	4-Ø6	4-Ø7

No.	PART	Qty	MATERIAL
1	Bonnet	1	ASTM A351 CF8M
2	Nut	-	ASTM A194 8
3	Stud	-	ASTM A193 B8
4	Gasket	1	RPTFE (15% Glass Fiber)
5	Ball	1	SS 316
6	Seat Ring	2	RPTFE (15% Glass Fiber)
7	Body	1	ASTM A351 CF8M
8	Stem	1	ASTM A276 316
9	Stem Washer	1	RPTFE (15% Glass Fiber)
10	Packing	-	RPTFE (15% Glass Fiber)
11	Gland	1	ASTM A351 CF8
12	Hexagon Head Bolt	2	ASTM A193 B8
13	Stopper	1	SS 304
14	Snap Ring	1	SS 304
15	Hex Socket Bolt	1	ASTM A193 B8
16	Nut	1	ASTM A194 8
17	Handle	1	SS 201
18	Washer	1	SS 304
19	Spring Washer	4	SS 304
20	Hexagon Head Bolt	4	ASTM A193 B8
21	Coupler	1	ASTM A216 WCB + Ni
22	Yoke	1	ASTM A351 CF8
23			
24			
25			

Test Pressure	Shell Test	3.0 MPa
	Seal Test	2.2 MPa
	Air Test	0.6 MPa
	Suitable Temp.	-29 ~ 180 °C
Standard	Face to Face	ASME B16.10
	End Connection	ASME B16.5
	Valve Design	ANSI B16.34
	Valve Test	API 598

Drawing No.	Date	Figure No.	Rev No.	
AN	Jan.10, 2019	ARTTBV	002	
Ball Valve, Class 150				
FLOCONTROL				



No.	PART	Qty	MATERIAL
1	Bonnet	1	ASTM A351 CF8M
2	Nut	-	ASTM A194 8
3	Stud	-	ASTM A193 B8
4	Gasket	1	RPTFE (15% Glass Fiber)
5	Ball	1	SS 316
6	Seat Ring	2	RPTFE (15% Glass Fiber)
7	Body	1	ASTM A351 CF8M
8	Stem	1	ASTM A276 316
9	Stem Washer	1	RPTFE (15% Glass Fiber)
10	Packing	-	RPTFE (15% Glass Fiber)
11	Gland	1	ASTM A351 CF8
12	Hexagon Head Bolt	2	ASTM A193 B8
13	Stopper	1	SS 304
14	Snap Ring	1	SS 304
15	Hex Socket Bolt	1	ASTM A193 B8
16	Nut	1	ASTM A194 8
17	Handle	1	SS 201
18	Washer	1	SS 304
19	Spring Washer	4	SS 304
20	Hexagon Head Bolt	4	ASTM A193 B8
21	Coupler	1	ASTM A216 WCB + Ni
22	Yoke	1	ASTM A351 CF8
23			
24			
25			

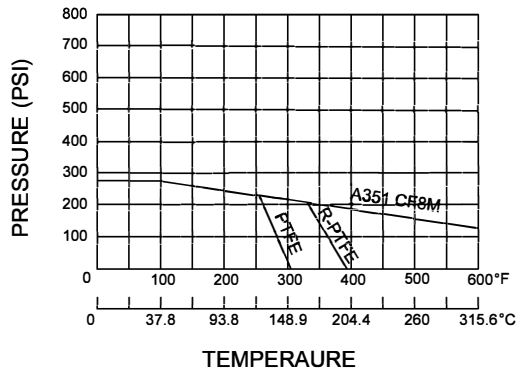
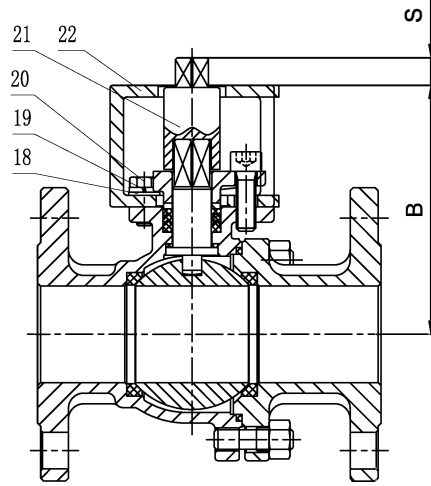
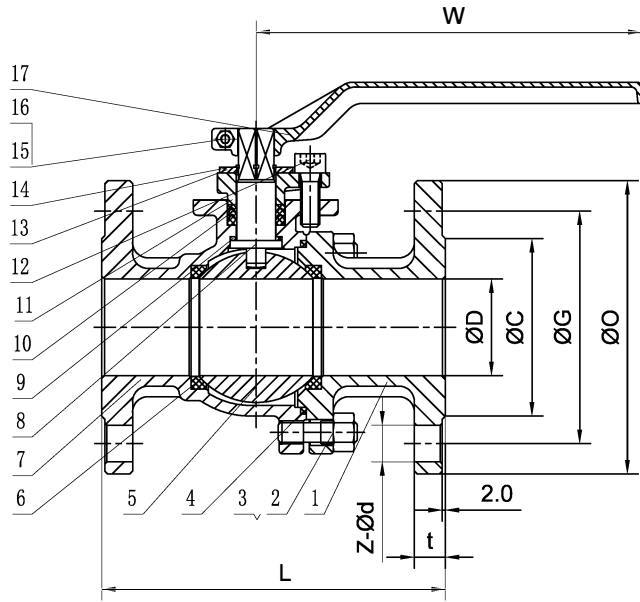
Test Pressure	Shell Test	3.0 MPa
	Seal Test	2.2 MPa
	Air Test	0.6 MPa
	Suitable Temp.	-29 ~ 180 °C
Standard	Face to Face	ASME B16.10
	End Connection	ASME B16.5
	Valve Design	ANSI B16.34
	Valve Test	API 598

Dimensions (mm)

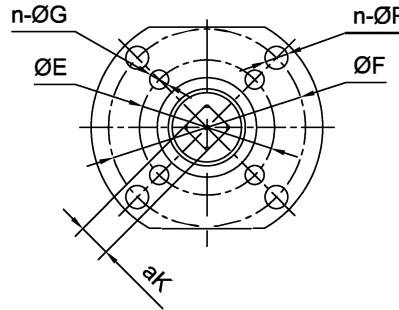
NPS	DN	L	D	C	G	O	t	Z-Ød	W	B	S	K	E	F	n-ØG	n-ØP
11/2"	40	165	38	73	98.4	125	14.7	4-Ø16	200	119	14	14	50	70	4-Ø7	4-Ø9
2"	50	178	50	92	120.7	150	16.3	4-Ø19	200	128	14	14	50	70	4-Ø7	4-Ø9
21/2"	65	190	63	105	139.7	180	17.9	4-Ø19	200	139	14	14	50	70	4-Ø7	4-Ø9

Drawing No.	Date	Figure No.	Rev No.
AN	Jan.10, 2019	ARTTBV	002
Ball Valve, Class 150			
FLOCONTROL			





Mounting PAD  
ISO 5211



No.	PART	Qty	MATERIAL
1	Bonnet	1	ASTM A351 CF8M
2	Nut	-	ASTM A194 8
3	Stud	-	ASTM A193 B8
4	Gasket	1	RPTFE
5	Ball	1	SS 316
6	Seat Ring	2	RPTFE
7	Body	1	ASTM A351 CF8M
8	Stem	1	ASTM A276 316
9	Stem Washer	1	RPTFE
10	Packing	-	RPTFE
11	Gland	1	ASTM A351 CF8
12	Hexagon Head Bolt	2	ASTM A193 B8
13	Stopper	1	SS 304
14	Snap Ring	1	SS 304
15	Hex Socket Bolt	1	ASTM A193 B8
16	Nut	1	ASTM A194 8
17	Handle	1	SS 201
18	Washer	1	SS 304
19	Spring Washer	4	SS 304
20	Hexagon Head Bolt	4	ASTM A193 B8
21	Coupler	1	ASTM A216 WCB + Ni
22	Yoke	1	ASTM A351 CF8
23			
24			
25			

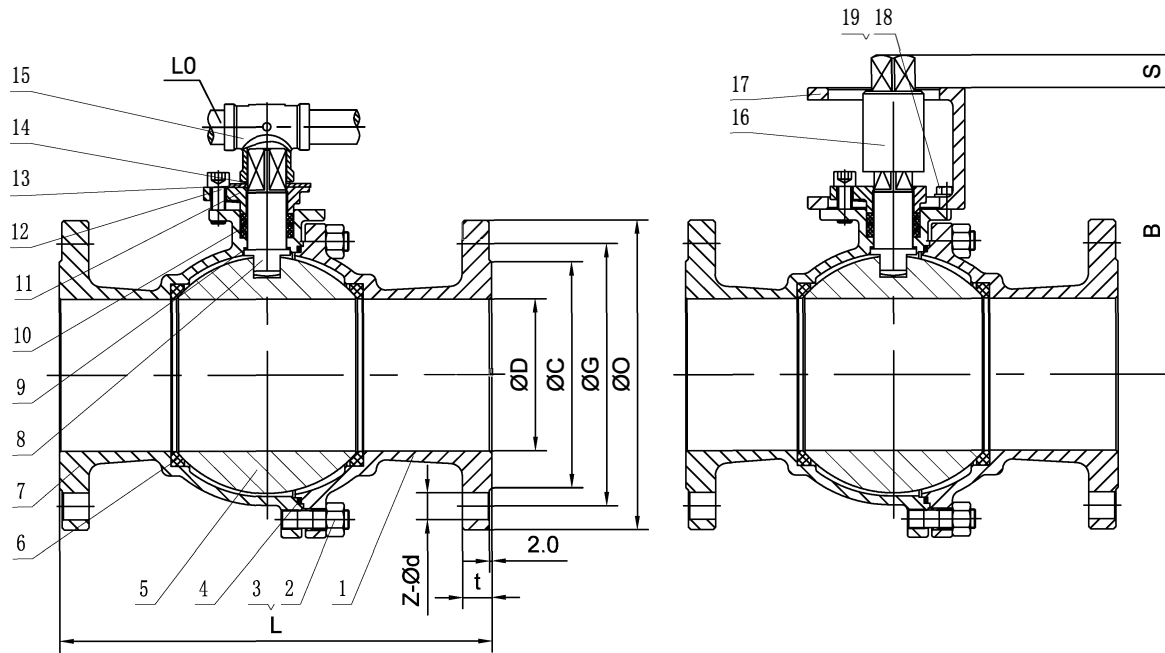
Test Pressure	Shell Test	3.0 MPa
	Seal Test	2.2 MPa
	Air Test	0.6 MPa
	Suitable Temp.	-29 ~ 180 °C
Standard	Face to Face	ASME B16.10
	End Connection	ASME B16.5
	Valve Design	ANSI B16.34
	Valve Test	API 598

Drawing No.	Date	Figure No.	Rev No.
AN	Jan.10, 2019	ARTTBV	002
Ball Valve, Class 150			
FLOCONTROL			

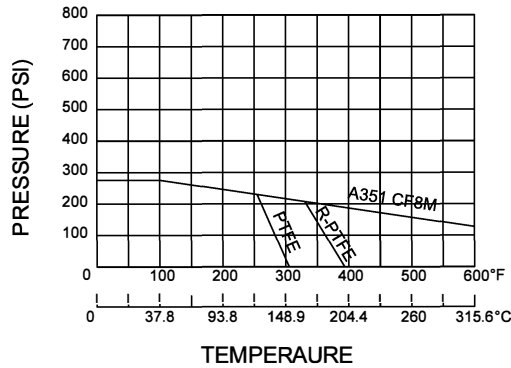
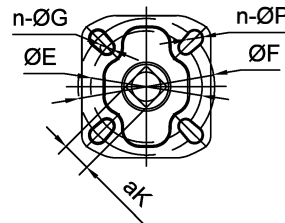


Dimensions (mm)

NPS	DN	L	D	C	G	O	t	Z-Ød	W	B	S	K	E	F	n-ØG	n-ØP
3"	80	203	76	127	152.4	190	19.5	4-Ø19	270	169	17	22	70	102	4-Ø10	4-Ø11
4"	100	229	100	157	190.5	230	24.3	8-Ø19	320	192	17	22	70	102	4-Ø10	4-Ø11



Mounting PAD  
ISO 5211



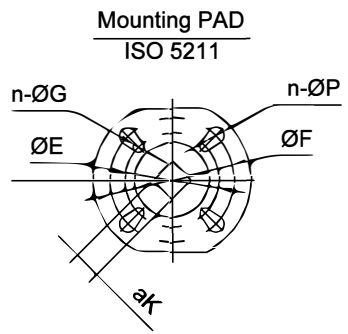
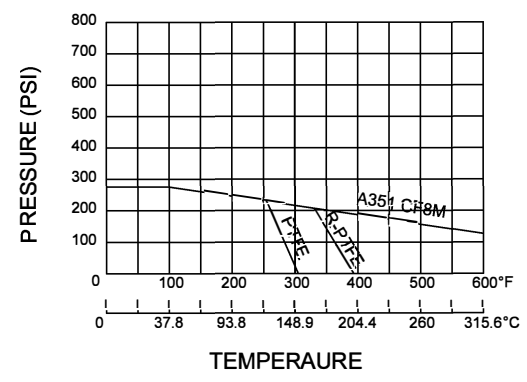
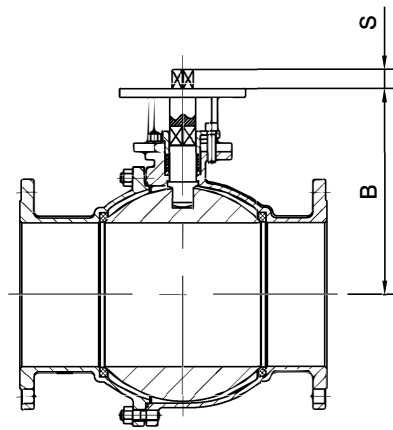
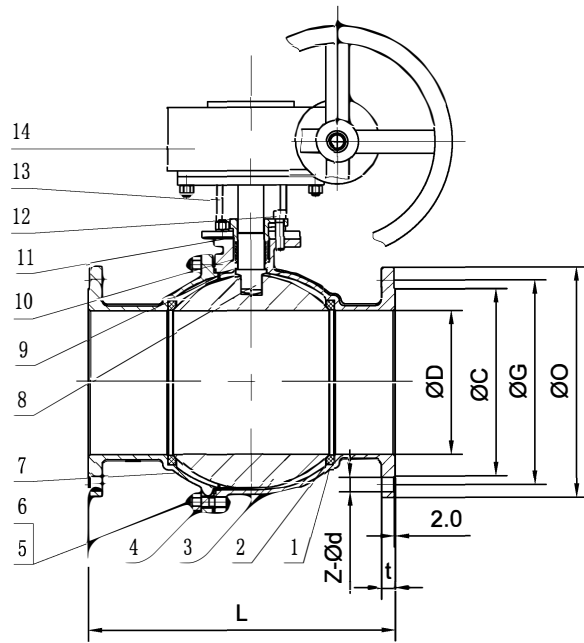
Dimensions (mm)

NPS	DN	L	D	C	G	O	t	Z-Ød	LO	B	S	K	E	F	n-ØG	n-ØP
5"	125	356	125	186	215.9	255	24.3	8-Ø22	550	236	27	27	-	125	-	4-Ø14
6"	150	394	150	216	241.3	280	25.9	8-Ø22	650	256	27	27	102	125	4-Ø12	4-Ø14
8"	200	457	200	270	298.5	345	29.0	8-Ø22	800	305	27	27	140	165	4-Ø18	4-Ø22

No.	PART	Qty	MATERIAL
1	Bonnet	1	ASTM A351 CF8M
2	Nut	-	ASTM A194 8
3	Stud	-	ASTM A193 B8
4	Gasket	1	RPTFE (15% Glass Fiber)
5	Ball	1	SS 316
6	Seat Ring	2	RPTFE (15% Glass Fiber)
7	Body	1	ASTM A351 CF8M
8	Stem	1	ASTM A276 316
9	Stem Washer	1	RPTFE (15% Glass Fiber)
10	Packing	-	RPTFE (15% Glass Fiber)
11	Gland	1	ASTM A351 CF8
12	Hexagon Head Bolt	2	ASTM A193 B8
13	Stopper	1	SS 304
14	Snap Ring	1	SS 304
15	Handle	1	KTH330 - 08
16	Packing Gland Ring	1	SS 304
17	Bolt	2	ASTM A193 B8
18	Washer	4	SS 304
19	Bolt	4	ASTM A194 8
20	Yoke	1	Q235A + ENP
21	Coupler	1	ASTM A216 WCB + Ni
22			
23			
24			
25			

Test Pressure	Shell Test	3.0 MPa
	Seal Test	2.2 MPa
	Air Test	0.6 MPa
	Suitable Temp.	-29 ~ 180 °C
Standard	Face to Face	ASME B16.10
	End Connection	ASME B16.5
	Valve Design	ANSI B16.34
	Valve Test	API 598

Drawing No.	Date	Figure No.	Rev No.	
AN	Jan.10, 2019	ARTTBV	002	
Ball Valve, Class 150				
FLOCONTROL				



Dimensions (mm)

NPS	DN	L	D	C	G	O	t	Z-Ød	B	S	K	E	F	n-ØG	n-ØP
10"	250	533	250	324	362	405	30.6	12-Ø25	360	38	36	140	165	4-Ø18	4-Ø22
12	300	610	300	381	431.8	485	32.2	12-Ø25	400	38	36	140	165	4-Ø14	4-Ø22

No.	PART	Qty	MATERIAL
1	Body	1	ASTM A351 CF8M
2	Seat Ring	2	RPTFE
3	Ball	1	SS 316
4	Gasket	1	RPTFE
5	Nut	-	ASTM A194 8
6	Stud	-	ASTM A193 B8
7	Bonnet	1	ASTM A351 CF8M
8	Stem	1	ASTM A276 316
9	Stem Washer	1	RPTFE
10	Packing	-	RPTFE
11	Gland	1	ASTM A351 CF8
12	Hexagon Head Bolt	2	ASTM A193 B8
13	Bracket	1	ASTM A216 WCB + ENP
14	Worm Gear	1	Assem Bly
15			
16			
17			
18			
19			
20			
21			
22			
23			
24			
25			

Test Pressure	Shell Test	3.0 MPa
	Seal Test	2.2 MPa
	Air Test	0.6 MPa
	Suitable Temp.	-29 ~ 180 °C
Standard	Face to Face	ASME B16.10
	End Connection	ASME B16.5
	Valve Design	ANSI B16.34
	Valve Test	API 598

Drawing No.	Date	Figure No.	Rev No.
AN	Jan.10, 2019	ARTTBV	002

Ball Valve, Class 150

FLOCONTROL

