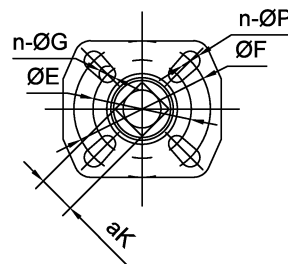


Mounting PAD  
ISO 5211



Dimensions (mm)

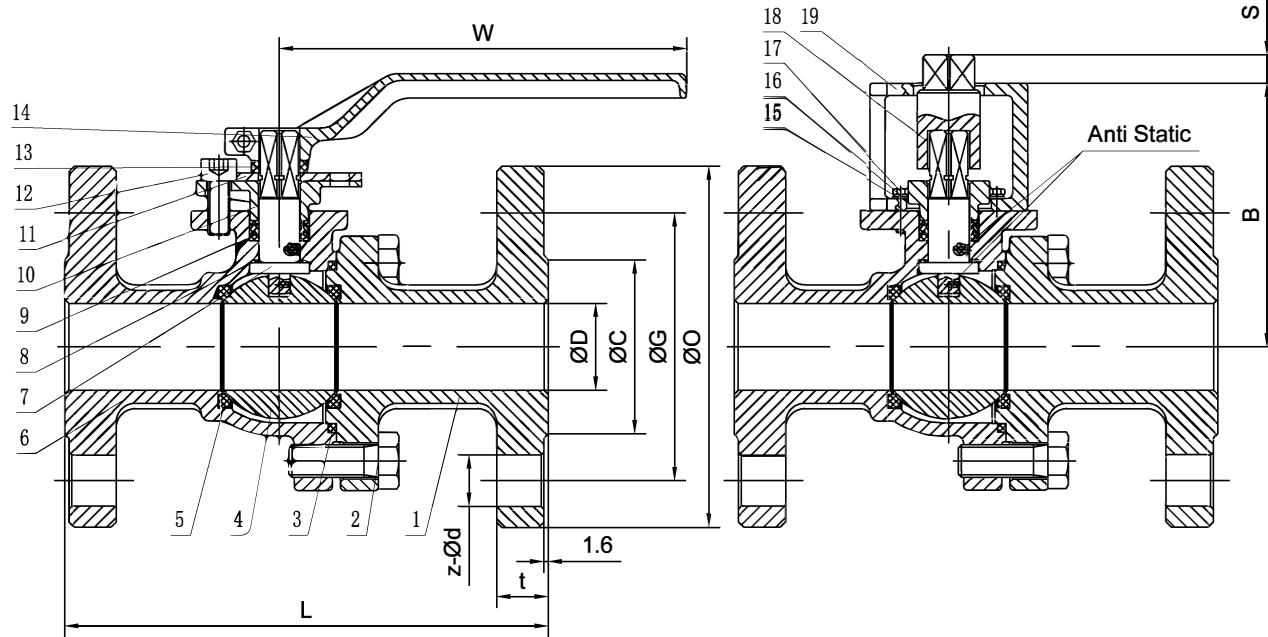
NPS	DN	L	D	C	G	O	t	Z-Ød	W	B	S	K	E	F	n-ØG	n-ØP
1/2"	15	140	15	35	66.7	95	14.7	4-Ø16	130	82	10	11	36	50	4-Ø6	4-Ø7
3/4"	20	152	20	43	82.6	117	16.3	4-Ø19	130	89	10	11	36	50	4-Ø6	4-Ø7
1"	25	165	25	51	88.9	124	17.9	4-Ø19	150	92	13	14	36	50	4-Ø6	4-Ø7
1 1/4"	32	178	32	64	98.4	133	19.5	4-Ø19	150	97	13	14	36	50	4-Ø6	4-Ø7

No.	PART	Qty	MATERIAL
1	Bonnet	1	ASTM A351 CF8M
2	Bolt	4	ASTM A193 B8
3	Gasket	1	RPTFE
4	Ball	1	SS 316
5	Seat	2	RPTFE
6	Body	1	ASTM A351 CF8M
7	Stem	1	ASTM A276 316
8	Stem Washer	1	RPTFE
9	Packing	-	RPTFE
10	Gland	1	TP304
11	Stopper	1	SS 304
12	Bolt	2	ASTM A193 B8
13	Handle washer	1	PVC
14	Handle	1	SS 201
15	Washer	4	SS 304
16	Spring Washer	4	SS 304
17	Hexagon Head Bolt	4	ASTM A193 B8
18	Coupler	1	ASTM A29 1025
19	Yoke	1	ASTM A351 CF8
20			
21			
22			
23			
24			
25			

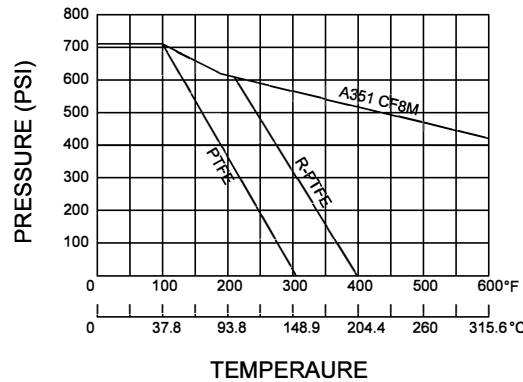
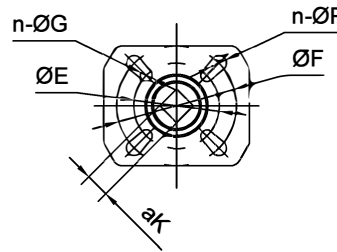
Test Pressure	Shell Test	7.5 MPa
	Seal Test	5.5 MPa
	Air Test	0.6 MPa
	Suitable Temp.	-29 ~ 180 °C
Standard	Face to Face	ASME B16.10
	End Connection	ASME B16.5
	Valve Design	ASME B16.34
	Valve Test	API 598

Drawing No.	Date	Figure No.	Rev No.
AN	Jan 10, 2018	ARTSBH-FS	002
Ball Valve, Class 300, API607 Fire-Safe			
FLOCONTROL			





Mounting PAD  
ISO 5211




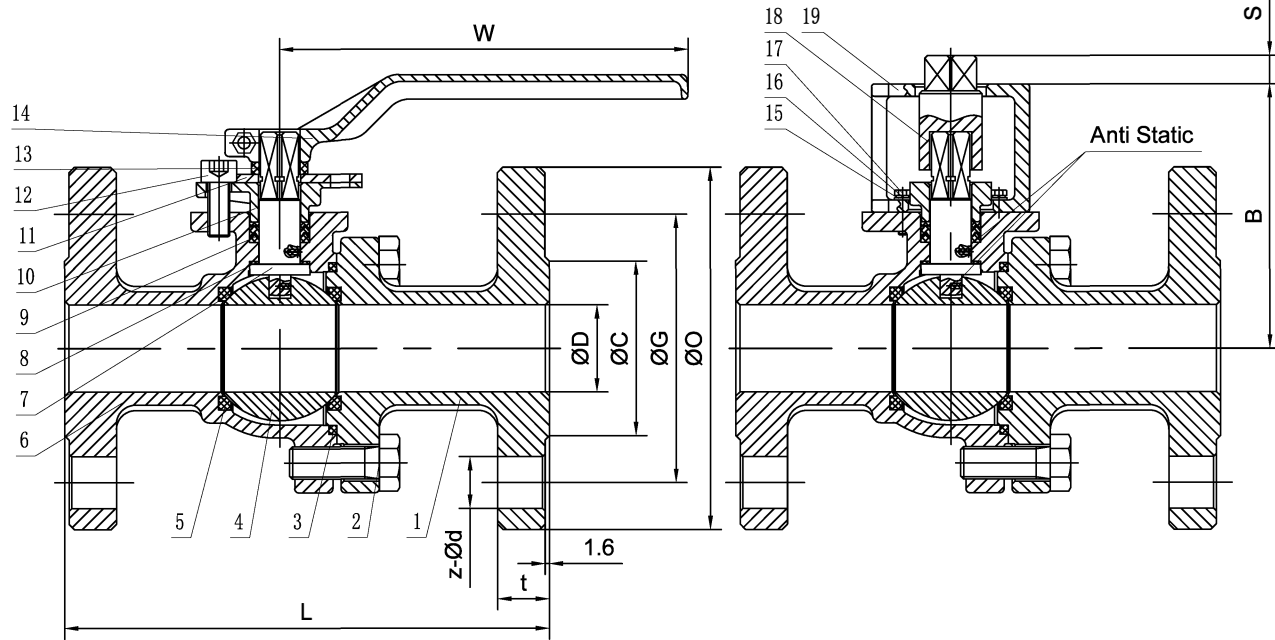
Dimensions (mm)

NPS	DN	L	D	C	G	O	t	Z-Ød	W	B	S	K	E	F	n-ØG	n-ØP
1 1/2"	40	190	38	73	114.3	156	21.1	4-Ø22	200	123	13	14	50	70	4-Ø7	4-Ø9
2"	50	216	50	92	127.0	165	22.7	8-Ø19	200	129	16	17	50	70	4-Ø7	4-Ø9
2 1/2"	65	241	63	105	149.2	190	25.9	8-Ø22	240	143	16	17	50	70	4-Ø7	4-Ø9

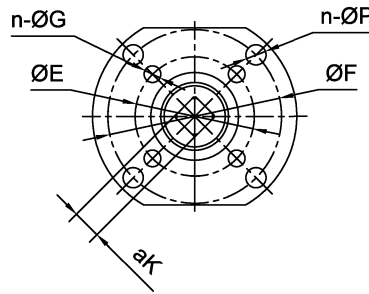
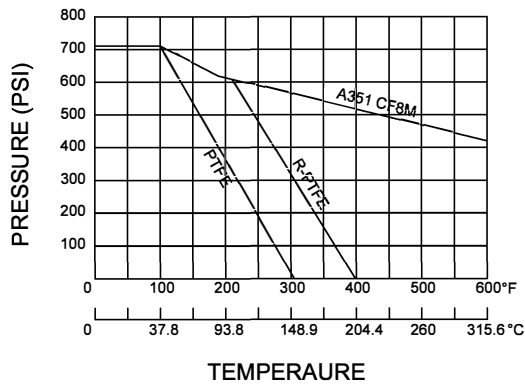
No.	PART	Qty	MATERIAL
1	Bonnet	1	ASTM A351 CF8M
2	Bolt	4	ASTM A193 B8
3	Gasket	1	RPTFE
4	Ball	1	SS 316
5	Seat	2	RPTFE
6	Body	1	ASTM A351 CF8M
7	Stem	1	ASTM A276 316
8	Stem Washer	1	RPTFE
9	Packing	-	RPTFE
10	Gland	1	ASTM A351 CF8
11	Stopper	1	SS 304
12	Bolt	2	ASTM A193 B8
13	Handle washer	1	PVC
14	Handle	1	SS 201
15	Washer	4	SS 304
16	Spring Washer	4	SS 304
17	Hexagon Head Bolt	4	ASTM A193 B8
18	Coupler	1	ASTM A29 1025
19	Yoke	1	ASTM A351 CF8
20			
21			
22			
23			
24			
25			

Test Pressure	Shell Test	7.5 MPa
	Seal Test	5.5 MPa
	Air Test	0.6 MPa
	Suitable Temp.	-29 ~ 180 °C
Standard	Face to Face	ASME B16.10
	End Connection	ASME B16.5
	Valve Design	ASME B16.34
	Valve Test	API 598

Drawing No.	Date	Figure No.	Rev No.	
AN	Jan 10, 2018	ARTSBH-FS	002	
Ball Valve, Class 300, API607 Fire-Safe				
FLOCONTROL				



Mounting PAD  
ISO 5211



Dimensions (mm)

NPS	DN	L	D	C	G	O	t	Z-Ød	W	B	S	K	E	F	n-ØG	n-ØP
3"	80	283	76	127	168.3	210	29.0	8-Ø22	270	175	22	22	70	102	4-Ø10	4-Ø11
4"	100	305	100	157	200.0	254	32.2	8-Ø22	320	195	22	22	70	102	4-Ø10	4-Ø11

No.	PART	Qty	MATERIAL
1	Bonnet	1	ASTM A351 CF8M
2	Bolt	4	ASTM A193 B8
3	Gasket	1	RPTFE
4	Ball	1	SS 316
5	Seat	2	RPTFE
6	Body	1	ASTM A351 CF8M
7	Stem	1	ASTM A276 316
8	Stem Washer	1	RPTFE
9	Packing	-	RPTFE
10	Gland	1	ASTM A351 CF8
11	Stopper	1	SS 304
12	Bolt	2	ASTM A193 B8
13	Handle washer	1	PVC
14	Handle	1	SS 201
15	Washer	4	SS 304
16	Spring Washer	4	SS 304
17	Hexagon Head Bolt	4	ASTM A193 B8
18	Coupler	1	ASTM A29 1025
19	Yoke	1	ASTM A351 CF8
20			
21			
22			
23			
24			
25			

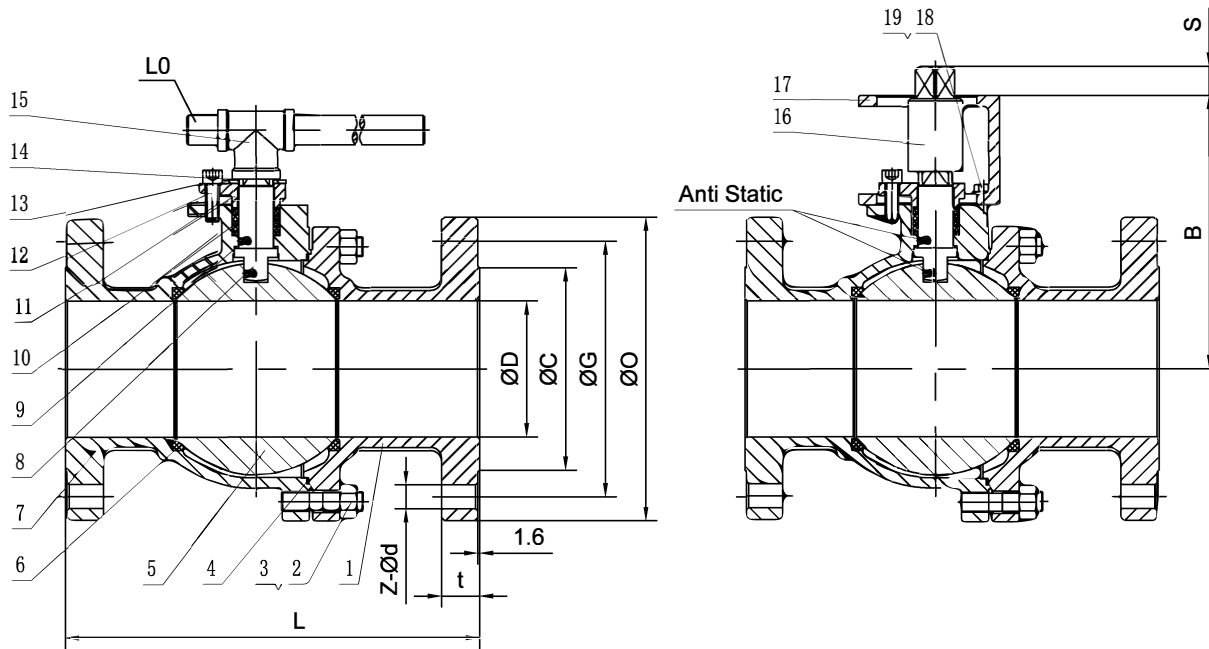
Test Pressure	Shell Test	7.5 MPa
	Seal Test	5.5 MPa
	Air Test	0.6 MPa
	Suitable Temp.	-29 ~ 180 °C
Standard	Face to Face	ASME B16.10
	End Connection	ASME B16.5
	Valve Design	ASME B16.34
	Valve Test	API 598

Drawing No.	Date	Figure No.	Rev No.
AN	Jan 10, 2018	ARTSBH-FS	002

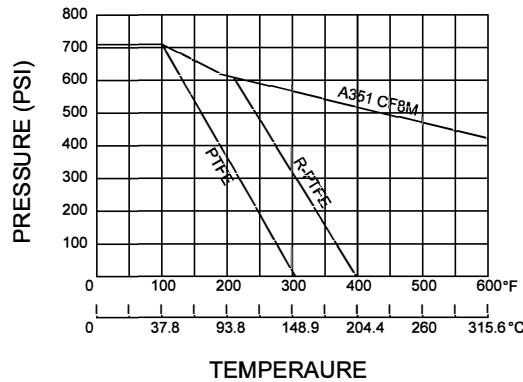
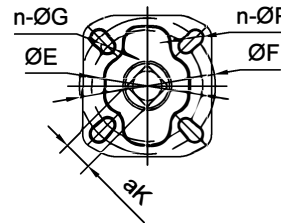
Ball Valve, Class 300, API607 Fire-Safe

FLOCONTROL





Mounting PAD  
ISO 5211



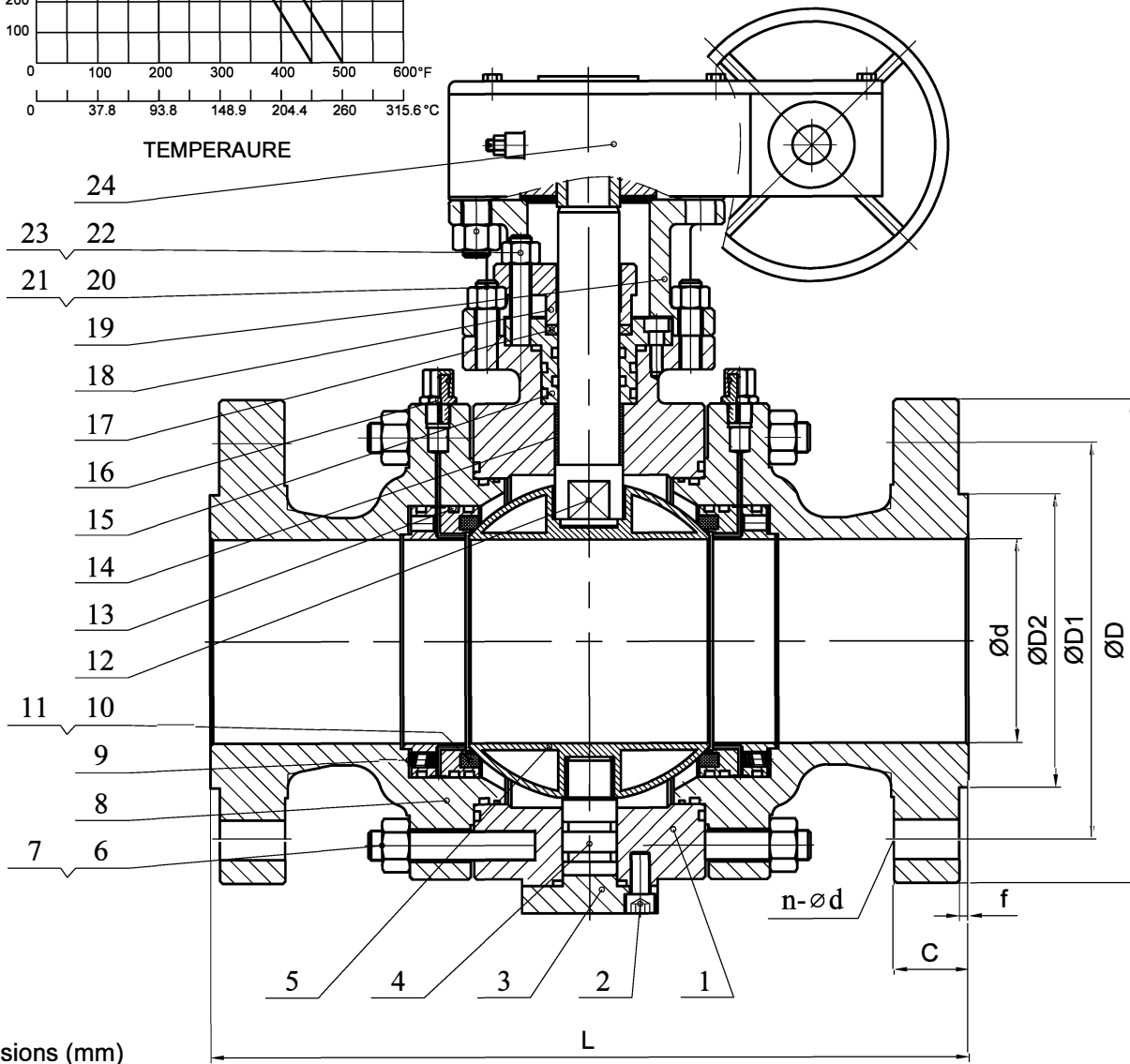
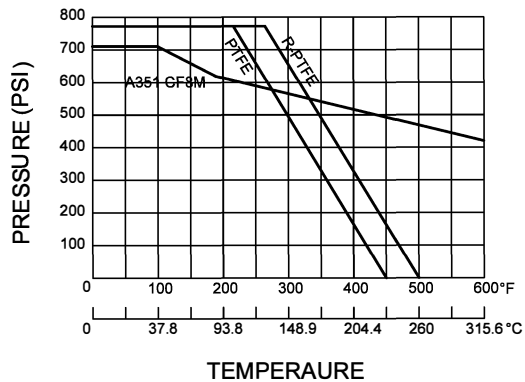
Dimensions (mm)

NPS	DN	L	D	C	G	O	t	Z-Ød	B	S	K	E	F	n-ØG	n-ØP
5"	125	381	125	186	235	279	35.4	8-Ø22	251	27	27	-	125	-	4-Ø14
6"	150	403	150	216	269.9	318	37.0	12-Ø22	276	27	27	140	165	4-Ø18	4-Ø22

No.	PART	Qty	MATERIAL
1	Bonnet	1	ASTM A351 CF8M
2	Stud	-	ASTM A193 B8
3	Nut	-	ASTM A194 8
4	Gasket	1	RPTFE
5	Ball	1	SS 316
6	Seat	2	RPTFE
7	Body	1	ASTM A351 CF8M
8	Stem	1	ASTM A276 316
9	Stem Washer	1	RPTFE
10	Packing	-	RPTFE
11	Gland	1	ASTM A351 CF8
12	Bolt	2	ASTM A193 B8
13	Stopper	1	ASTM A240 304
14	Snap Ring	1	SS 304
15	Handle	1	Stainless steel
16	Coupler	1	ASTM A29 1025
17	Yoke	1	ASTM A351 CF8
18	Bolt	4	ASTM A193 B8
19	WASHER	4	SS304
20			
21			
22			
23			
24			
25			

Test Pressure	Shell Test	7.5 MPa
	Seal Test	5.5 MPa
	Air Test	0.6 MPa
	Suitable Temp.	-29 ~ 180 °C
Standard	Face to Face	ASME B16.10
	End Connection	ASME B16.5
	Valve Design	ASME B16.34
	Valve Test	API 598

Drawing No.	Date	Figure No.	Rev No.	
AN	Feb 1, 2018	ARTSBH-FS	002	
Ball Valve, Class 300, API607 Fire-Safe				
FLOCONTROL				



Dimensions (mm)

NPS	DN	L	D	D1	D2	C	f	n-Ød						
8"	200	502	380	330.2	269.9	42	2	12-Ø25						
10"	250	568	445	387.4	323.8	48	2	16-Ø29						

No.	PART	Qty	MATERIAL
1	Body	1	ASTM A351 CF8M
2	Bolt	-	ASTM A193 B8
3	Lower Bonnet	1	ASTM A182 F316
4	Lower stem	1	ASTM A182 F316
5	Ball	1	ASTM A182 F316
6	Bolt	-	ASTM A193 B8
7	Nut	-	ASTM A194 8
8	Bonnet	1	ASTM A351 CF8M
9	Spring	-	Inconel X-750
10	Sealing Ring	2	RPTFE
11	Seat ring	2	ASTM A351 CF8
12	Upper Stem	1	ASTM A182 F316
13	O-Ring	-	Viton
14	Bearing	1	Cu+PTFE
15	The upper valve rod seat	1	ASTM A182 F316
16	Grease valve	1	ASTM A182 F316
17	Packing	-	Flexible graphite
18	Gland	1	ASTM A351 CF8M
19	Yoke	1	ASTM A351 CF8
20	Bolt	-	ASTM A193 B8
21	Nut	-	ASTM A194 8
22	Bolt	-	ASTM A193 B8
23	Nut	-	ASTM A194 8
24	Worm gear actuator	1	
25			

Test Pressure	Shell Test	7.5 MPa
	Seal Test	5.5 MPa
	Air Test	0.6 MPa
	Suitable Temp.	-29~150°C
Standard	Face to Face	ASME B16.10
	End Connection	ASME B16.5
	Valve Design	ASME B16.34
	Valve Test	API 598

Drawing No.	Date	Figure No.	Rev No.
AN	Jul 24, 2018	ARTSBH-FS	001

Ball Valve, Class 300, API607 Fire-Safe

FLOCONTROL

