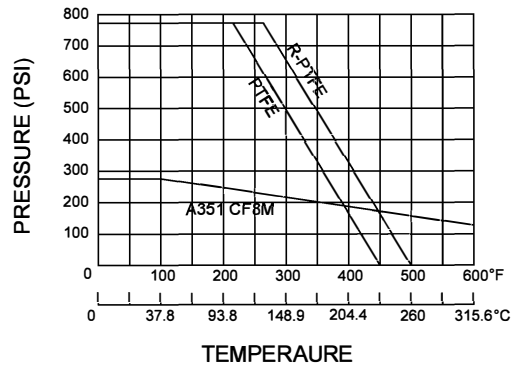


Mounting PAD
ISO 5211

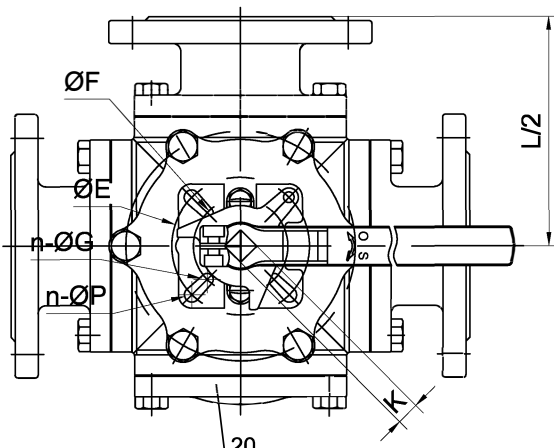
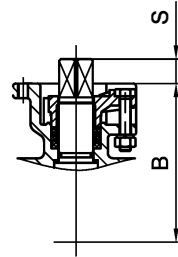
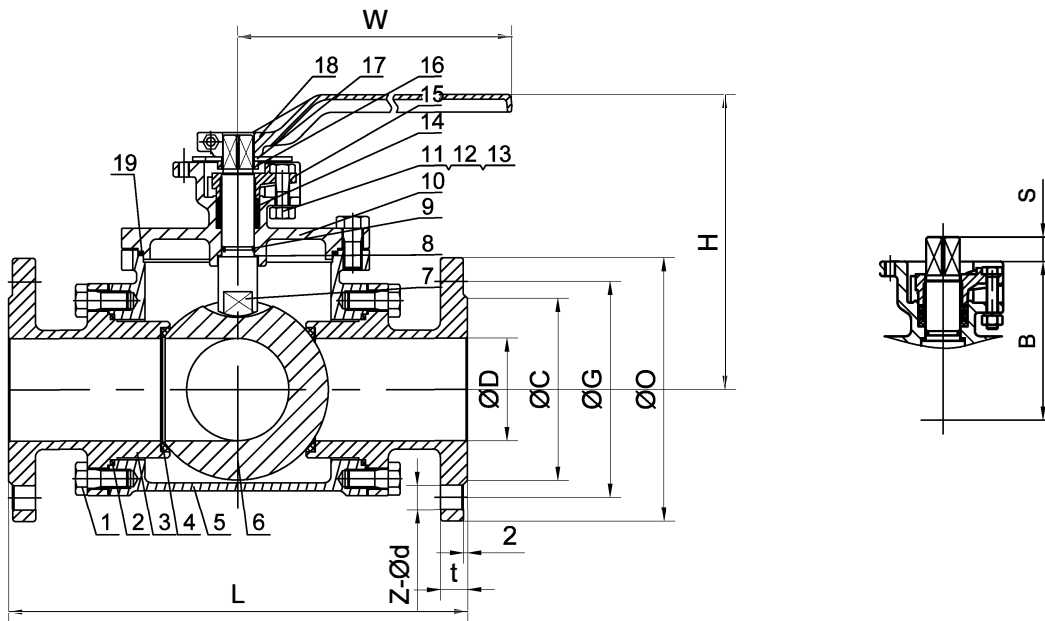


Dimensions (mm)

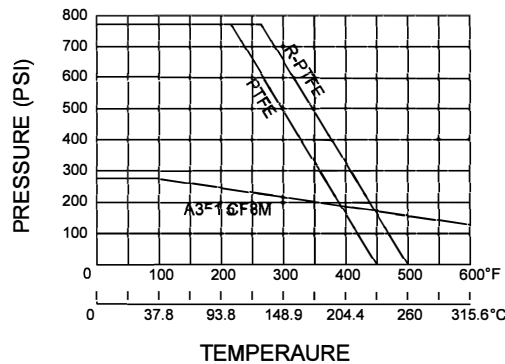
NPS	DN	L	D	C	G	O	t	Z-Ød	W	B	S	K	E	F	n-ØG	n-ØP
1"	25	215	25	50.8	79.4	115	12	4-Ø16	150	72	11	11	42	50	4-Ø6	4-Ø7
1 1/2"	40	255	40	73	98.4	125	15	4-Ø16	200	87	14	14	50	70	4-Ø7	4-Ø9
2"	50	280	50	92.1	120.7	150	16	4-Ø19	270	105	17	17	70	-	4-Ø9	-
2 1/2"	65	310	65	104.8	139.7	180	18	4-Ø19	270	114	17	17	70	-	4-Ø9	-

No.	PART	Qty	MATERIAL
1	Bolt	-	A2-70
2	Gasket	3	RPTFE
3	Bonnet	3	ASTM A351 CF8M
4	Seat	4	RPTFE
5	Body	1	ASTM A351 CF8M
6	Ball	1	SS316
7	Stem	1	ASTM A276 316
8	Stem Washer	1	RPTFE
9	O-Ring	1	VITON/NBR
10	Nut	2	A2-70
11	Spring Washer	2	SS304
12	Bolt	2	A2-70
13	Packing	-	RPTFE
14	Gland	1	ASTM A351 CF8
15	Washer	1	PVC
16	Stopper	1	SS 304
17	Handle	1	STAINLESS STEEL
18			
19			
20			
21			
22			
23			
24			
25			
Test Pressure	Shell Test	3.0 MPa	
	Seal Test	2.2 MPa	
	Air Test	0.6 MPa	
	Suitable Temp.	-29 ~ 180 °C	
Standard	Face to Face	ASME B16.10	
	End Connection	ASME B16.5	
	Valve Design	ASME B16.34	
	Valve Test	API 598	
Drawing No.	Date	Figure No.	Rev No.
AN	18 July, 2018	ARB36FET	002
T Type 3-Way Ball Valve, Class 150			
FLOCONTROL			





Mounting PAD
ISO 5211



Dimensions (mm)

NPS	DN	L	D	C	G	O	t	Z-Ød	W	B	S	K	E	F	n-ØG	n-ØP
3"	80	340	76	127	152.4	190	19.5	4-Ø19	320	168	17	17	70	102	4-Ø9	4-Ø11
4"	100	390	100	157.2	190.5	230	24.3	8-Ø19	500	190	22	22	70	102	4-Ø9	4-Ø11

No.	PART	Qty	MATERIAL
1	Bolt	-	A2-70
2	Gasket	4	RPTFE
3	Bonnet	3	ASTM A351 CF8M
4	Seat	4	RPTFE
5	Body	1	ASTM A351 CF8M
6	Ball	1	SS316
7	Stem	1	ASTM A276 316
8	Stem Washer	1	RPTFE
9	O-Ring	1	VITON/NBR
10	Upper Bonnet	1	ASTM A351 CF8M
11	Nut	2	A2-70
12	Spring Washer	2	SS304
13	Bolt	2	A2-70
14	Packing	-	RPTFE
15	Gland	1	ASTM A351 CF8
16	Washer	1	SS304
17	Stopper	1	SS304
18	Handle	1	STAINLESS STEEL
19	Gasket	1	RPTFE
20	Back Bonnet	1	ASTM A351 CF8M
21			
22			
23			
24			
25			

Test Pressure	Shell Test	3.0 MPa
	Seal Test	2.2 MPa
	Air Test	0.6 MPa
	Suitable Temp.	-29 ~ 180 °C
Standard	Face to Face	ASME B16.10
	End Connection	ASME B16.5
	Valve Design	ASME B16.34
	Valve Test	API 598

Drawing No.	Date	Figure No.	Rev No.
AN	18 July, 2018	ARB36FET	002

T Type 3-Way Ball Valve, Class 150

FLOCONTROL

