

# FASA

## Extra fast acting actuator for high performance applications

- fast opening / fast closing < 1 sec
- full bore valve for maximum throughput

DN 25E - 300E / PN 10 - 40

NPS 1E - 12E / Class 150 - 300

Application range:  $-29 < T < 230/280^{\circ}\text{C}$  , vacuum

10-8 mbar

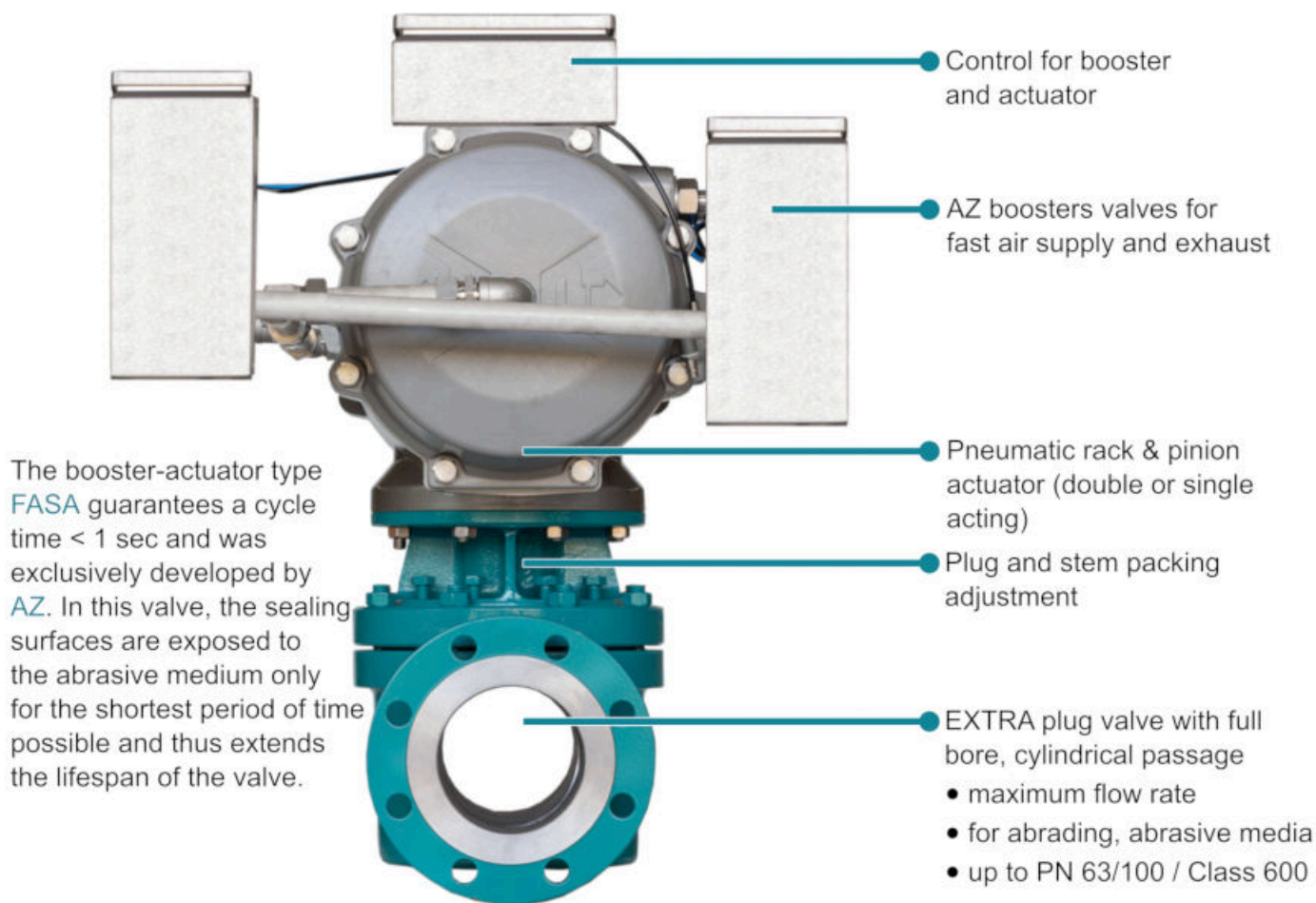


## Design Features

- “fast acting” double/single acting actuator
- protected sealing areas - free of cavities
- extra long durability
- maintenance free
- double shut-off sealing
- adjustable
- FDA conformity

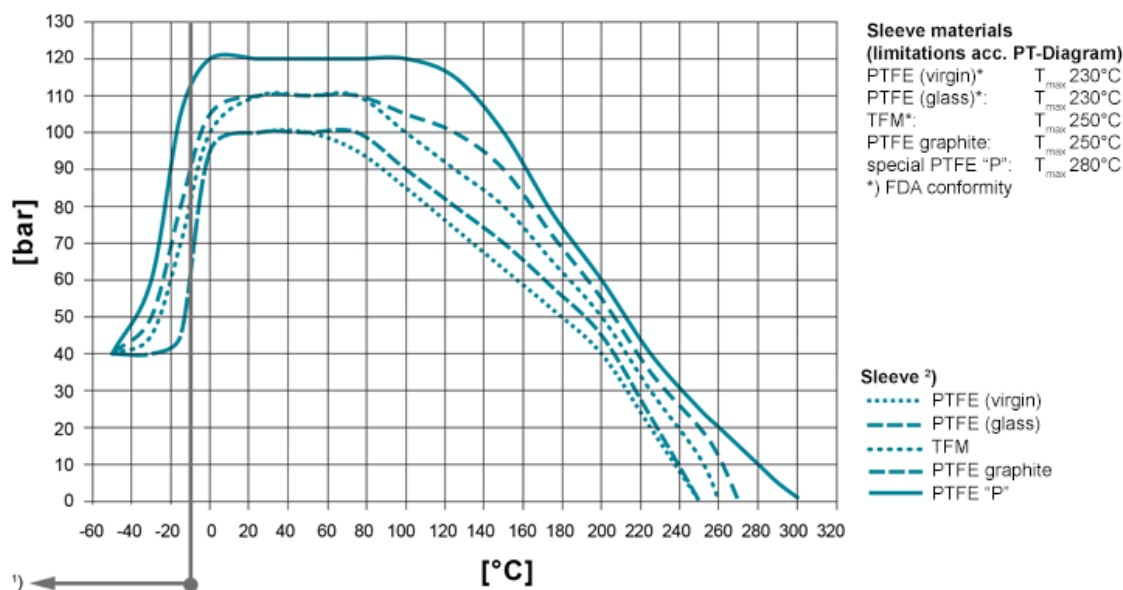
## Optionen

- painted
- flushing device
- heating jacket
- oil- and grease-free assembling
- piggable



## PT-Diagram

General Pressure-Temperature-Diagram



**Operating temperatures < -30°C and > 220 °C have to be checked and approved by AZ according to the operating conditions.** Besides the P/T value of the sleeve the limitations of the valve bodies also have to be considered. Please refer to the EN 12516-1 resp. ASME B16.34 in order to choose a proper pressure rating (PN/class). The shown values refer to austenitic stainless steel 1.4408 (A351 Gr. CF8M). 1) For operating temperatures below -10°C low temperature / austenitic steels are required.

2) Sleeve: There are different sleeve materials / compounds available.

## Materials

### Standard body materials

- Carbon Steel 1.0619, ASTM A216 WCB
- Stainless Steel 1.4408, ASTM A351 CF8M
- Stainless Steel 1.4308, ASTM A351 CF8
- Unalloyed stainless steel casting (low Temp.) 1.1138, LCC/LCB/A352
- Stainless Steel 1.4408, ASTM A351 CF8M

### Standard plug materials

- Stainless Steel 1.4308, ASTM A351 CF8
- Alloy
- Monel
- Nickel
- Zirconium
- Titan
- Tantal
- other materials on request

## Sealing Systems

Standard sealing for all major applications;

T<sub>max</sub> 230°C

### **Type STD**

[read more \[...\]](#)

Firesafe sealing (API 607) with graphite packing for additional stem sealing; T<sub>max</sub> 230°C

### **Type FS**

[read more \[...\]](#)

Chemical sealing to prevent fugitive emission of aggressive and toxic media with PTFE packing for additional stem sealing;

T<sub>max</sub> 230°C

### **Type CA**

[read more \[...\]](#)

Firesafe safety sealing (API 607) for fluctuating temperatures

with 3x graphite packing (adjustable) for additional stem sealing; T<sub>max</sub> 280°C

### **Type FSN**

[read more \[...\]](#)

Firesafe safety sealing (API 607) for fluctuating temperatures

with 3x graphite packing (live loaded disc springs) for additional

stem sealing; T<sub>max</sub> 280°C

### **Type FSN-SL**

[read more \[...\]](#)

Chemical safety sealing for fluctuating temperatures with 3x PTFE packing (adjustment) for additional stem sealing;

T<sub>max</sub> 230°C

### **Type CASN**

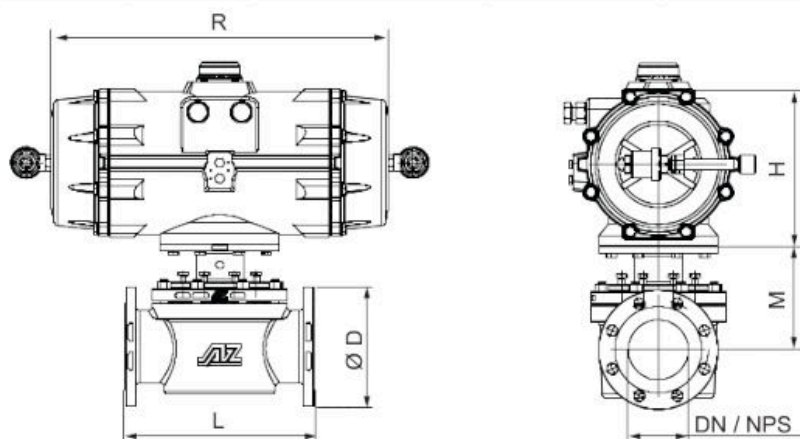
[read more \[...\]](#)

Chemical safety sealing for fluctuation temperatures with 3x PTFE packing (live loaded disc springs) for additional stem sealing; T<sub>max</sub> 230°C

### **Type CASN-SL**

[read more \[...\]](#)

## Dimensions

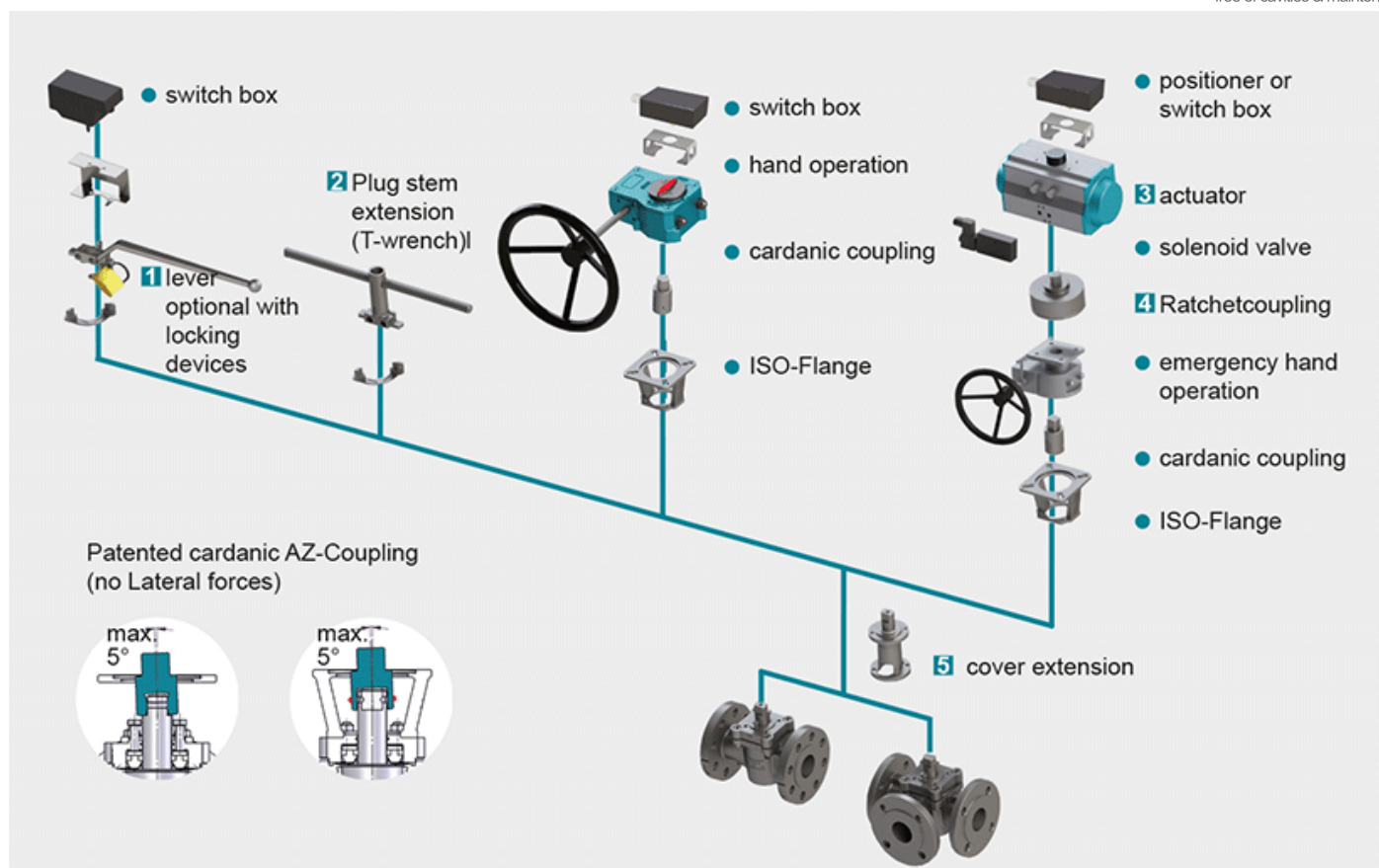


EN 1092/1 / 558-1, PN40	DN	L [mm]	Ø D [mm]	M [mm]	H [mm]	R [mm]	Antrieb	Drehmoment [Nm]	Luftmenge* [ltr./90°Betätigung]
	25E	160	115		**	**	**	**	**
	40E	200	150		**	**	**	**	**
	50E	230	165		177	395	FASA-450	175	30
	65E	260	185		196	422	FASA-600	250	80
	80E	310	200		196	422	FASA-600	300	80
	100E	350	235		299	605	FASA-2000	1000	180
	150E	480	300		410	855	FASA-5000	2000	500
	200E	600	375		410	855	FASA-5000	3200	500
	250E	730	450		**	**	**	**	**
300E	850	515		**	**	**	**	**	
ASME B16.5 / 16.10 Class 300	NPS	L [mm]	Ø D [mm]	M [mm]	H [mm]	R [mm]	Antrieb	Drehmoment [Nm]	Luftmenge* [ltr./90°Betätigung]
	1E	230	125		**	**	**	**	**
	1½E	260	155		**	**	**	**	**
	2E	300	165		177	395	FASA-450	175	30
	2½E	290	190		196	422	FASA-600	250	80
	3E	310	210		196	422	FASA-600	300	80
	4E	430	255		299	605	FASA-2000	1000	180
	6E	550	320		410	855	FASA-5000	2000	500
	8E	650	380		410	855	FASA-5000	3200	500
	10E	775	445		**	**	**	**	**
	12E	850	520		**	**	**	**	**

\*) required air consumption at 6 bar, 90°

\*\*) on request

## Actuation



### 1 Locking Devices

Pilot valve combinations, pad lock eyelets, linear key conception, indexing plunger arrestor.

### [read more \[...\]](#) 2 Plug stem extension

Solid construction in stainless steel with T-wrench, Standard extension 100 mm or 150 mm, non standard lengths are available on request

### [read more \[...\]](#) 3 Actuators

Actuators for mounting-flange acc. to DIN ISO 5211

[read more \[...\]](#) NEW: Pneumatic actuator AIR GEAR for plug valves with high torque =150.000 Nm

### [read more \[...\]](#) 4 Ratched coupling

To usw on multiport valves with standard 90° actuator for bigger switchpositions than 90°

### [read more \[...\]](#) 5 Cover extension

Solid construction in stainless steel, Standard extension 100 mm or 150 mm high, non standard lengths are available on request . Hexagonal bolts on adjustment ring freely accessible. Note: Don't use with sealing FSN/FSN-SL and CASN/CASN-SL

[read more \[...\]](#)