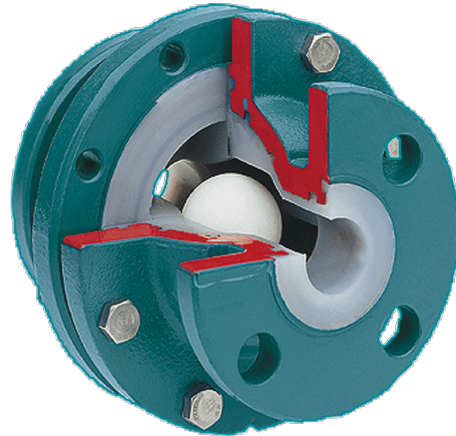


# GLOBUS

## Ball check valve with FEP/PFA lining, with or without sightglass

DIN-EN: DN 15 - 250 / PN 10 - 40

ASME: NPS 1" - 4" / class 150



## Design Features

**Design Characteristics** • temperatur range up to 150°C (Type GLOBUS) / 130°C (Type GLOBUS-SG)

• Borosilikat sightglass for visual function control (Type GLOBUS-SG)

• FFEP or PFA lining (3 m min.) **Condition:**

After the check valve in flow direction the pipe-DN must correspond to the check valve-DN. Recommendation for vertical type: DELTA. When vertically installed ( $=0^\circ$ ) resp. (up to  $60^\circ$  angle) ball ceck valves close automatically, because ball is guided in the centre of the bore. When horizontally installed ( $=90^\circ$ ) resp. (up to  $30^\circ$ ) the valves close automatically if the back flow related water is 1,5 - 2,5 m/sec

## Materials

### Standard

• Ductile cast iron ENJS 1049, ASTM Gr 60-40-18 / A395 **Special materials**

• Carbon Steel 1.0619 / ASTM A216 WCB

• Stainless steel 1.4308 / ASTM A351 CF8M

• Unalloyed stainless steel casting (low Temp.) 1.1138 / LCC/LCB / A352 **Sightglass**

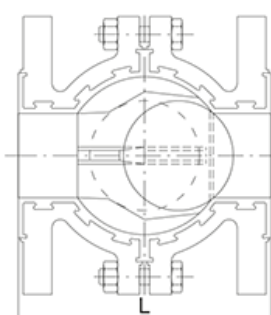
• Borosilikat **Ball**

- PTFE Lining materials
- Body: PFA, PFA-conductive, FEP

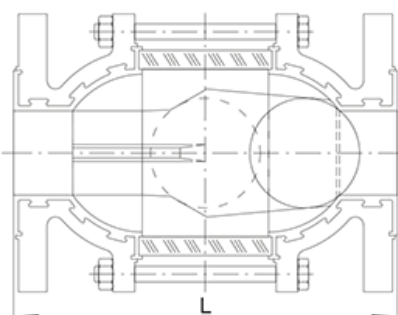
## Dimensions

|                   | GLOBUS   |       |     | GLOBUS-SG |                |     |
|-------------------|----------|-------|-----|-----------|----------------|-----|
|                   | DN       | PN    | LG  | PN        | $p_{max}^{**}$ | L   |
| DIN 3202/EN 568-1 | 15       | 10-40 | 115 | 16        | 15,8           | 130 |
|                   | 20       | 10-40 | 120 | 16        | 13,5           | 150 |
|                   | 25       | 10-40 | 125 | 16        | 11,2           | 160 |
|                   | 32       | 10-40 | 130 | 16        | 8,7            | 180 |
|                   | 40       | 10-40 | 140 | 16        | 11,9           | 200 |
|                   | 50       | 10-40 | 150 | 10        | 9,0            | 230 |
|                   | 65       | 10-40 | 170 | 10        | 7,7            | 290 |
|                   | 80       | 10-40 | 180 | 10        | 6,2            | 310 |
|                   | 100      | 10/16 | 190 | 10        | 3,8            | 350 |
|                   |          | 25/40 |     |           |                |     |
|                   | 150      | 10/16 | 267 | 10        | *              | 350 |
|                   |          | 25/40 |     |           |                |     |
| 200               | 10/16/25 | 292   | 10  | *         | 400            |     |
| 250               | 10/16/25 | 330   | 10  | *         | 450            |     |
| ASME B 16.5       | NPS      | PN    | LG  | PN        | $p_{max}^{**}$ | L   |
|                   | 1"       | 150   | 125 | 150       | 11,2           | 160 |
|                   | 1½"      | 150   | *   | 150       | *              | *   |
|                   | 2"       | 150   | 150 | 150       | 9,0            | 230 |
|                   | 3"       | 150   | 180 | 150       | 6,2            | 310 |
|                   | 4"       | 150   | 190 | 150       | 4,8            | 350 |

Type GLOBUS (without sightglass)



Type GLOBUS-SG (with sightglass)



\* on request

Higher pressure load on request

Other DN, PN, e.g. ANSI 300 and JIS as well as other materials on request