

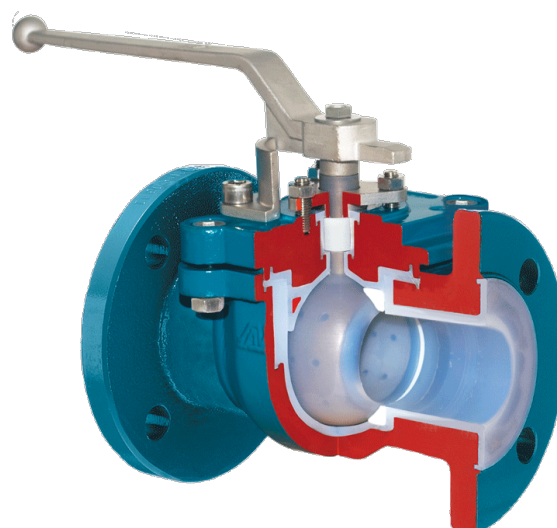
# MONOBLOC EXTRA

**Two way ball valve with top entry design (one-piece body) with full bore, with chemical-resistant lining and ISO top flange**

DIN-EN: DN 15 - 100 / PN 10 - 25

ASME: NPS ½" - 8" / class 150

PT range:  $-30 < T < 230^{\circ}\text{C}$



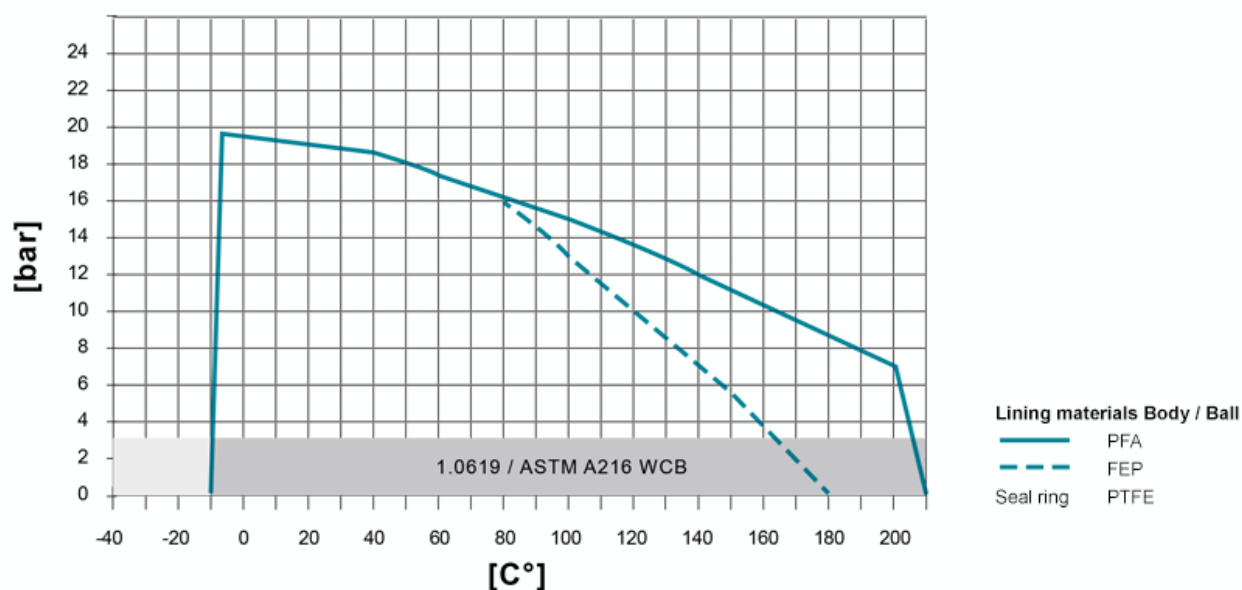
## Design Features

### Design Characteristics

- full bore
- one-piece body (MONOBLOC), top entry design
- easy replacement of sealings
- integral ball and stem
- anti-blow-out
- with readjustable stuffingbox packing
- cavity minimized
- maintenance free - self lubricating
- mounting-flange for actuators acc. to DIN ISO 5211
- with chemical resistant lining - thickness min. 3 mm
- fugitive emission resp. clean air act certified (TA - Luft 2002 approval)
- Directive 2014/68/EU
- FDA conformity

## PT-Diagram

General Pressure-Temperature-Diagram



The specified values depend on the respective application (medium). Operating temperatures under -20°C only with body material 1.4408 or low-temperature steel. High pressure resistance / temperature resistance on request, e.g. PN 40. Sleeve: There are different sleeve materials / compounds available.

## Materials

### Standard body materials

- Ductile cast iron ENJS 1049, ASTM Gr 60-40-18 / A395 **Standard plug materials**

- Stainless Steel 1.4308, ASTM A351 CF8 **Special materials**

- Carbon Steel 1.0619, ASTM A216 WCB

- Stainless Steel 1.4408, ASTM A351 CF8M

- Unalloyed stainless steel casting (low Temp.) 1.1138, LCC/LCB/A352 **Lining materials**

- Body: PFA, PFA-conductive, FEP

- Ball: PTFE, PFA, PFA-conductive, FEP

- Seal Ring: PTFE

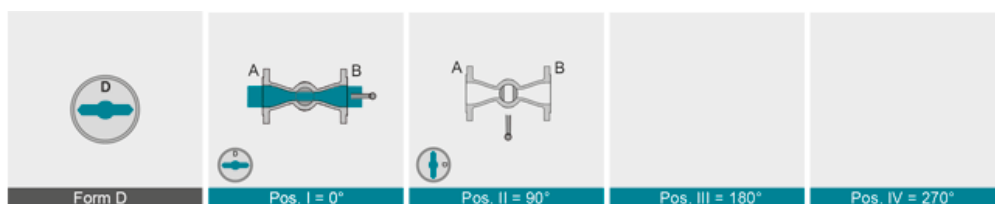
## Sealing Systems

Chemical sealing to prevent fugitive emissions of aggressive and toxic media with PTFE packing for additional stem sealing;  $T_{max}$  230°C

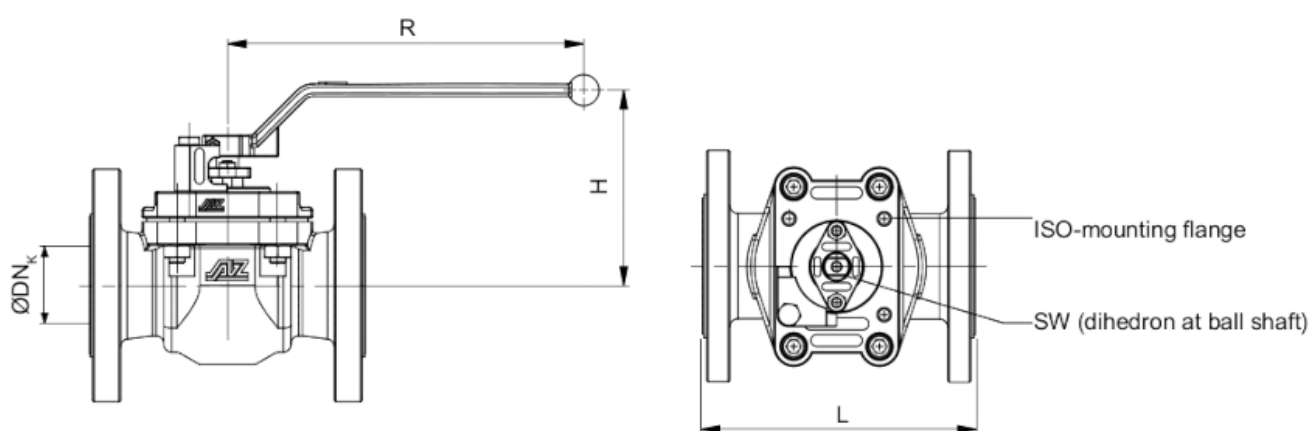
### Type CAS

[read more \[...\]](#)

## Port Forms



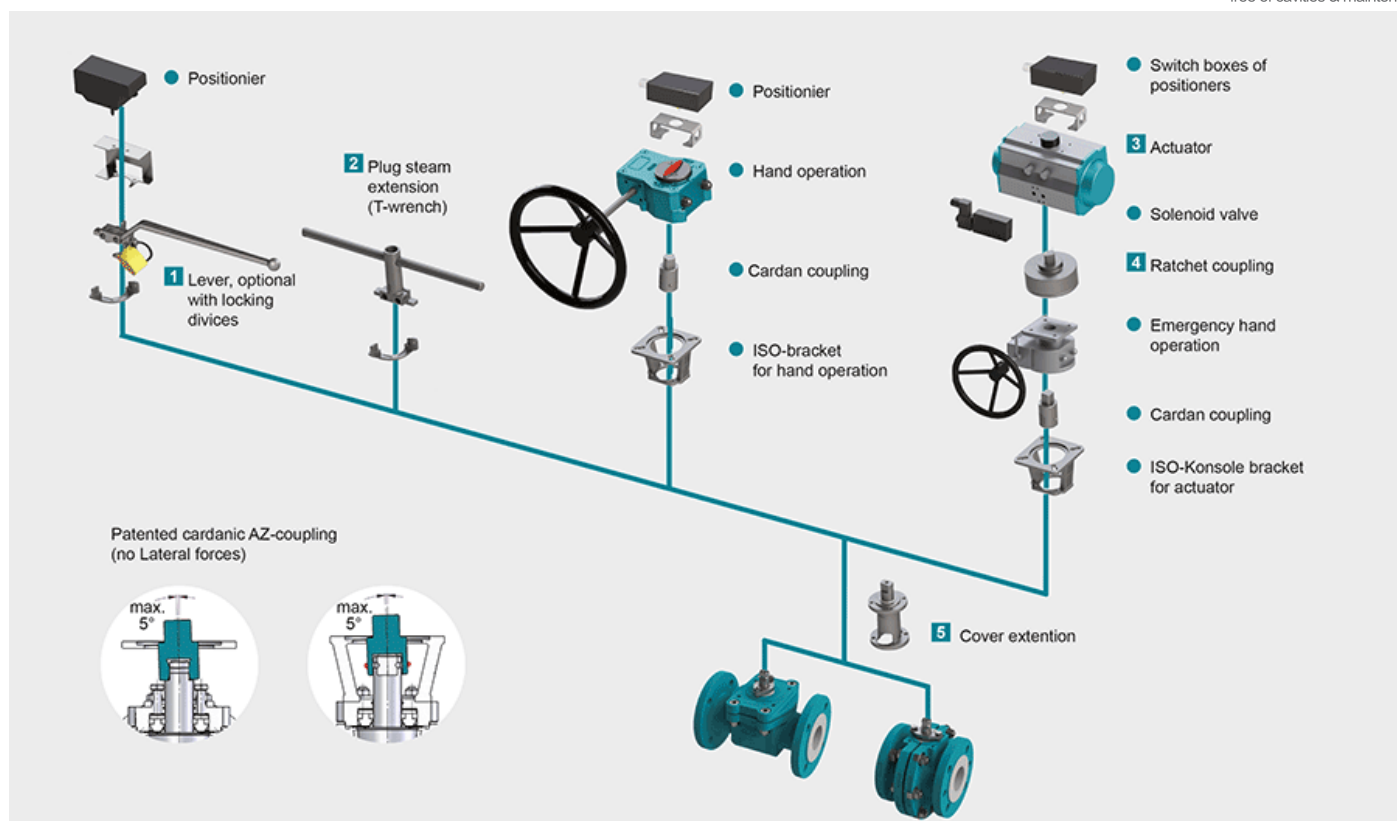
## Dimensions



		Type MONOBLOC-EXTRA										
		DN	PN	L	R	H	ISO-5211 flange	SW [mm]	torque* [Nm]	weight [kg]	$K_{vs}$ value [m <sup>3</sup> /h]	$C_v$ -Wert [US.gal/min]
EN 1092-1 / 558-1		25	16	160	230	119	F07	11	45	**	70	81
		40	16	200	230	126	F07	11	45	**	193	223
		50	10-16	230	320	143	F10	14	50	**	323	374
		80	10-16	310	600	199	F12	22	120	**	947	1095
		100	10-16	350	600	202	F14	22	120	**	1446	1672
		150	10-16	350	600	227	F16	27	160	**	3338	3859
	200	10-16	400	600	277	F16	27	270	**	6362	7356	
		NPS	Class	L	R	H	ISO-5211 flange	SW [mm]	torque* [Nm]	weight [kg]	$K_{vs}$ value [m <sup>3</sup> /h]	$C_v$ -Wert [US.gal/min]
ASME B 16.5 / 16.10		1"	150	160	230	119	F07	11	45	**	70	81
		1½"	150	200	230	126	F07	11	45	**	193	223
		2"	150	230	320	143	F10	14	50	**	323	374
		3"	150	310	600	199	F12	22	120	**	947	1095
		4"	150	350	600	202	F14	22	120	**	1446	1672
		6"	150	350	600	227	F16	27	160	**	3338	3859
		8"	150	400	600	277	F16	27	270	**	6362	7356

For geometric reasons, threads are used in the flange bores in a few cases

## Actuation



## 1 Locking Devices

Pilot valve combinations, pad lock eyelets, linear key conception, indexing plunger arrestor.

## [read more \[...\]](#) 2 Plug stem extension

Solid construction in stainless steel with T-wrench, Standard extension 100 mm or 150 mm, non standard lengths are available on request

## [read more \[...\]](#) 3 Actuators

Actuators for mounting-flange acc. to DIN ISO 5211

[read more \[...\]](#) NEW: Pneumatic actuator AIR GEAR for plug valves with high torque =150.000 Nm

## [read more \[...\]](#) 4 Ratched coupling

To usw on multiport valves with standard 90° actuator for bigger switchpositions than 90°

## [read more \[...\]](#) 5 Cover extension

Solid construction in stainless steel, Standard extension 100 mm or 150 mm high, non standard lengths are available on request . Hexagonal bolts on adjustment ring freely accessible. Note: Don't use with sealing FSN/FSN-SL and CASN/CASN-SL

[read more \[...\]](#)