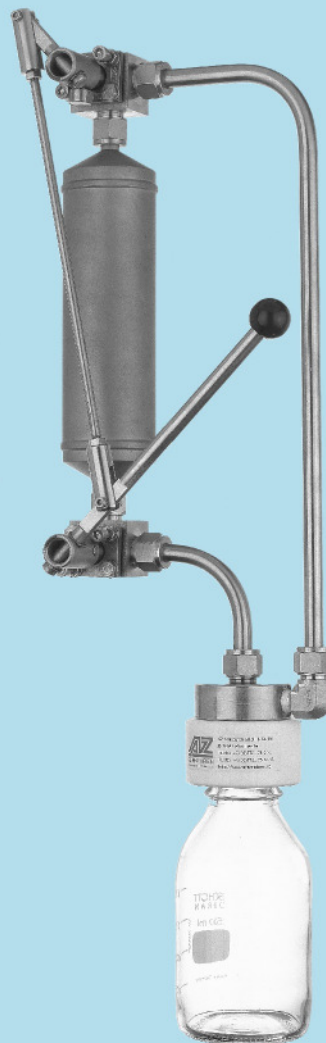


## TYPE "VARIO" Sampling-System



5.3.2

- closed system
- cavity free
- free definable sample quantity
- pressure free sampling (positive overlap)
- spilling eliminated and contamination free
- simple and safe operation
- absolutely tight
- compact design

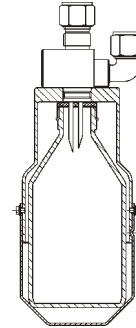
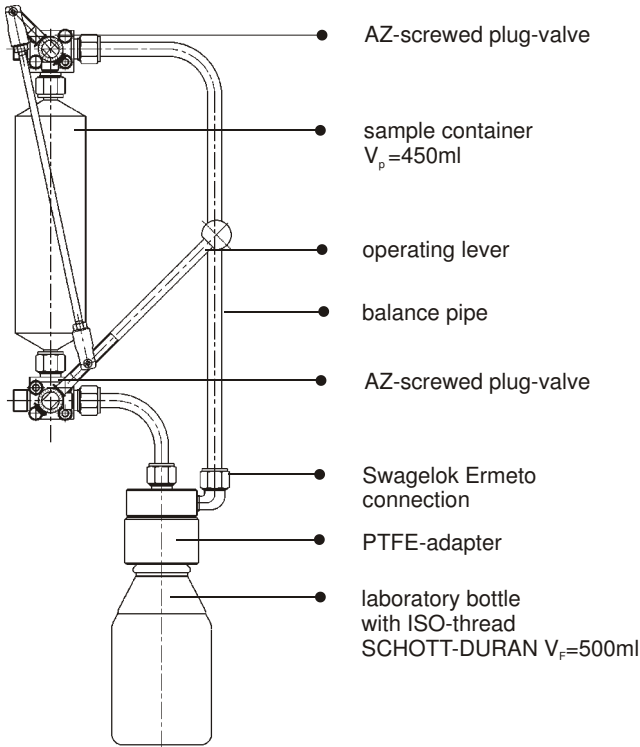


# Sampling-System

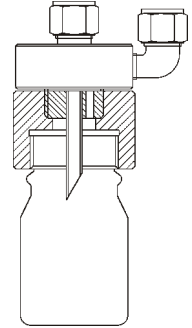
## Type "VARIO"

Due to the integrated stainless steel sample container it is now possible to take "bigger" sample quantities. The quantities are exactly defined by the size of the sample container. The type "VARIO" is available in 2 different designs (VARIO and VARIO G2) and both of these can be provided with 2 different bottle systems (Type "A" and "B").

### "VARIO B" PN25

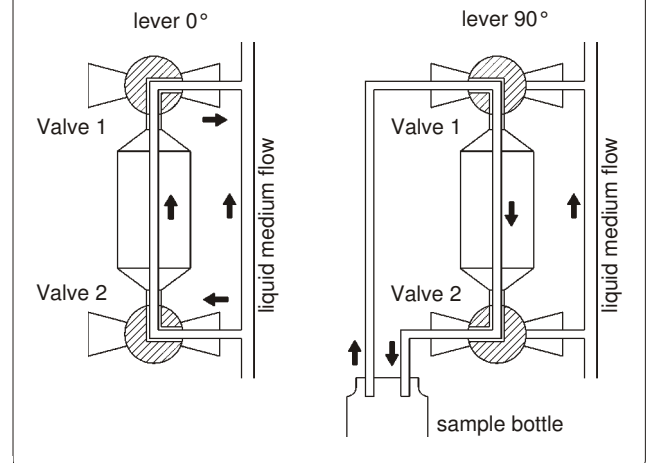


Type "A"  
with needle-system

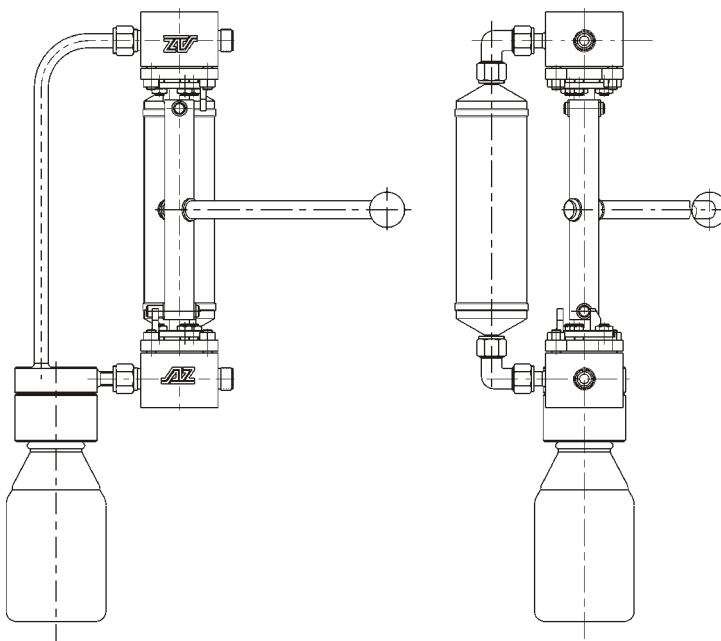


Type "B"  
with PTFE-adapter  
for laboratory-bottle

### Function Scheme



### "VARIO G2 B" PN40/63



### Features "VARIO"

- cast limit stops (G2)
- solid coupling between the screwed plug-valves (G2)
- also available with actuator (G2)
- special sealing on request (G2)
- compact design
- closed system
- free definable sample quantity
- heating jacket on request

#### Order Example:

Type VARIO-G2-B-DN8-PN40-1.4571  $V_p=450\text{ml}$   $V_F=500\text{ml}$

VARIO G2 = type of sampling design, B = bottle system,  
 DN8 = size, PN40 = rating, 1.4571 = body material,  
 $V_F$  450ml = sample quantity,  $V_p$  500ml = bottle volume



**AZ-Armaturen GmbH**  
 D-78087 Mönchweiler  
 Waldstraße 7  
 Telefon +49 (0)7721 7504-0  
 Telefax +49 (0)7721 7504-13  
 e-mail: info@az-armaturen.de  
<http://www.az-armaturen.de>