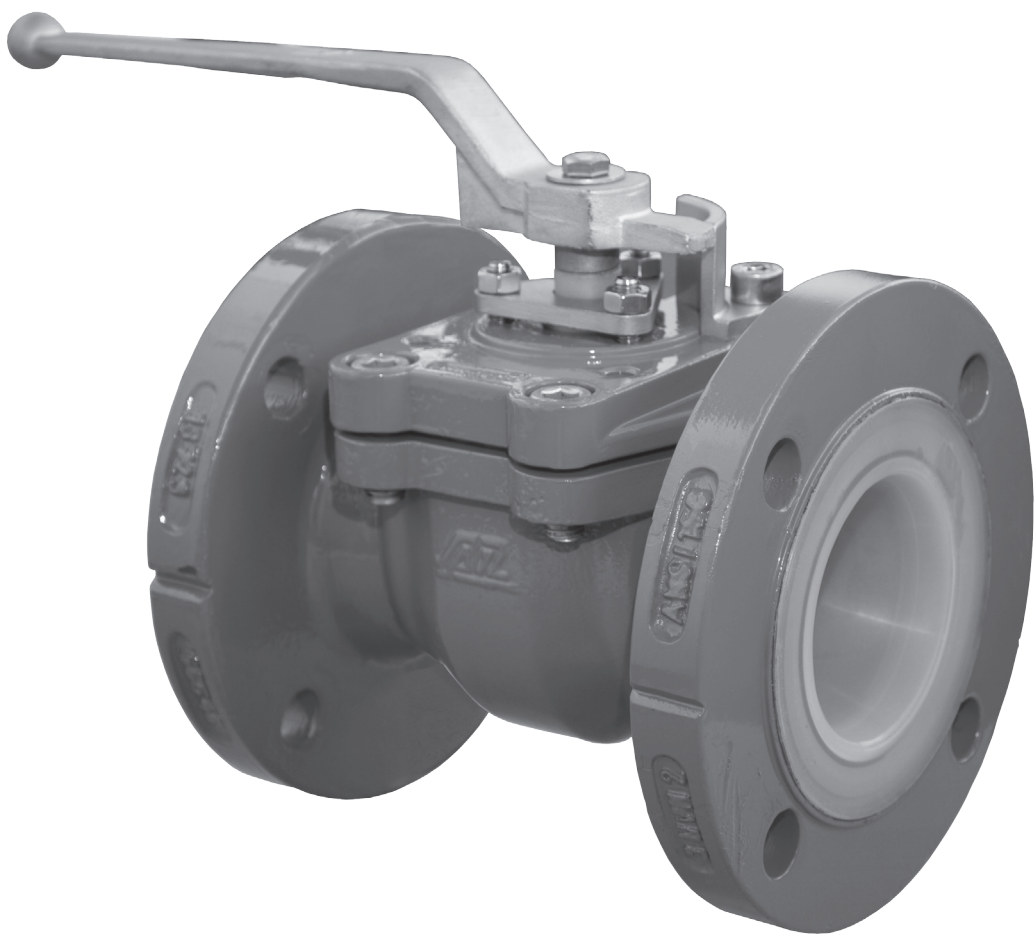


TYPE Monobloc - NVN2

Ball Valve FEP/PFA - lining

DN50 - 200 / PN16

NPS2" - 8" / class 150

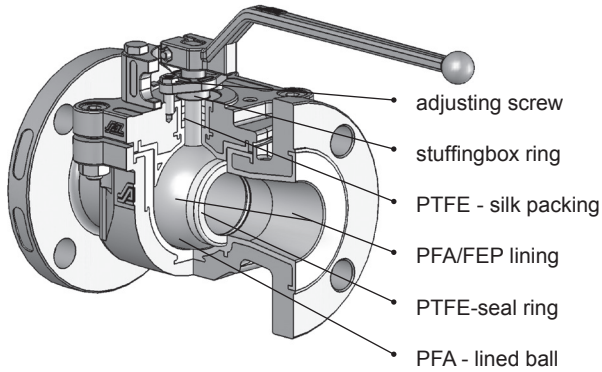


3.3

- one-piece durable body (monobloc)
- top entry
- chemical resistant
- cavity minimized design
- actuator mounting acc. to DIN/ISO 5211
- face to face dimensions acc. to DIN and ASME
- maintenance free, self-lubricating
- adjustable shaft sealing
- minimum 3 mm PFA/FEP lining

TYPE Monobloc - NVN2

design characteristics

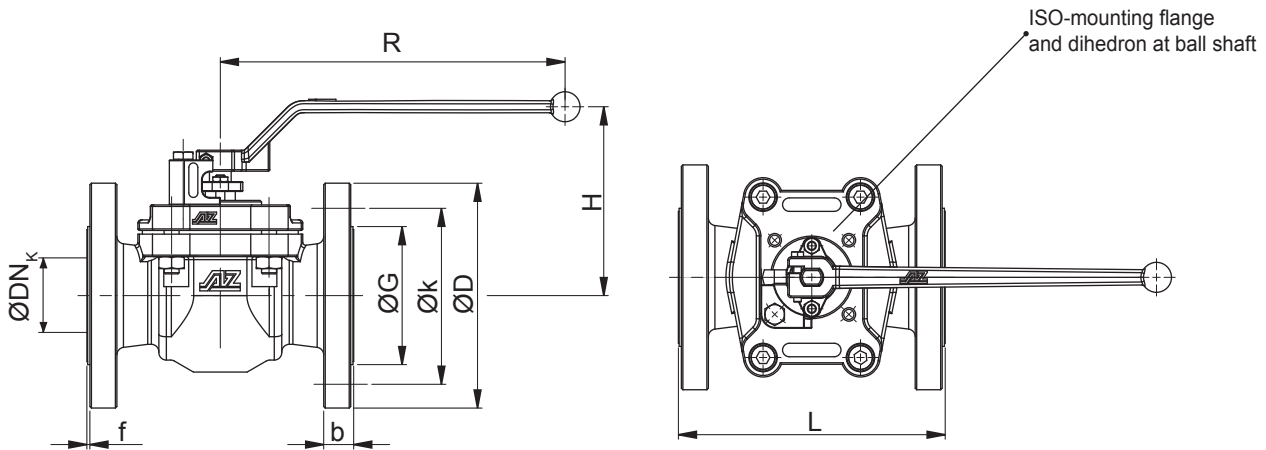


- one-piece durable body (monbloc)
- top entry
- cavity minimized design chemical resistant
- face to face dim. acc. to EN 1092/1 and ASME B 16.10
- mounting flange acc. to DIN ISO 5211
- ball and ball shaft one-piece - no blow-out!
- adjustable shaft sealing
- easy automation
- temperature range: - 40°C bis +200°C
- lining: minimum 3 mm

Materials:

body: EN-GJS-400-18 (GGG 40.3) / ASTM A395 / A 536, 1.0619 (GS-C 25) / ASTM A216 WCB, 1.1138 / ASTM A352LCB (GS21MN5), 1.4408 / ASTM A351 CF8M
 Ball-plug: 1.4408 / ASTM A351 CF8M
 lining-body: FEP, PFA, PFA-leitfähig, PVDF lining Ball-plug: PFA, PFA-leitfähig, PVDF

Only virgin resin granulate is used, no regenerated material or similar.
 Different body and lining materials on request.



	DN	ØDN _k	PN	L	øD	øG	flange hole			b	f	R	H	ISO 5211 flange	dihedron [mm]	torque.[Nm] Δp=10bar*	weight [Kg]
							øk	No.	ø								
DIN EN 1092/1 / 558-1	50	40	10-16	230	165	102	125	4	18	20	3	170	128	F07	11	45	**
	80	50	10-16	310	200	138	160	8	18	24	3	230	143	F10	14	50	**
	100	80	10	350	220	158	180	8	18	20	3	320	174	F12	19	120	**
			16		235	162	190		22	24							
	150	100	10	350	285	212	240	8	22	22	3	420	200	F14	22	120	**
16			300		218	250	26		26								
200	150	10-16	457	340	268	295	8-12	22	24	3	530	250	F16	27	160	**	
	NPS	ØDN _k	Class	L	øD	øG	flange hole			b	f	R	H	ISO 5211 flange	dihedron [mm]	torque.[Nm] Δp=10bar*	weight [Kg]
ASME B 16.5 / 16.10	2"	40	150	178	152,4	91,9	120,7	4	19,1	19,1	1,6	170	128	F07	11	45	**
	3"	50	150	203	190,5	127	152,4	4	19,1	23,9	1,6	230	143	F10	14	50	**
	4"	80	150	229	228,6	157,2	190,5	8	19,1	23,9	1,6	320	174	F12	19	120	**
	6"	100	150	267	279,4	215,9	241,3	8	22,4	25,4	1,6	420	200	F14	22	120	**
	8"	150	150	292	342,9	269,7	298,5	8	22,4	29,4	2,5	530	250	F16	27	160	**

* recommended safety factor for actuator +40%*
 ** on request

Order example: F-2-Monobloc-NVN2-DN50-PN40-GGG40.3
 F = flange, 2 = twoway, Monobloc-NVN2 = ball valve
 Monobloc-NVN2, DN50 = size, PN40 = rating,
 GGG40.3 = body material



AZ-Armaturen GmbH
 D-78087 Mönchweiler
 Waldstraße 7
 Telefon: +49 (0)7721 7504-0
 Telefax: +49 (0)7721 7504-13
 info@az-armaturen.de
 www.az-armaturen.de