

F-2 ISO-STANDARD CA

Two way plug valve with ISO top flange, sealing system CA

DIN-EN: DN 15 - 600 / PN 10 - 40

ASME: NPS ½" - 24" / class 150 - 300

PT range: $-30 < T < 230^{\circ}\text{C}$, vacuum 10-8 mbar



Design Features

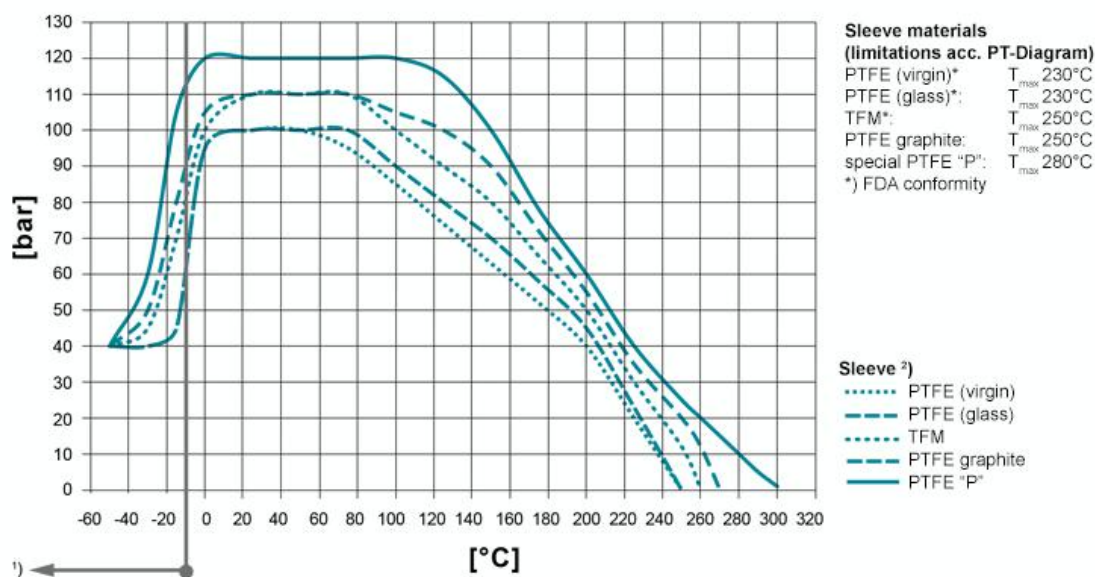
Design Characteristics

- free of cavities
 - maintenance free - self lubricating
 - mounting-flange for actuators acc. to DIN ISO 5211
 - easy accessible adjustment of the plug, even with mounted actuator
 - vacuum tight
 - fugitive emission resp. clean air act certified (TA-Luft 2002 approval)
- AZ-Armaturen GmbH · D-78087 Mönchweiler · Waldstr. 7 · Tel.: +49 (0) 7721 7504-0 · info@az-armaturen.de · www.az-armaturen.de

- PED 97/23/EG
- FDA conformity

PT-Diagram

General Pressure-Temperature-Diagram



Operating temperatures < -30°C and > 220 °C have to be checked and approved by AZ according to the operating conditions.

Besides the P/T value of the sleeve the limitations of the valve bodies also have to be considered. Please refer to the EN 12516-1 resp. ASME B16.34 in order to choose a proper pressure rating (PN/class). The shown values refer to austenitic stainless steel 1.4408 (A351 Gr. CF8M).

- 1) For operating temperatures below -10°C low temperature / austenitic steels are required.
- 2) Sleeve: There are different sleeve materials / compounds available.

Materials

Standard body materials

- Carbon Steel 1.0619, ASTM A216 WCB
- Stainless Steel 1.4408, ASTM A351 CF8M
- Stainless Steel 1.4308, ASTM A351 CF8
- Unalloyed stainless steel casting (low Temp.) 1.1138, LCC/LCB/A352

Standard plug materials

- Stainless Steel 1.4408, ASTM A351 CF8M
- Stainless Steel 1.4308, ASTM A351 CF8

Special materials

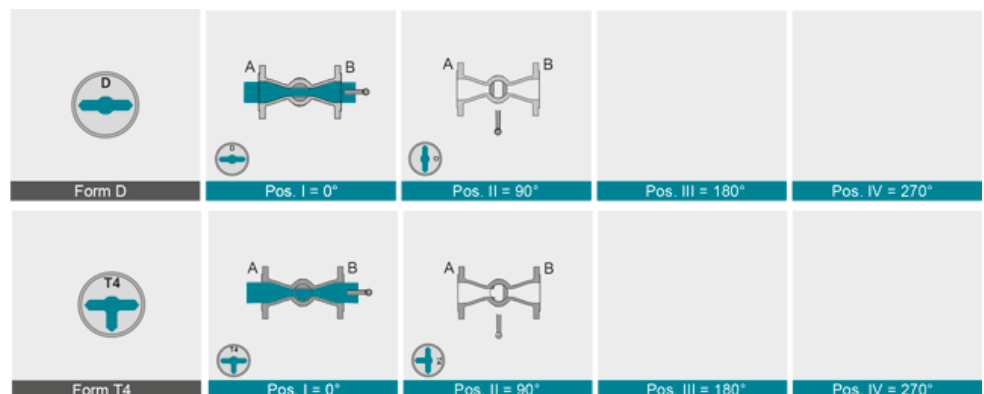
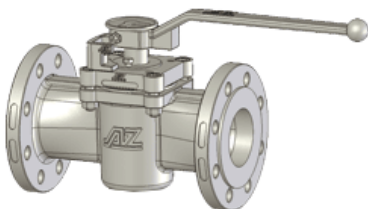
- Ductile cast iron ENJS 1049, ASTM Gr 60-40-18 / A395
- Alloy
- Monel
- Nickel
- Zirconium
- Titan
- Tantal
- other materials on request

Sealing Systems

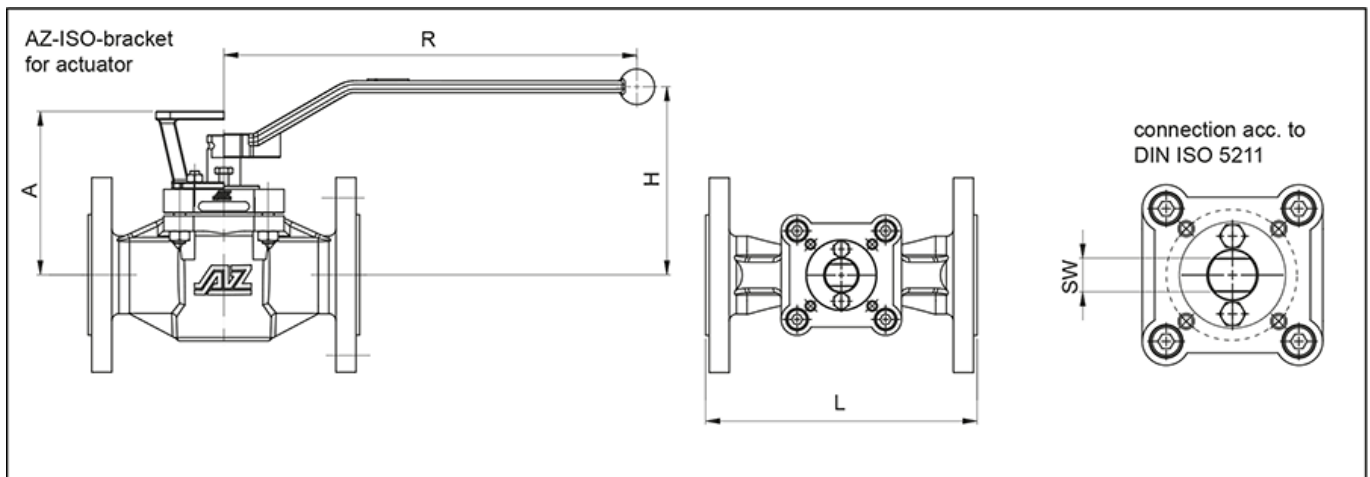
Chemical sealing to prevent fugitive emission of aggressive and toxic media with PTFE packing for additional stem sealing; T_{\max} 230°C

Type CA

Port Forms

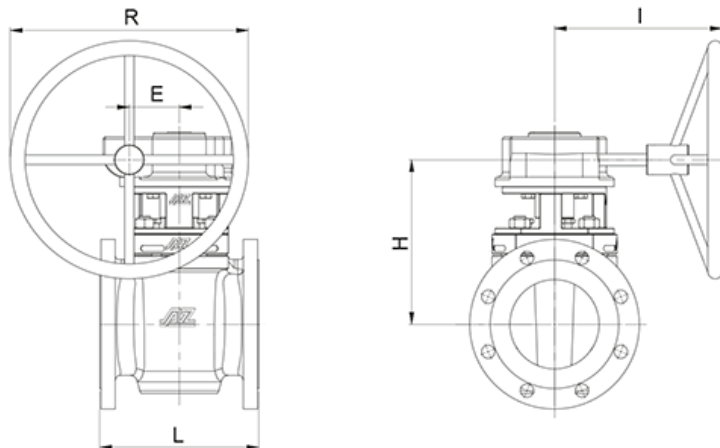


Dimensions



	DN	PN	L	øD	bracket / lever			DIN flange	dihedron	torque* [Nm]	weight [kg]	K _{vs} -value [m³/h]	C _v -value [US.gal/min]
					A	H	R						
DIN EN 1092-1 / 558-1	15	10-40	130	95	88	103	200	F05	11	30	3,8	12	14
	20	10-40	150	105	88	103	200	F05	11	30	4,3	13	15
	25	10-40	160	115	94	109	200	F05	11	30	4,9	25	29
	32	10-40	180	140	102	117	320	F07	14	70	8,6	46	53
	40	10-40	200	150	109	124	320	F07	14	80	9,6	85	98
	50	10-40	230	165	139	159	420	F07	19	120	13,9	160	185
	65	10-16 25-40	290	185	158	165	600	F10	22	200	19,3	262	302
	80	10-40	310	200	158	165	600	F10	22	200	21,4	275	317
	80S	10-40	310	200	173	180	600	F12	22	300	24,6	417	482
	100	10-16 25-40	350	220 235	158	165	600	F10	22	200	24,6	197	228
	100S	10-16 25-40	350	220 235	173	180	600	F12	22	300	28,9	582	673
ASME B 16.5 / 16.10	NPS	class	L	øD	bracket / lever			DIN flange	dihedron	torque* [Nm]	weight [kg]	K _{vs} -value [m³/h]	C _v -value [US.gal/min]
					A	H	R						
	½"	150 300	108 140	90 95	88	103	200	F05	11	30	2,7 3,8	14 13	16 15
	¾"	150 300	117 152	100 115	88	103	200	F05	11	30	3,2 4,3	13 13	16 15
	1"	150 300	127 165	110 125	94	109	200	F05	11	30	3,5 4,9	24 26	28 31
	1¼"	150 300	140 178	115 135	102	117	320	F07	14	70	5,4 8,6	46 46	53 53
	1½"	150 300	165 190	125 155	109	124	320	F07	14	80	7 9,6	78 79	90 92
	2"	150 300	178 216	150 165	139	159	420	F07	19	120	11,8 13,9	145 156	167 180
	2½"	150 300	190 241	180 190	158	165	600	F10	22	200	15,5 19,3	236	273
	3"	150 300	203 282	190 210	158	165	600	F10	22	200	18,2 21,4	225 228	260 264
	4"	150 300	229 305	230 255	158	165	600	F10	22	200	20,3 24,6	169 198	195 229
	4"S	150 300	229 305	230 255	173	180	600	F12	22	300	24,6 28,9	523 542	604 627

* inclusive 100% safety factor for actuators



DIN EN 1092-1 / 588-1

DN	PN	L	E	gear (Pro-Gear)			Typ	DIN flange	dihe-dron	torque* [Nm]	weight [kg]	K _{vs} -value [m ³ /h]	C _v -value [US.gal/min]
				R	H	I							
125	10-16	325	84	400	277	290	Q1500-S	F16	36	900	67	865	1000
	25-40												
150	10-16	350	84	400	277	290	Q1500-S	F16	36	900	77	875	1011
	25-40												
200	10-16	400	96,5	600	320	350	Q3000-S	F16	36	1200	108	1770	2047
	25 40												
250	10 16	450	117,5	600	328	465	Q5000-S	F16	36	1500	177	2788	3223
	25 40												
300	10 16	500	117,5	600	366	465	Q5000-S	F16	36	2600	230	2618	3027
	25 40												
350	10 16	550	137,5	600	460	465	Q6500-S	F25	46	5500	395	5070	5861
	25 40												
400	10 16	600	137,5	600	460	465	Q6500-S	F25	46	5500	411	4694	5426
	25 40												
450	10 16	650	180	600	485	520	Q12000-S	F30	55	6400	611	8065	9323
	25 40												
500	10 16	700	180	600	510	520	Q12000-S	F30	55	7500	655	10260	11862
	25 40												
600	10 16	800	180	600	510	520	Q12000-S	F30	55	7500	681	7980	9226
	25 40												

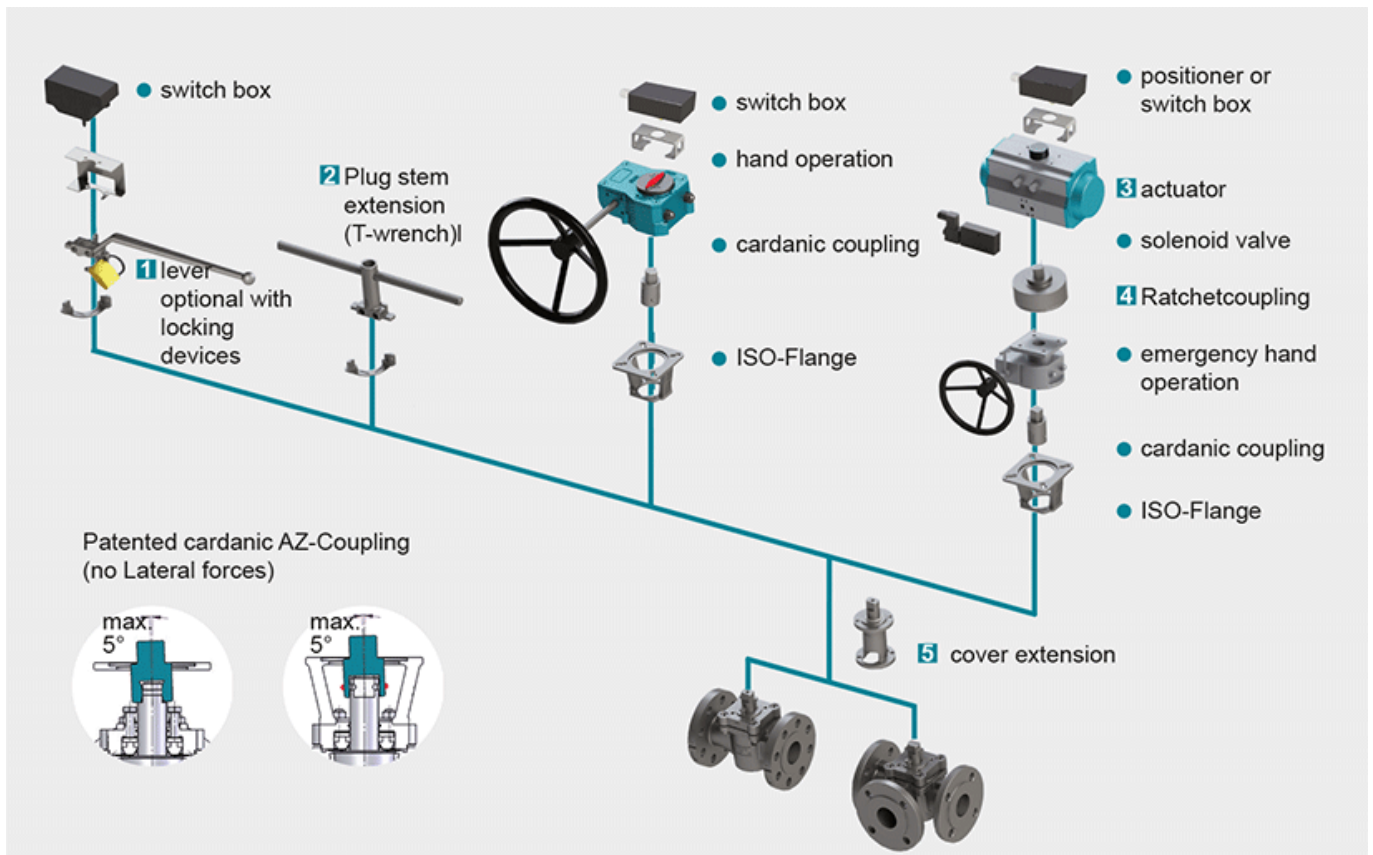
ASME B 16.5 / 16.10

NPS	class	L	E	gear (Pro-Gear)			Typ	DIN flange	dihe-dron	torque* [Nm]	weight [kg]	K _{vs} -value [m ³ /h]	C _v -value [US.gal/min]
				R	H	I							
5"	150	254	84	400	277	290	Q1500-S	F16	27	900	55	738	853
	300	325											
6"	150	267	84	400	277	290	Q1500-S	F16	27	900	60	775	896
	300	403											
8"	150	292	96,5	600	320	350	Q3000-S	F16	36	1200	94	1517	1754
	300	419											
10"	150	330	117,5	600	328	465	Q5000-S	F16	36	1500	127	1978	2286
	300	457											
12"	150	356	117,5	600	366	465	Q5000-S	F16	36	2600	153	2239	2589
	300	502											
14"	150	686	137,5	600	460	465	Q6500-S	F25	46	5500	180	2382	2754
	300	762											
16"	150	864	180	600	485	520	Q12000-S	F30	55	6400	210	2394	2768
	300	914											
18"	150	914	180	600	510	520	Q12000-S	F30	55	7500	246	2448	2830
	300	991											
20"	150	1067	180	600	510	520	Q12000-S	F30	55	7500	246	2394	2768
	300	1143											
24"	150	1067	180	600	510	520	Q12000-S	F30	55	7500	246	2394	2768
	300	1143											

* inclusive 100% safety factor for actuators

For geometric reasons, threads are used in the flange bores in a few cases

Actuation



1 Locking Devices

Pilot valve combinations, pad lock eyelets, linear key conception, indexing plunger arrestor.

2 Plug stem extension

Solid construction in stainless steel with T-wrench, Standard extension 100 mm or 150 mm, non standard lengths are available on request

3 Actuators

Actuators for mounting-flange acc. to DIN ISO 5211

NEW: Pneumatic actuator AIR GEAR for plug valves with high torque ≥ 150.000 Nm

4 Ratched coupling

To usw on multiport valves with standard 90° actuator for bigger switchpositions than 90°

5 Cover extension

Solid construction in stainless steel, Standard extension 100 mm or 150 mm high, non standard lengths are available on request . Hexagonal bolts on adjustment ring freely accessible. Note: Don't use with sealing FSN/FSN-SL and CASN/CASN-SL