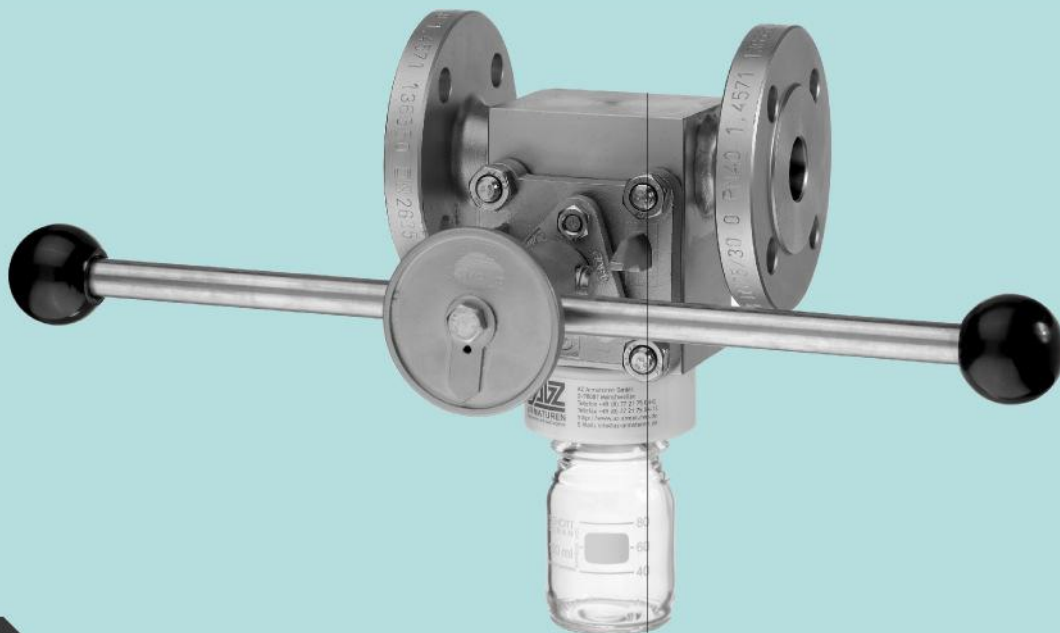


## TYPE “CONTIFLOW-TRF” Sampling-System



5.3.3

- cavity free
- piggable
- maintenance free
- no flow interruption
- simple and foolsafe handling
- pressureless sampling
- sampling in vacuum possible
- defined sample quantity



## Sampling-System

# Type "CONTIFLOW-TRF"

For the first time - with the "CONTIFLOW-TRF" - a sampling system has been constructed which **is piggable and absolutely cavity free**. This was made possible because of the special design of the fully PFA- or PTFE lined plug. Furthermore this construction allows a representative extraction from the process pipe without interruption of flow.

## At a glance

### Advantages

- cavity free
- piggable
- no flow interruption
- simple and safe handling
- pressureless sampling (positive overlap)
- incorrect operation impossible
- defined sample quantity
- individual sampling connection (see leaflet 5.3.1)  
e.g. adapter for laboratory bottle with ISO-thread GL45, needle system, etc.
- easy to repair without special tools

### Technical Data

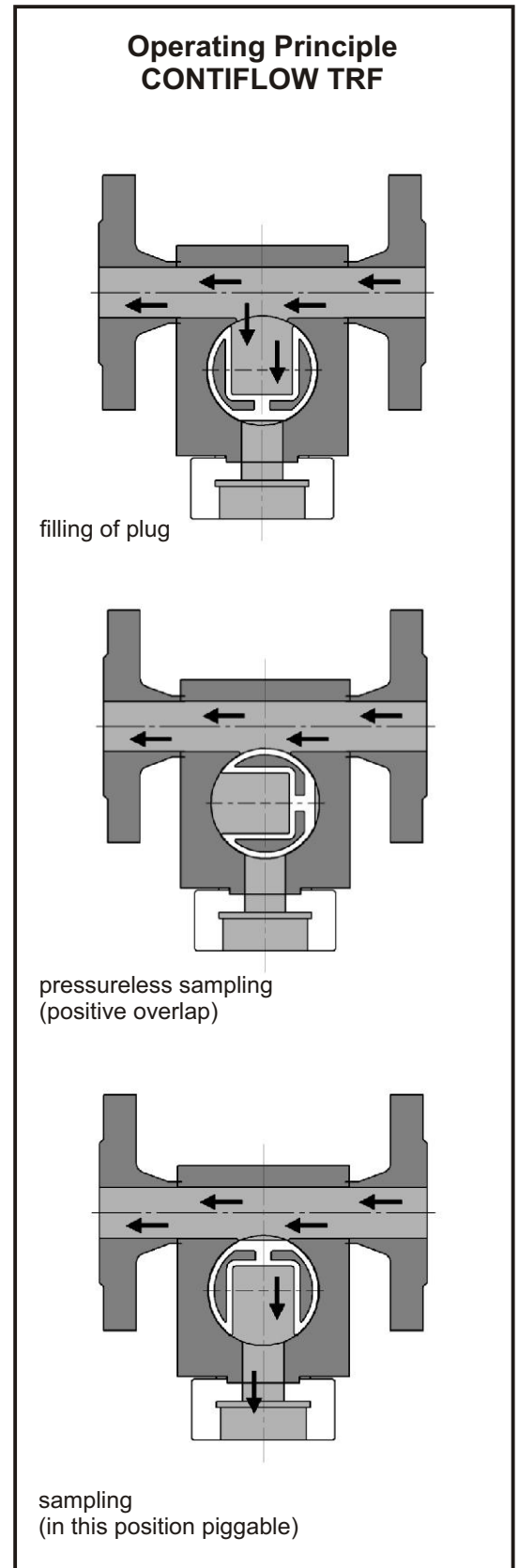
- temperature range -40°C to +200°C
- face to face dimensions acc. to DIN and ANSI
- sizes DN15 - DN100
- body material: 1.4408, 1.4571
- sample quantity all sizes  $V_p = 25\text{ml}$   
(larger quantity on request)

### Options

- heating jacket
- vertical or horizontal design
- block design
- lining materials PFA, PTFE, PFA conductive, FEP, PVDF
- pneumatic, electric or hydraulic actuator

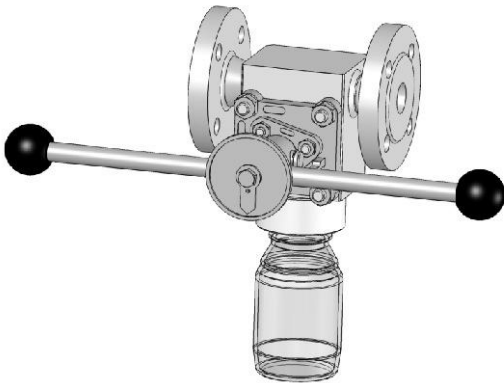
### On request

- special materials such as: Titanium, Monel, Nickel, Hastelloy etc..
- other sizes (DIN, ANSI, JIS, BS) on request





"Contiflow TRF"

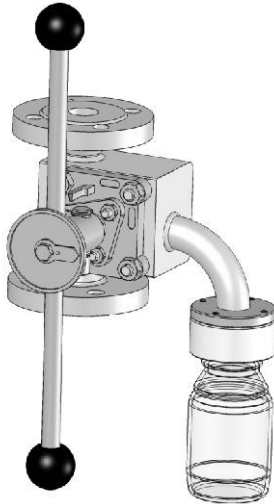


for horizontal use

Available Options:

- PFA lined plug and metal body
- PFA lined plug and PFA lined body
- metal plug and PTFE sleeve
- all versions heated

"Contiflow TRF-V"

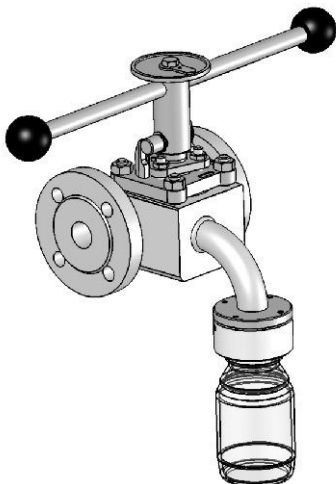


for vertical use

Available Options:

- PFA lined plug and metal body
- metal plug and PTFE sleeve
- all versions heated

"Contiflow TRF-W"



for horizontal sampling

Available Options:

- PFA lined plug and metal body
- metal plug and PTFE sleeve
- all versions heated

Order example:

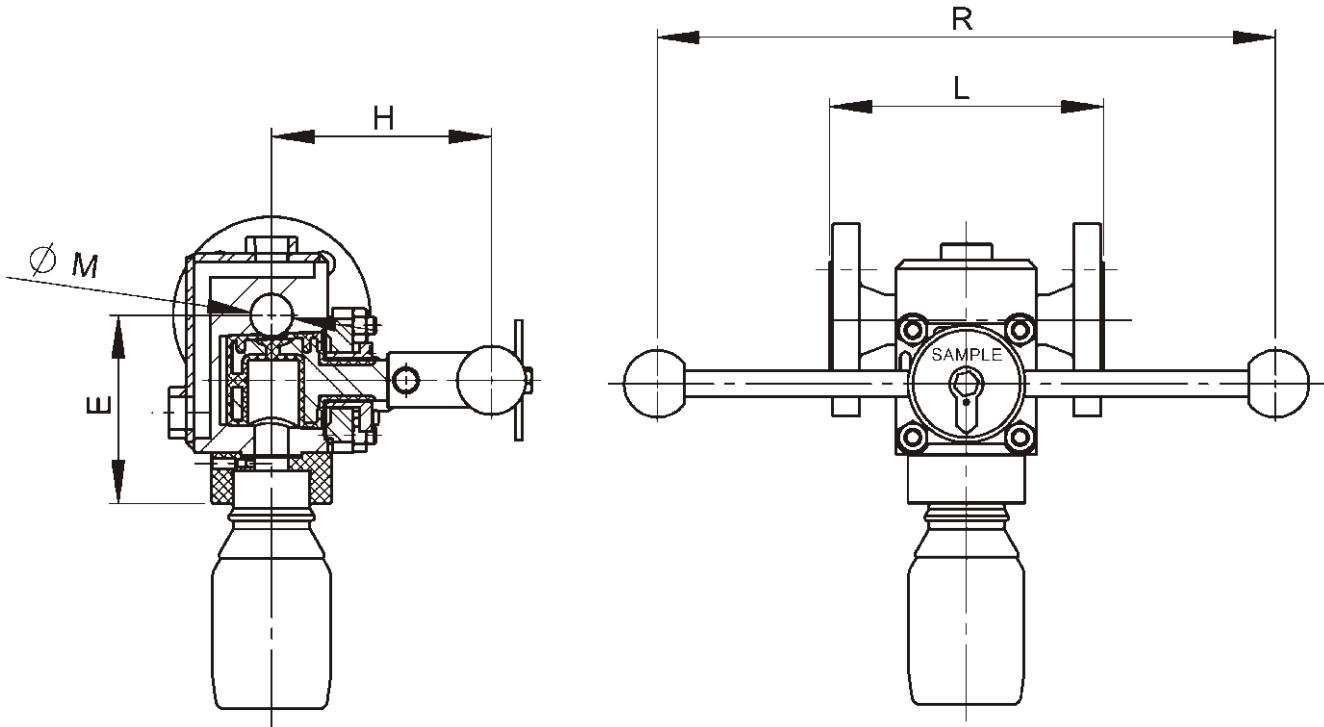
CONTIFLOW-TRF-W-DN25-PN40-1.4571-V<sub>p</sub>=25ml-V<sub>F</sub>=100ml  
CONTIFLOW-TRF-W= sampler type, DN25 = size,  
PN40 = rating, 1.4571 = body material,  
V<sub>p</sub>=25ml = sample quantity, V<sub>F</sub>=100ml = bottle volume

On enquiry / order:  
Please state material  
of body and plug.



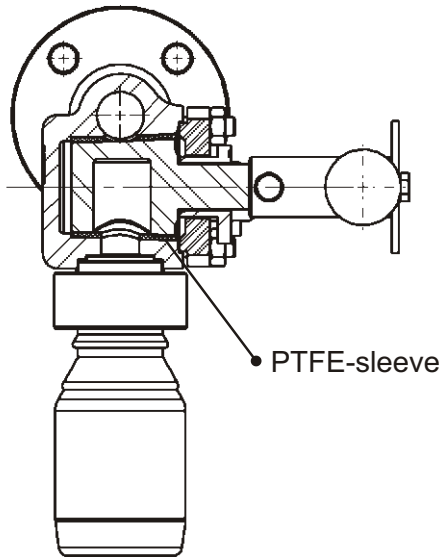
Sampling-System

## Type "CONTIFLOW-TRF"



"Contiflow-TRF" with heating

## Type "CONTIFLOW"



"Contiflow" with PTFE-sleeve

The advantages of Type "Contiflow" are:

- PTFE-sleeve, exchangeable
- metal plug in stainless steel
- sampling volume adaptable
- operating torque  $M_d = 30 \text{ Nm}$
- temperature range  $-40^\circ\text{C}$  to  $+220^\circ\text{C}$

Dimensions Type "CONTIFLOW-TRF"						
DN	PN	ØM	L	H	R	E
15	10-40	17,3	160	128	380	73,5
25	10-40	24,8	160	128	380	111
50	10-40	51,2	230	141,5	465	133
80	10-40	82,5	310	141,5	465	152

Dimensions Type "CONTIFLOW-TRF-V" and "CONTIFLOW-TRF-W" on request.



**AZ-Armaturen GmbH**  
 D-78087 Mönchweiler  
 Waldstraße 7  
 Telefon +49 (0)7721 7504-0  
 Telefax +49 (0)7721 7504-13  
 e-mail: info@az-armaturen.de  
<http://www.az-armaturen.de>