

TYPE "CV"
Butterfly Valve DN25 - DN600 / 1" - 24"



CE

7.2

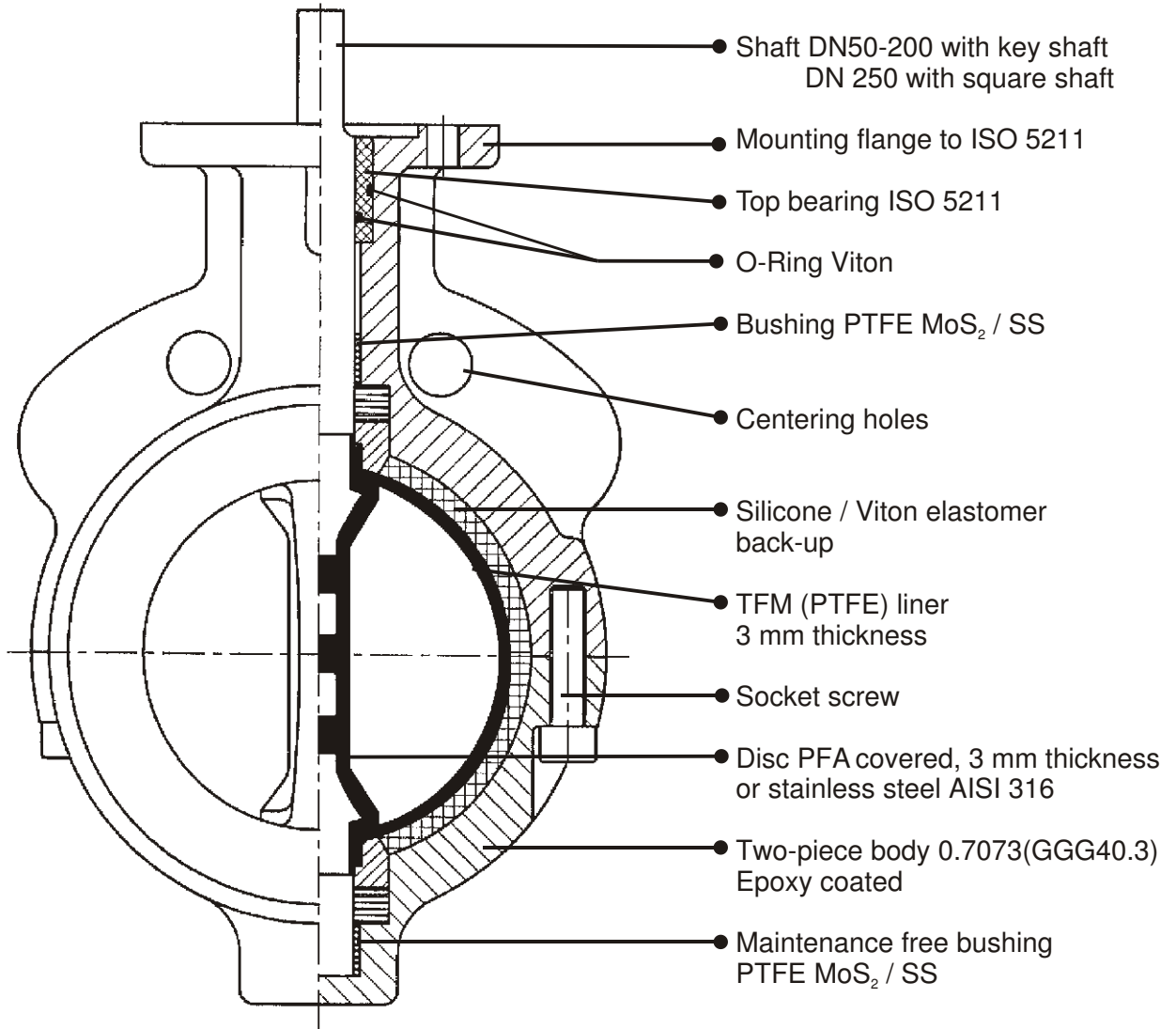
- bubble tight acc. to DIN 3230-Part 3 LR1
- short face to face dim. acc. to DIN und ANSI
- maintenance free
- two piece body
- pressure rating PN10, vakuum 0,1 bar
- body design Lug-type (end valve) or Wafer-type (sandwich)
- DGRL - 97/23/EG



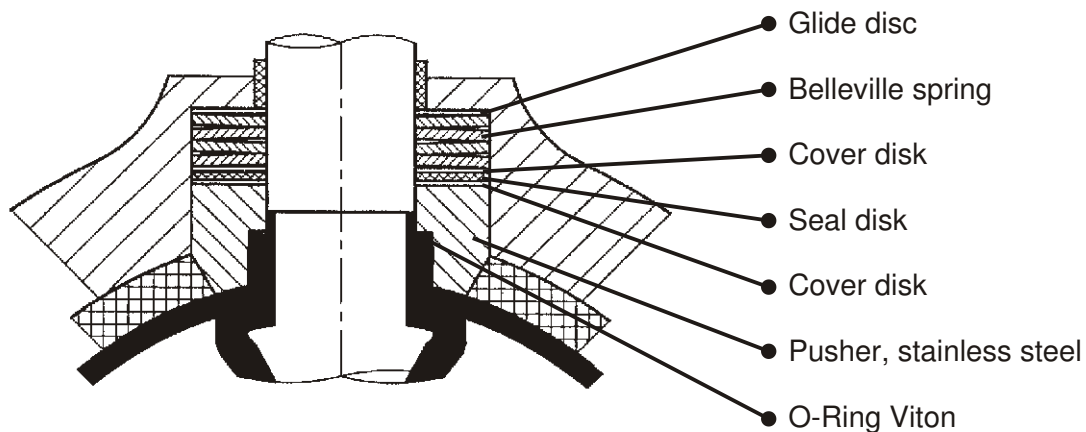
Type "CV"

Butterfly Valve DN25 - DN600 / 1" - 24"

Features



Shaft seal

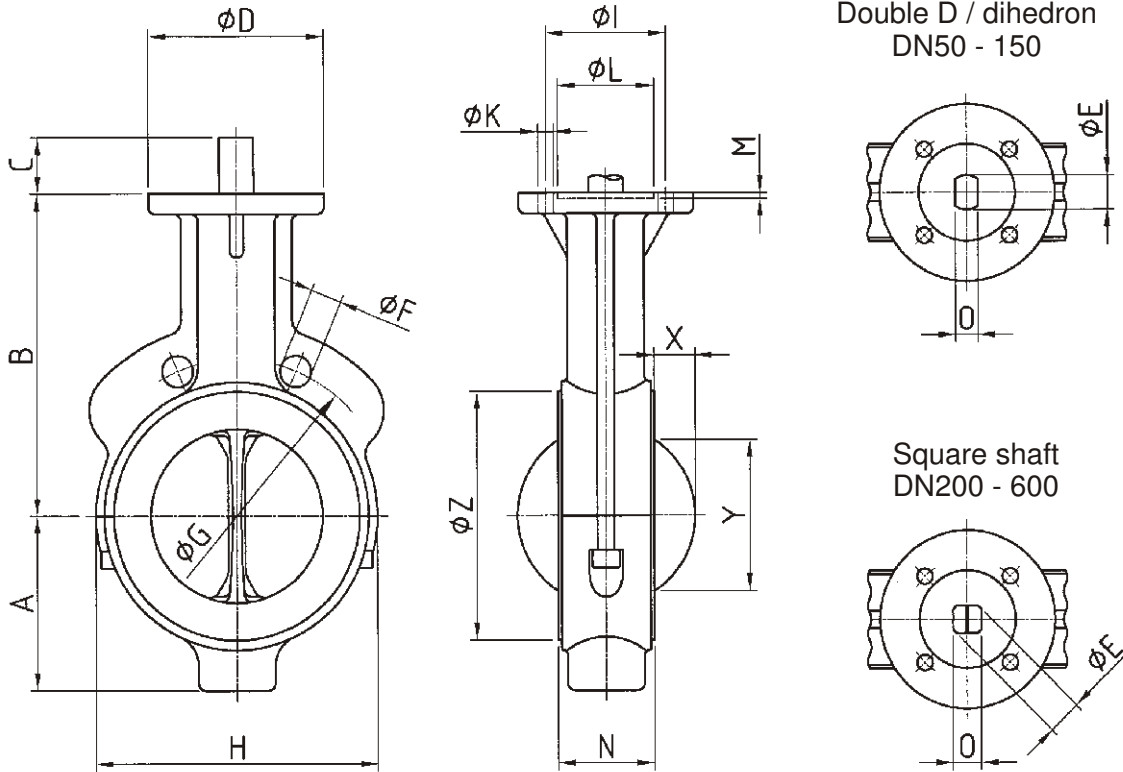




Type "CV"

Butterfly Valve DN25 - DN600 / 1" - 24"

Wafer PN10 / ANSI 150lbs
DN25 - 600 / DN 1" - 24"



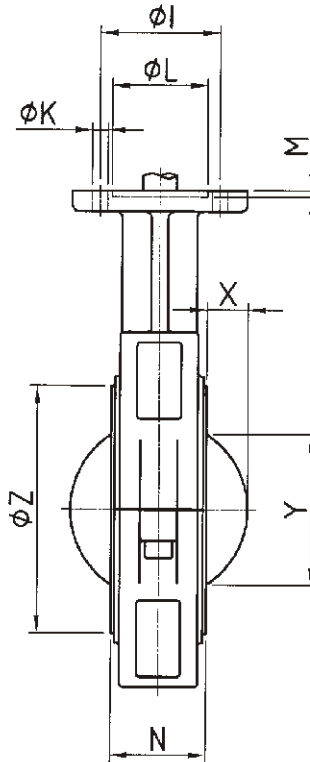
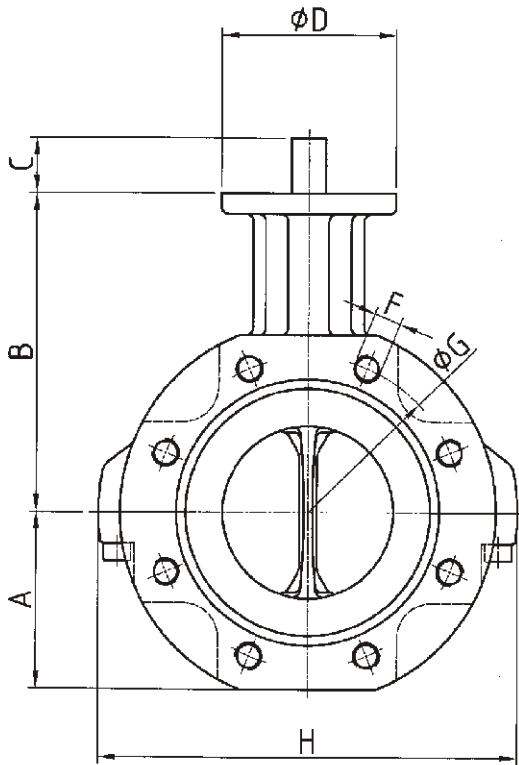
DN	Inch	A	B	C	øD	øE	PN 10		ANSI 150 lbs		H	øI	øK	øL	M	ISO	N	O	X	Y	Z
							F	øG	F	øG											
25	1"	36	80	19	65	10	-	-	-	-	71	50	7	36	3.5	F05	33	7	-	-	-
32	1½"	41	92	19	65	10	-	-	-	-	82	50	7	36	3.5	F05	33	7	-	-	-
40	1½"	46	95	19	65	10	-	-	-	-	92	50	7	36	3.5	F05	33	7	-	-	-
50	2"	56	130	19	102	14	2 x 18	125	2 x 18	120.8	104	70	9	56	3.5	F07	43	11	6	31	85
65	2½"	67	146	19	102	14	2 x 18	145	2 x 18	139.7	128	70	9	56	3.5	F07	46	11	11	48	106
80	3"	84	165	19	102	14	2 x 18	160	2 x 18	152.4	144	70	9	56	3.5	F07	46	11	17	63	122
100	4"	100	185	25	102	18	2 x 18	180	2 x 18	190.5	164	70	9	56	3.5	F07	52	14	27	90	143
125	5"	110	202	25	102	18	2 x 18	210	2 x 21	215.9	184	70	9	56	3.5	F07	56	14	38	118	166
150	6"	125	217	30	102	22	2 x 22	240	2 x 21	241.3	220	70	9	56	3.5	F07	56	17	47	137	193
200	8"	158	245	26	152	24	2 x 22	295	2 x 21	298.4	274	102	11	71	3.5	F10	60	19	71	189	251
250	10"	190	270	30	152	28	2 x 22	350	2 x 25	361.9	330	102	11	71	3.5	F10	68	22	92	239	301
300	12"	225	308	30	152	28	2 x 22	400	2 x 25	431.8	380	102	11	71	3.5	F10	78	22	112	290	349
350	-	256	330	37	152	35	4 x 23	460	-	-	433	125	13	87	3.5	F12	92	27	-	-	-
400	-	292	365	37	152	35	4 x 27	515	-	-	484	125	13	87	3.5	F12	102	27	-	-	-
450	-	311	400	50	175	47	4 x 27	565	-	-	534	140	17	102	4.5	F14	114	36	-	-	-
500	-	340	435	50	175	47	4 x 27	620	-	-	589	140	17	102	4.5	F14	127	36	-	-	-
600	-	398	510	64	210	58	4 x 30	725	-	-	691	165	21	132	5.5	F16	154	46	-	-	-



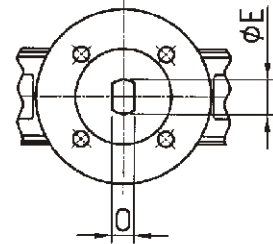
Type "CV"

Butterfly Valve DN25 - DN600 / 1" - 24"

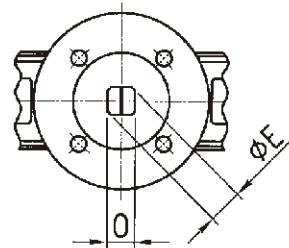
Lug type PN10 / ANSI 150lbs
DN25 - 600 / DN 1" - 24"



Double D / dihedron
DN50 - 150



Square shaft
DN200 - 600



DN	Inch	A	B	C	øD	øE	PN 10 F	øG	ANSI 150 lbs F	H	øI	øK	øL	M	ISO	N	O	X	Y	Z	
25	1"	54	80	19	65	10	4xM12	85	4x1/2"	79.4	109	50	7	36	3.5	F05	33	7	1.5	16	62
32	1 1/4"	65	92	19	65	10	4xM16	100	4x1/2"	88.9	132	50	7	36	3.5	F05	33	7	4	23	66
40	1 1/2"	70	95	19	65	10	4xM16	110	4x1/2"	98.4	142	50	7	36	3.5	F05	33	7	7	34	76
50	2"	58	130	19	102	14	4xM16	125	4x3/8"	120.6	153	70	9	56	3.5	F07	43	11	6	31	85
65	2 1/2"	65	146	19	102	14	4xM16	145	4x1/8"	139.7	173	70	9	56	3.5	F07	46	11	11	48	106
80	3"	88	165	19	102	14	8xM16	160	4x5/8"	152.4	210	70	9	56	3.5	F07	46	11	17	63	122
100	4"	102	185	25	102	18	8xM16	180	8x5/8"	190.5	245	70	9	56	3.5	F07	52	14	27	90	143
125	5"	116	202	25	102	18	8xM16	210	8x3/4"	215.9	272	70	9	56	3.5	F07	56	14	38	118	166
150	6"	127	217	30	102	22	8xM20	240	8x3/4"	241.3	295	70	9	56	3.5	F07	56	17	47	137	193
200	8"	160	245	26	152	24	8xM20	295	8x3/4"	298.4	364	102	11	71	3.5	F10	60	19	71	189	251
250	10"	193	270	30	152	28	12xM20	350	12x7/8"	361.9	431	102	11	71	3.5	F10	68	22	92	239	301
300	12"	227	308	30	152	28	12xM20	400	12x7/8"	431.8	511	102	11	71	3.5	F10	78	22	112	290	348
350	14"	256	330	37	152	35	16xM20	460	12x1"	476.2	571	125	13	87	3.5	F12	92	27	125	328	414
400	16"	292	365	37	152	35	16xM24	515	16x1"	539.7	643	125	13	87	3.5	F12	102	27	146	377	460
450	18"	311	400	50	175	47	20xM24	565	16x1 1/8"	577.8	684	140	17	102	4.5	F14	114	36	164	417	515
500	20"	340	435	50	175	47	20xM24	620	20x1 1/8"	635.0	745	140	17	102	4.5	F14	127	36	184	477	570
600	24"	398	510	64	210	58	20xM27	725	20x1 1/2"	749.3	863	165	21	131	5.5	F16	154	46	215	560	672



Type "CV"

Butterfly Valve DN25 - DN600 / 1" - 24"

Butterfly Valve Butterfly Valves are designed on many years of worldwide experience. The Butterfly Valve is absolutely leakage free when using corrosive fluids, hot chemicals and abrasive products. The high quality standard of our Butterfly Valves guarantees safety and a long-term performance, even under extreme conditions of corrosion, abrasion and temperature fluctuation. Butterfly Valves are suitable for blocking, controlling and regulating of liquids, pastes and pulverized products. For use in pipes, containers and in a variety of other equipment. The application range from chemical-, pharmaceutical and petroleum industries to foodstuff-production, water processing and agricultural industries.

Design The Butterfly Valve is built on the principle of the concentric soft-seal valves. The construction-system allows an ideal combination of disc, liner and body.

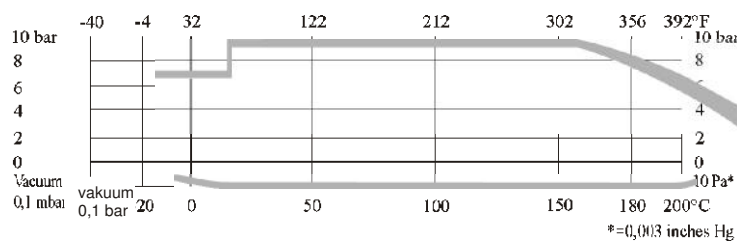
Characteristic A leakage free stem seal were it's Belleville spring washers give a constant pressure on liner and disc, working like a mechanical seal. The liner and pusher show the same radius as the disc, this guarantees a long life. The bodies are coated with a two component epoxy paint that affords a high protection against atmospheric waste.

Each single valve is tested acc. DIN 3230-Part3, AA, AB, AC, AD, AE, AP, BA, BN1. Every valve is bubble tight.

An inspection certificate acc. EN 10204-2.2 or a material certificate acc. EN 10204-3.1B can be issued upon request.

Technical data
Technical data Sizes: DN 25 up to DN 1050
Pressure range: 10 bar (vacuum 0,1bar)
Face to face dimension: EN 558-1, directive 20
Tagging: EN 19
Temperature range: -20°C up to + 200°C see diagram below

Temperature pressure diagram



Torque PFA/TFM - SST/TFM			DN25 - 600
DN	Inches	brake away torque (Nm)	max. torque for shaft (shaft 1.4581 / 1.4535 / 1.4301)
25	1"	10	25
32	1 1/4"	12	25
40	1 1/2"	15	25
50	2"	30	61
65	2 1/2"	35	61
80	3"	45	61
100	4"	60	179
125	5"	80	179
150	6"	110	309
200	8"	190	309
250	10"	300	604
300	12"	400	604
350	14"	450	1200
400	16"	500	1600
450	18"	600	1950
500	20"	650	2400
600	24"	750	3200



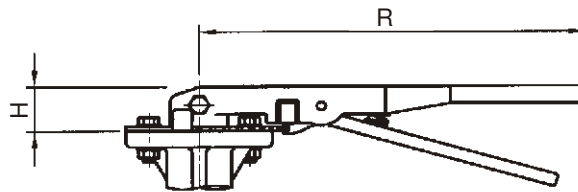
Type "CV"

Butterfly Valve DN25 - DN600 / 1" - 24"

Rate of flow data KV

Butterfly Valves kv - values		
DN	with PFA - disc	with steel - disc
50	128	138
65	190	205
80	345	360
100	485	510
125	760	800
150	1.205	1.260
200	2.060	2.160
250	3.325	3.500
300	4.850	5.100
350	6.750	7.300
400	8.650	9.280
450	10.600	11.450
500	13.000	14.100
600	20.100	21.800

Hand-lever



Lever	DN25 - 40	DN50 - 150	DN200 - 300
upper part	Alu/Epoxy	GGG40/Epoxy	GGG40/Epoxy
lower part	Alu/Epoxy	GGG40/Epoxy	GGG40/Epoxy
stop disc	Stainless Steel	Stainless Steel	Stainless Steel
spring	Stainless Steel	Stainless Steel	Stainless Steel
norm parts	Stainless Steel	Stainless Steel	Stainless Steel
H	20	32	32
R	180	260	350

Coding system

Style	Disc	Liner	Back-up	Body	Standard	Flange
W – Wafer	P – PFA	T – TFM (PTFE)	S – Silikon	A – Aluminium/Epoxy	D – DIN	1 – PN 10
E – Endvalve	C – PFAC cond.	C – TFM cond.	V – Viton	G – GGG40.3/Epoxy	A – ANSI	2 – PN 16
	S – Stainless steel	(PTFE-AS)	E – EPDM	S – Stainless steel		1 – 150 lbs
	S – Stainless steel polished	U – UHMPE		C – Carbon steel		
	T – Titanium					
	H – Hastelloy					
	E – Halar E-CTFE					

Ordering example: CV-W-PTSG-100-D1
 CV=Butterfly valve, W=Wafer
 P=Disc PFA, T=Liner TFM (PTFE),
 S=Back up Silikon, G=Body GGG40.3,
 100=DN100, D=DIN, 1=PN10



AZ-Armaturen GmbH
 D-78087 Mönchweiler
 Waldstraße 7
 Telefon +49 (0)7721 7504-0
 Telefax +49 (0)7721 7504-13
 e-mail: info@az-armaturen.de
<http://www.az-armaturen.de>