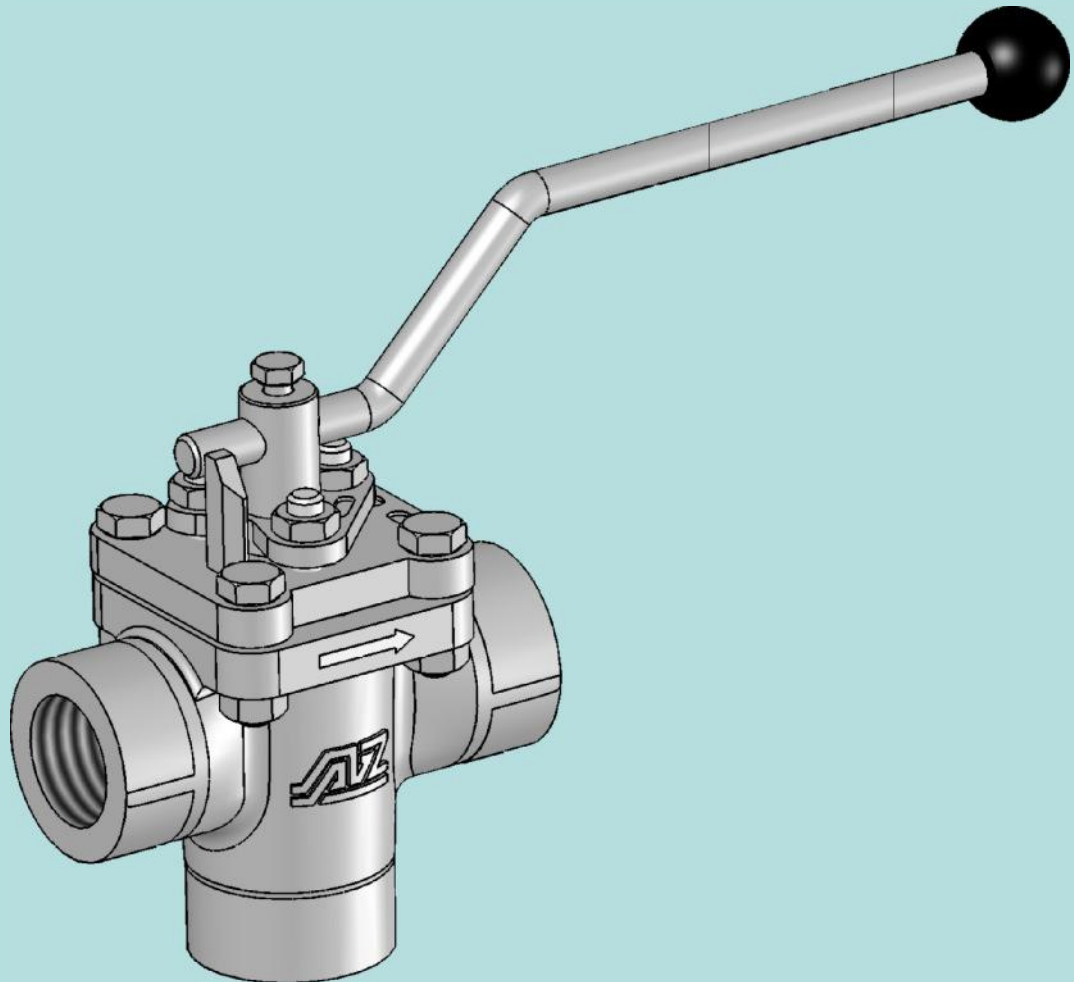


Type: "BMH"
Special Valve for safe flushing of Pipe Systems



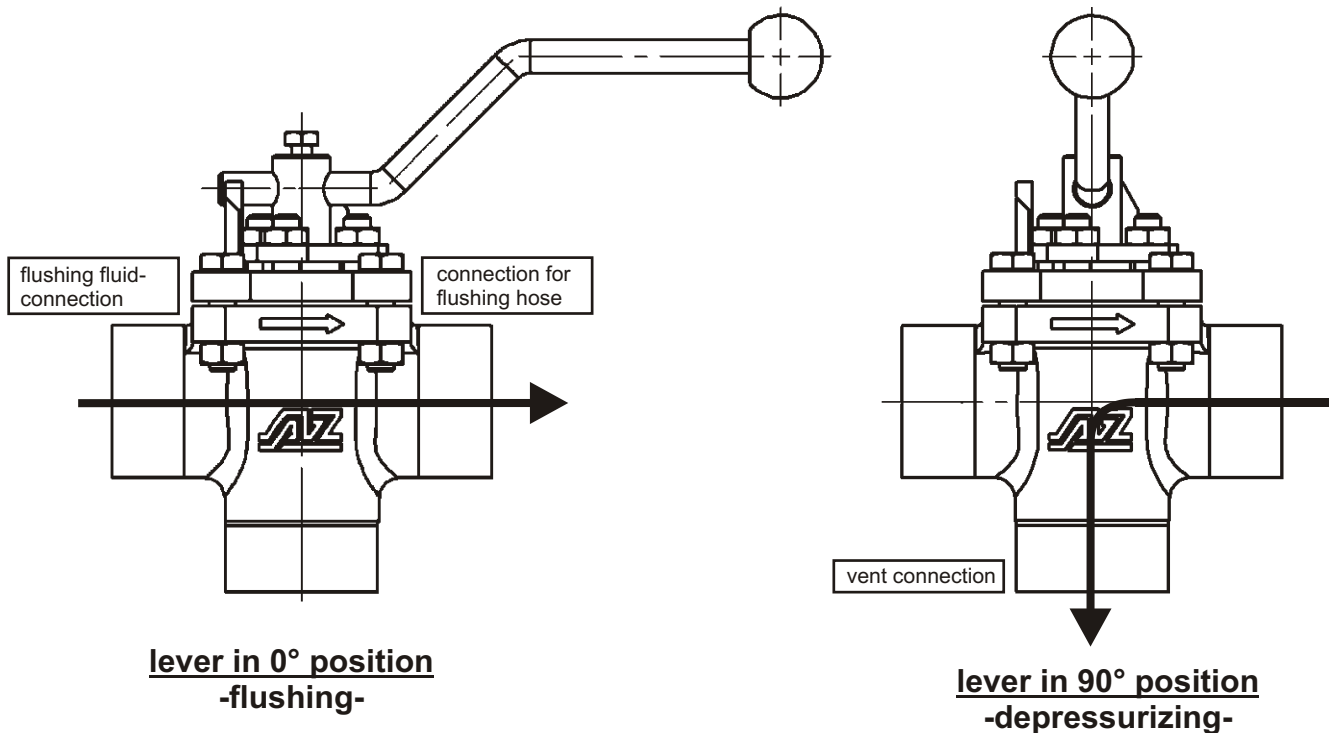
5.7

- cavity free
- maintenance free - self lubricating
- safe operating
- easy depressurizing of the flushing hose
- defined plug position
- space-saving design
- connections: threaded or flanged
- TA-Luft / VDI 2440



Type "BMH"

Special Valve for safe flushing of Pipe Systems



Pipe Systems in chemical and petrochemical plants are usually purged with flushing fluids such as **water, steam, air or nitrogen**. After the flushing process a safe depressurizing is necessary. For this purpose AZ developed the type "BMH" with features easy and simple in operation:

The special plug form, with positive overlap, allows during the quarter turn to close the flushing fluid supply and then to depressurize the flushing hose automatically.

This ensures maximum safety for operators and environment. The valve is conform to TA-Luft.

Operating Procedure:

Lever 0° position: valve open (flushing).

Lever 90° position: valve closed and at the same time the flushing hose is depressurized systematically.

Due to the positive overlap of the plug the flushing hose will be depressurized after the valve is closed!

Connections:

Standard: MG-3-1"-150

NPT or metric thread as well as flanges acc. to DIN or ANSI. Also combinations of both are possible.

Other sizes and connections on request.

Materials:

Body: GS-C25 or 1.4408

Plug: 1.4408

Sealing: PTFE

other materials on request

Order Sample: MG-3-1"-150-1.4408-BMH

MG = cast threaded valve, 3 = three way

1" = size, 150 = ANSI Class, 1.4408 =

body material BMH = Betriebsmittelarmatur



AZ-Armaturen GmbH

D-78087 Mönchweiler

Waldstraße 7

Telefon +49 (0)7721 7504-0

Telefax +49 (0)7721 7504-13

e-mail: info@az-armaturen.de

<http://www.az-armaturen.de>